

PCE-5B06-04A1E Backplane: 6-slot BP for 6 slot Chassis, 1 PICMIG 1.3, 1 PCIe, 4 32-bit PCI

4 32-bit PCI
PCE-5B06-04A1E Backplane: 6-slot BP for 6 slot Chassis, 1 PICMIG 1.3, 1 PCIe,

Before you begin installing your card, please make sure that the following materials have been shipped:

- 2 Two Port USB Cable p/n: 1700002204
- PCE-5B06-04A1E User Manual 1st. ED p/n: 200K5B0600
- M4*6*0.7 Round Screws [15 pcs.] p/n: 1939000410
- 2 years quality warranty card p/n: 2190000902

If any PCE-5B06-04A1E of these items are missing or damaged, contact your distributor or sales representative immediately.

Standard Functions

- **PICMIG 1.3 slots:**
PCE-5B06 supports PCE-5xxx CPU boards
- **PCIe slots:**
PCE-5B06 Supports one PCIe x16 slot
- **32-bit PCI:**
Four 32 Bit / 33MHz PCI slot
- **USB (2.0) support:** Four USB 2.0 port pin headers

Mechanical and Environment:

- Dimensions: 327.66 x 142.17 mm
- Power supply voltage: +12V, +5V, -12V, -5V, +3.3V, +5VSBY
- Power requirements: Refer to the CPU Board , add-on Card & Peripherals
- Operating temperature: 0 ~ 60°C
- Weight: 0.3kg (weight of board)

For more information on this and other Advantech products, please visit our website at:

<http://www.advantech.com>

<http://www.advantech.com/eplatform>

For technical support and service, please visit our support website at:

<http://www.advantech.com/support>

This manual is for the PCE-5B06-04A1E series Rev. A1.

Part No. 200K5B0600
Printed in China

1st. Edition
Jul 2006

1. Connectors and Jumpers

The backplane has a number of connectors and jumpers that allow you to configure your system to suit your application. The table below lists the function of each of the connectors and jumpers.

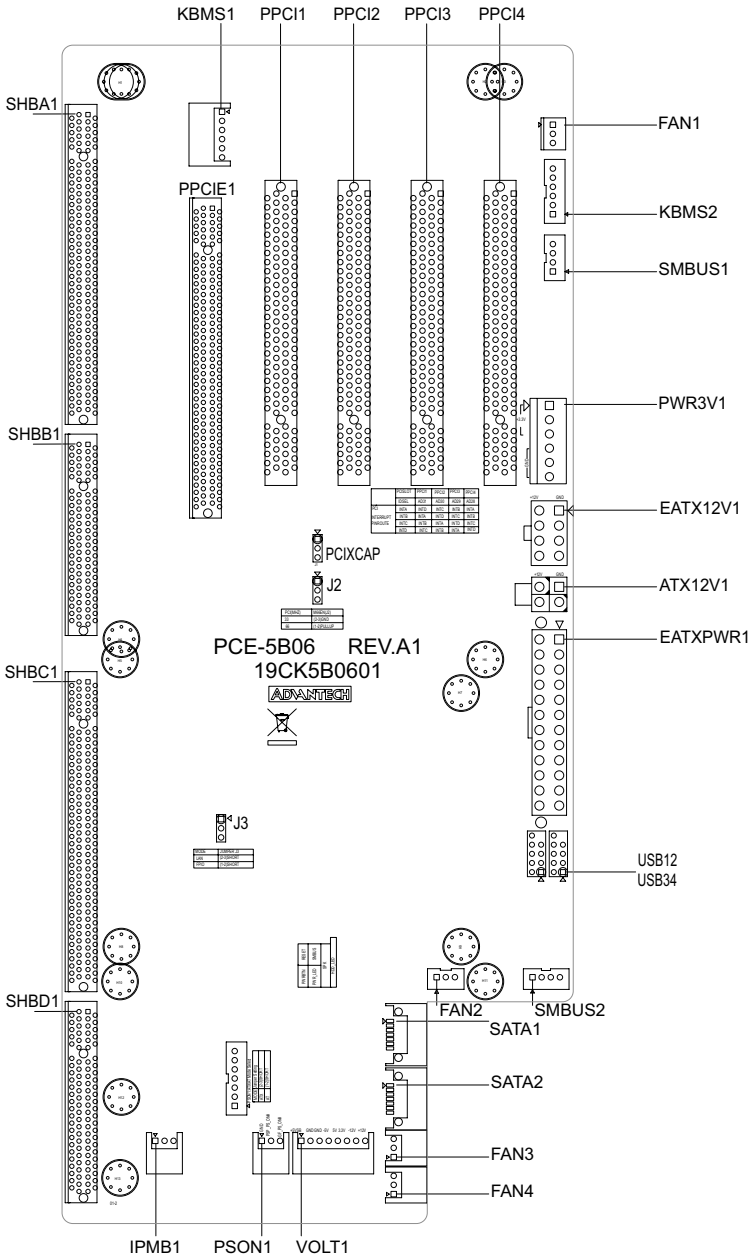
Connectors

Part Reference	Function
SHBA1~SHBD1	PICMG 1.3 CPU board slot
PPCIE1	PCIe x16 slot
PPC1~PPC4	32 Bit / 33MHz PCI Bus Slot (Primary 3)
EATXPWR1	ATX2.0 24-Pin Power connector
ATX12V1	ATX 12V 4-pin power connector
EATX12V1	ATX 12V Auxiliary 8-pin power connector
PWR3V1	3.3V Auxiliary power connector
VOLT1	Alarm board/CMM Power connector.
FAN1	FAN Connector
FAN2	FAN Connector
FAN3	FAN Connector
FAN4	FAN Connector
FANDEC1	Fan speed detector connector
SMBUS1	SMBus connector for chassis monitor
SMBUS2	SMBus connector for chassis monitor
KBMS1	External Keyboard/Mouse Connector
KBMS2	External Keyboard/Mouse Connector
JFP1	Power and Reset Button connector
IPMB1	IPMB Connector
USB12	Two USB port pin header
USB34	Two USB port pin header

Jumpers

Part Reference	Function
PSOIN1	ATX/AT mode selection

2. Board Layout



Board Layout: Jumper and Connector Locations

3. Connector Pin Definitions

EATXPWER1

Pin	Name
1	3.3V
2	3.3V
3	GND
4	5V
5	GND
6	5V
7	GND
8	Power OK
9	5VSBY
10	12V
11	12V
12	3.3V
13	3.3V
14	-12V
15	GND
16	PSON#
17	GND
18	GND
19	GND
20	-5V
21	-5V
22	5V
23	5V
24	GND

ATX12V1

Pin	Name
1	GND
2	GND
3	12V
4	12V

EATX12V1

Pin	Name
1	GND
2	GND
3	GND
4	GND
5	12V
6	12V
7	12V
8	12V

PWR3V1

Pin	Name
1	3.3V
2	3.3V
3	3.3V
4	GND
5	GND
6	GND

VOLT1

Pin	Name
1	5VSBY
2	GND
3	GND
4	-5V
5	5V
6	3.3V
7	-12V
8	12V

FAN1 - FAN4

Pin	Name
1	GND
2	12V
3	FANIO1~FANIO4

FANDEC1

Pin	Name
1	FANIO1
2	FANIO2
3	FANIO3
4	FANIO4
5	N/A
6	N/A
7	N/A

3. Connector Pin Definitions (cont.)

SMBUS1 ~ SMBUS2

Pin	Name
1	5V
2	C-SMBBUS
3	C-SMBDAT
4	GND

KBMS1 ~ KBMS2

Pin	Name
1	KBCLK
2	KBDAT
3	MSDAT
4	GND
5	5V
6	MS_CLK

IPMB1

Pin	Name
1	IPMB_CLK
2	IPMB_DAT
3	GND

USB12

Pin	Name
1	USBV0
2	USBV0
3	USBD0-
4	USBD1-
5	USBD0+
6	USBD1+
7	GND
8	GND
9	Null
10	GND

USB34

Pin	Name
1	USBV2
2	USBV2
3	USBD2-
4	USBD3-
5	USBD2+
6	USBD3+
7	GND
8	GND
9	Null
10	GND

JFP1

Pin	Name
1	PWRBTN
2	PWRBTN
3	RESET
4	RESET

4. PCI Routing Tables

PCI 32-bit

	PCI Slot	PPCI1	PPCI2	PPCI3	PPCI4
PCI	IDSEL	AD 31	AD 30	AD 29	AD28
Interrupt	INTA	INTD	INT C	INT B	INT A
Pin	INTB	INTA	INT D	INT C	INT B
Route	INTC	INTB	INT A	INT D	INT C
	INTD	INTC	INT B	INT A	INT D

5. Jumper Settings

PS0N1: ATX/AT Mode Selection

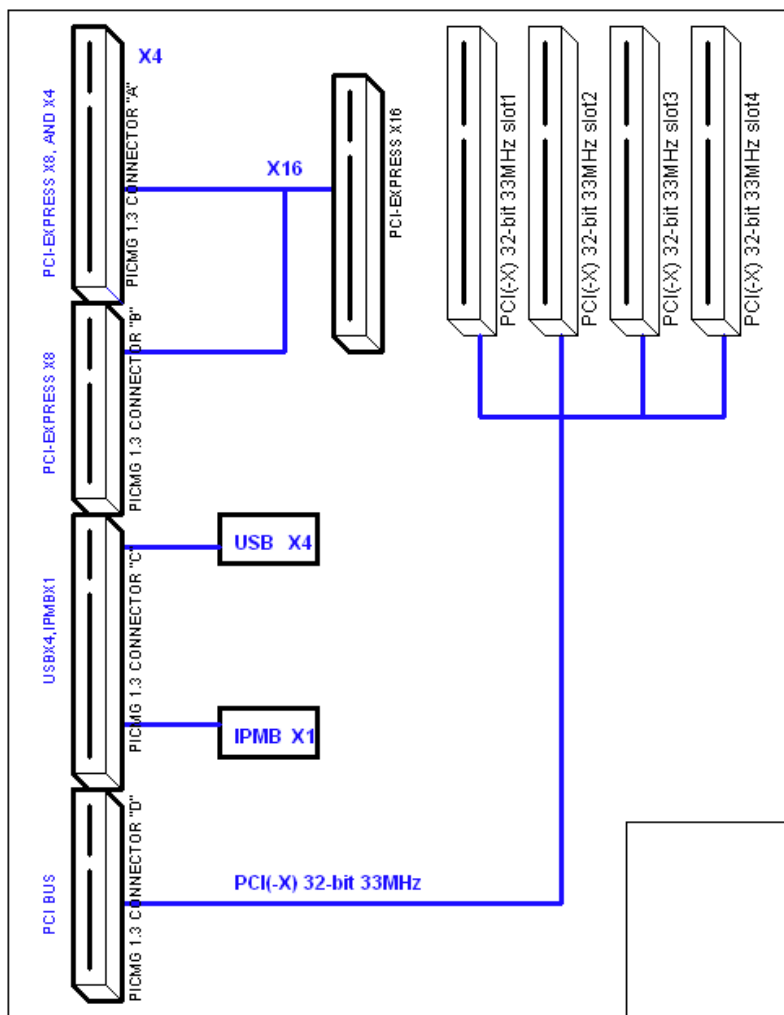
Jumper Setting	Function
1 - 2 closed pins	AT mode



2 - 3 closed pins	ATX mode (default)
-------------------	--------------------



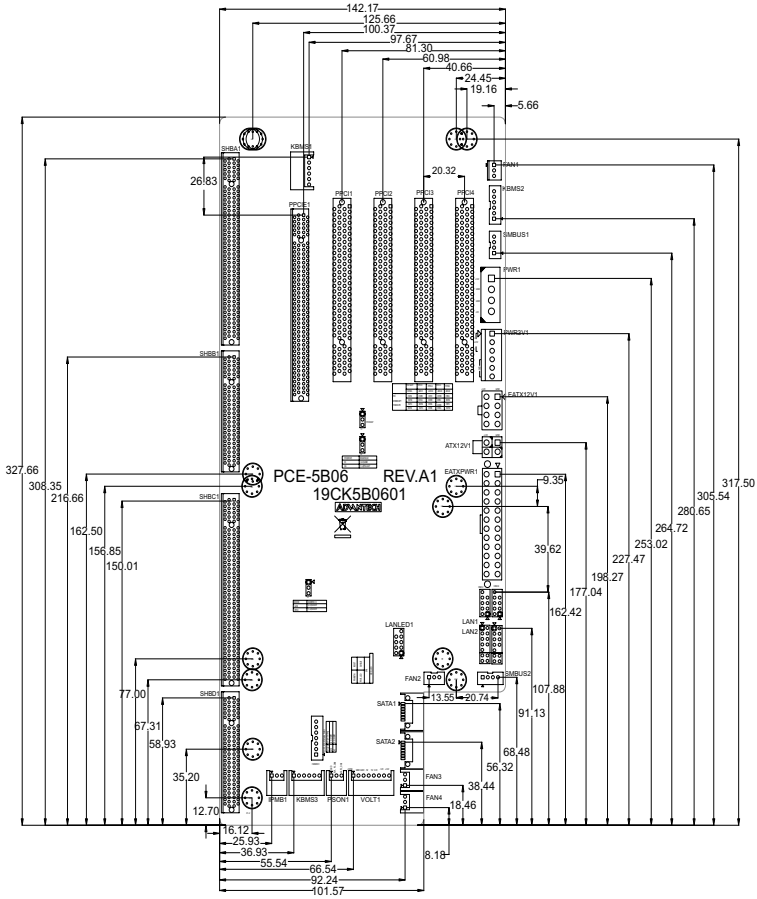
6. Board Diagram



PICMG_v1.3 BACKPLANE

Board Diagram

7. Board Dimensions



Board Dimensions (mm)