

PCA-AUDIO-HDB1E Audio Extension Module PCE-SA01 I/O Extension Stack Board Startup Manual

Packing List

Before you begin installing your card, please make sure that the following items have been shipped:

PCA-AUDIO-HDB1E:

1. PCA-AUDIO-HDB1E Audio Extension Module x 1
2. HD Audio Cable x 1
3. 2 years quality warranty card x 1
4. Startup manual x 1

PCE-SA01:

1. PCE-SA01 I/O extension stack board x 1
2. Cooper stand-off x 2
3. Screw for cooper stand-off x 4
4. 2 years quality warranty card x 1
5. Startup manual x 1

If any of these items are missing or damaged, please contact your distributor or sales representative immediately.

Specifications

Mechanical

• Dimensions:

- PCA-AUDIO-HDB1E: 68 mm x 125 mm
- PCE-SA01: 68 mm x 125 mm

Support models

- **PCA-AUDIO-HDB1E:** PCE-3029, PCE-4129, PCE-5029, PCE-5129, PCE-7129
- **PCE-SA01:** PCE-3029, PCE-4129

Note: For more SBC support list, please visit our website.

For more information on this and other Advantech products, please visit our website at:

<http://www.advantech.com>

<http://www.advantech.com/eplatform>

For technical support and service, please visit our support website at:

<http://support.advantech.com>

This manual is for the PCA-AUDIO-HDB1E/ PCE-SA01 Series.

Part No. 2006SA0100

Print in China

1st Edition
December 2015

Jumpers and Connectors

PCA-AUDIO-HDB1E

Label	Function	Rear Jack Color
LINEO1	Line-out connector	Green
MIC1	MIC-in connector	Pink
LINEI1	Line-in connector	Blue
SURR1	Surround-out connector	Green
SPKO1	Speak-out	Green
SPDIO1	S/PDIF pin-header	
PWR1	Power connector	
HDAUD1	Audio extension module pin-header	

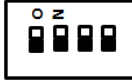
PCE-SA01

Label	Function	Rear Jack Color
LINEO1	Line-out port	Green
MIC1	MIC-in port	Pink
DP2	Display port	
USB1	USB3.0 port	
USB2	USB3.0 port	
SPDIO1	S/PDIF pin-header	
MINIPCIE1	mini-PCIe socket	
SIM1	SIM socket	
PH_USB1	USB pin-header	
PH_USB2	USB pin-header	
LPC1	Low pin count module expansion pin-header	
EXPCIE1	mini-PCIe connector to CPU card	
PH_DP2	Display pin-header	
HDAUD1	Audio extension module connector	

Jumpers and Connectors (Cont.)

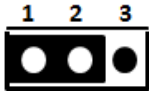
SWA1: MiniPCle V1.1, V1.2 Selection

ON/OFF	Result
1~4 ON	V1.2 (Default)
1~4 OFF	V1.1



JMINIPCI1: MiniPCle V1.1, V1.2 Selection

Closed Pins	Result
1-2 pins Short	V1.2 (Default)
2-3 pins Short	V1.1



Installation Guide

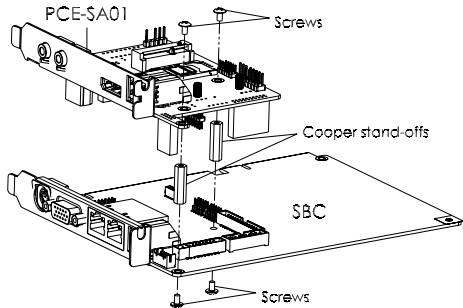


Figure 1: PCE-SA01 Installation Guide

Board Layout

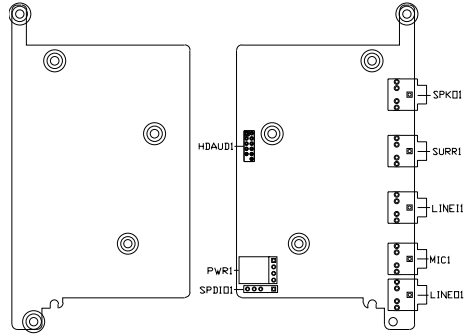


Figure 2: PCA-AUDIO-HDB1E Board Layout

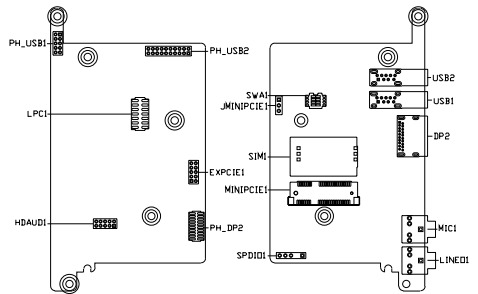


Figure 3: PCE-SA01 Board Layout