



CV1-SBxx

Model
CV1-SB32
CV1-SB64
CV1-SB128

M.2 2242

SATA 6.0 Gb/s Solid State Drive Product Specification

Manual Rev.:

Rev 1.1

Revision Date:

2017/6/8



Document History

Revision	Date	Changes
Rev 1.0	2017/1/25	First released.
Rev 1.1	2017/06/08	Adding CV1-SB32 model

LiteOn Confidential

Copyright 2015 LITE-ON TECHNOLOGY CORPORATION**Disclaimer**

The information in this document is subject to change without prior notice in order to improve reliability, design, and function and does not represent a commitment on the part of the manufacturer. In no event will the manufacturer be liable for direct, indirect, special, incidental, or consequential damages arising out of the use or inability to use the product or documentation, even if advised of the possibility of such damages.

This document contains proprietary information protected by copyright.

All rights are reserved. No part of this datasheet may be reproduced by any mechanical, electronic, or other means in any form without prior written permission of LITEON Technology Corporation.



Table of Contents

1	Introduction	5
1.1	Overview :	5
1.2	Product Specification.....	5
1.3	Functional Block Diagram	10
1.4	Mechanical Drawing:.....	10
1.5	Architecture.....	11
1.6	DEVSLP power mode.....	11
2	Pin Locations and Signal Descriptions	12
2.1	Pin Locations.....	12
2.2	Signal Descriptions.....	13
3	ATA Command Sets.....	15
3.1	ATA Command	15
3.2	Power Management Command Set	18
3.3	Security Mode Feature Set.....	19
3.4	SMART Command Set	19
3.5	Host Protected Area Command Set	20
3.6	48-Bit Address Command Set	20
3.7	Device Configuration Overlay Command Set	20
3.8	General Purpose log Command Set.....	20
4	SATA Command Sets	21
4.1	SATA Command.....	21
5	References.....	22
6	Terms and Acronyms.....	23

1 Introduction

1.1 Overview :

The CV1-SBxx MLC series mSATA second generation (M.2) SATA 6Gb/s Solid State Drive (SSD) delivers leading performance in an industry standard M.2 type 2242-D3-B-M form factor while simultaneously improving system responsiveness for mobile applications over standard rotating drive media or hard disk drives. By combining leading NAND flash memory technology with our innovative high performance firmware, LITEON delivers a SSD for native Serial Advanced Technology Attachment (SATA) hard disk drive drop-in replacement with enhanced performance, reliability, ruggedness and power savings. Since there are no rotating platters, moving heads, fragile actuators, or unnecessary delays due to spin-up time or positional seek time that can slow down the storage subsystem, significant I/O and throughput performance improvement is achieved as compared to rotating media or hard disk drives. This document describes the specifications of the CV1-SBxx MLC series M.2 SSD in M.2 type 2242-D3-B-M form factors.

The CV1-SBxx M.2 SSD primarily targets M.2 based laptop PCs, highly rugged mobile client devices, as well as thin and light mini/sub-notebooks. Key attributes include high performance, low power, increased system responsiveness, high reliability, and enhanced ruggedness as compared to standard mobile M.2 hard drives. The CV1-SBxx M.2 SSD is available in M.2 type 2242-D3-B-M form factor that are electrically, mechanically, and software compatible with existing M.2 slots. Our flexible design allows interchangeability with existing mobile hard drives based on the M.2 interface standard.

1.2 Product Specification

1.2.1. Form Factor:

32/64/128GB: M.2 type 2242-D3-B-M SSD form factor

1.2.2. Capacity:

Table 1 User Addressable Sectors

Model	Unformatted capacity	Total user addressable sectors in LBA mode
CV1-SB32	32GB	62,533,296
CV1-SB64	64GB	125,045,424
CV1-SB128	128GB	250,069,680

Notes:

- 1GB=1,000,000,000 bytes and not all of the memory can be used for storage.
- 1 Sector = 512 bytes

1.2.3. Flash: Multi-Level Cell (MLC) component with Toggle-Mode

1.2.4. Band Performance

Table 2 Maximum Sustained Read and Write Bandwidth

Capacity	Access Type	MB/s
32GB	Sequential Read	Up to 260
	Sequential Write	Up to 40
64 GB	Sequential Read	Up to 490
	Sequential Write	Up to 80
128 GB	Sequential Read	Up to 520
	Sequential Write	Up to 160

Notes:

1. Performance measured using CrystalDiskMark
2. 1 MB/sec = 1,048,576 bytes/sec is used in measuring sequential performance.
If 1 MB/sec = 1,000,000 bytes/sec is used, performance values become 4.85% higher.
3. Test platform: ASUS P8P67 PRO (Windows 7 x64)
4. Test by secondary drive (data drive) under SATA 6Gb/s.

1.2.5. Read and Write IOPS (IOMETER)

Table 3 Random Read/Write Input/Output Operations per Second

Capacity	Access Type	IOPS
32GB	4K Random Read	25,000
	4K Random Write	10,500
64GB	4K Random Read	35,000
	4K Random Write	18,000
128GB	4K Random Read	60,000
	4K Random Write	34,000

Notes:

1. Performance measured using IOMETER with queue depth set to 32, Crystal Disk Mark QD32
2. Write cache enabled.
3. Test platform: ASUS P8P67 PRO (Windows 7 x64)
4. Test by secondary drive (data drive) under SATA 6Gb/s.

1.2.6. Ready Time

Table 4 Latency Specifications

Type	Average Latency
Power on to Ready	500ms
Resume from DEVSLP	100ms

Notes:

1. Device measured form power-on to ready to receive first Media command
2. Power On To Ready time assumes drive have normal shutdown process which have STANDBY IMMEDIATE command. Time varies if shutdown is not preceded by

1.2.7. Power Management

-- SATA interface power management

1.2.8. Power Consumption

Table 5 Operating Voltage

Capacity	Description	Min	Max	Unit
32GB	Operating voltage for 3.3V (+/- 5%)	3.135	3.465	V
64GB	Operating voltage for 3.3V (+/- 5%)	3.135	3.465	V
128GB	Operating voltage for 3.3V (+/- 5%)	3.135	3.465	V

Table 6 Power Consumption (MobileMark)

Capacity	Mode	Max	Unit
32GB	DIPM Enable	0.25	W
64GB	DIPM Enable	0.25	W
128GB	DIPM Enable	0.25	W

Table 7 DEVSLP Mode Power Consumption

Capacity	Mode	Max	Unit
32GB	DEVSLP	3	mW
64GB	DEVSLP	3	mW
128GB	DEVSLP	3	mW

1.2.9. Temperature

Table 8 Temperature Relative Specifications

Environment	Mode	Min	Max	Unit
Ambient Temperature	Operating	0	70	°C
	Non-operating	-40	85	°C
Humidity	Operation	5	95	%
	Non-operation	5	95	%

Note: Measured without condensation

1.2.10. Compatibility

- SATA Revision 3.0 compliant
- Compatible with SATA 1.5Gb/s, 3.0Gb/s & 6.0Gb/s interface rates
- ATA/ATAPI- 8 compliant
- SSD enhanced SMART ATA feature set
- Native Command Queuing (NCQ) command set
- TRIM supported

1.2.11. Certifications

Table 9 Device Certifications

Certification	Description
CE compliant	Indicates conformity with the essential health and safety requirements set out in European Directives Low voltage Directive and EMC Directive
UL certified	Underwriters Laboratories, Inc. Component Recognition UL60950-1
BSMI	Compliance to the Taiwan EMC standard "Limits and methods of Radio Disturbance Characteristics of Information Technology Equipment, CNS 13438 Class B"
Microsoft WHQL	Microsoft Windows Hardware Quality Labs
RoHS compliant	Restriction of Hazardous Substance Directive

1.2.12. Reliability

Table 10 Reliability specifications

Parameter	Value
Mean Time between Failure (MTBF)	> 1,500,000 hours
Power on/off cycles	50000 cycles

Notes:

1. MTBF is calculated based on a Part Stress Analysis. It assumes nominal voltage. With all other parameters within specified range.
2. Power on/off cycles is defined as power being removed from the drive, and the restored. Most host systems remove power from the drive when entering suspend and hibernate as well as on a system shutdown.

1.2.13. Shock and Vibration

Table 11 Shock and Vibration

Item	Mode	Timing/Frequency	Max
Shock	operating	At 1 msec half-sine	1500G
	operating	At 2 msec half-sine	1000G
	Non-operating	At 1 msec half-sine	1500G
	Non-operating	At 2 msec half-sine	1000G
Vibration	Operation	7~800 Hz	3.08Grms
	Non-operation	20~2000 Hz	16.3Grms

Notes:

1. Shock specifications assume that the SSD is mounted securely with the input vibration applied to the drive mounting screws. Stimulus may be applied in the X, Y or Z axis
2. Vibration specifications assume that the SSD is mounted securely with the input vibration applied to the drive mounting screws. Stimulus may be applied in the X, Y or Z axis. The measured specification is in root mean squared form.

1.2.14. Electromagnetic Immunity

Electromagnetic Immunity tests assume the SSD is properly installed in the representative host system. The drive operates properly without errors degradation in performance when subjected to radio frequency (RF) environments defined in the following table.

Table 12 Radio Frequency Specifications

Test	Description	Performance criteria	Reference standard
Electrostatic discharge	Contact ±4KV Air: ±8KV	A	IEC 61000-4-2:2008
Electrostatic discharge	Contact ±6KV Air: ±12KV	B	IEC 61000-4-2:2008
Electrostatic discharge	Contact ±8KV Air: ±15KV	C	IEC 61000-4-2:2008
Radiated RF immunity	80~1000MHz, 3V/m, 80% AM with 1 KHz sine 900 MHz, 3 V/m, 50% pulse modulation at 200Hz	A	IEC 61000-4-3:2008
Electrical fast transient	±1KV on AC mains ±0.5KV on external I/O	B	IEC 61000-4-4:2004 +Corr.1:2006 +Corr.2:2007
Surge immunity	±1KV differential ±2KV common, AC mains	B	IEC 61000-4-5:2005
Conducted RF immunity	150KHz~80 MHz, 3 Vrms, 80% AM with 1KHz sine	A	IEC 61000-4-6:2008
Power frequency magnetic field	50Hz, 1A/m (r.m.s.)	A	IEC 61000-4-6:2008

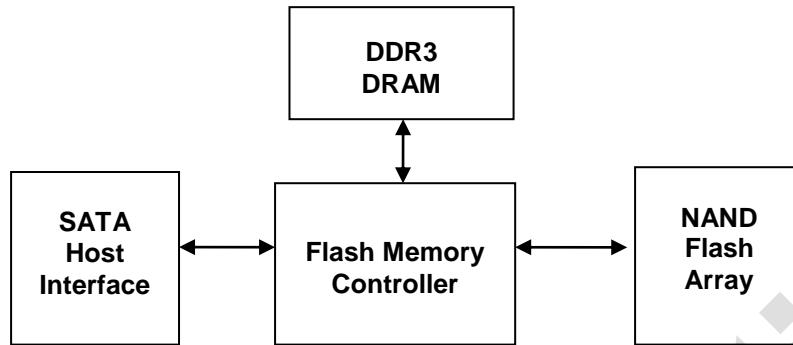
Notes:

1. Performance criterion A = The device shall continue to operate as intended, i.e., normal unit operation with no degradation of performance.
2. Performance criterion B = The device shall continue to operate as intended after completion of test, however, during the test, some degradation of performance is allowed as long as there is no data loss operator intervention to restore device function.
3. Performance criterion C = Temporary loss of function is allowed. Operator intervention is acceptable to restore device function.
4. Contact electrostatic discharge is applied to drive enclosure.

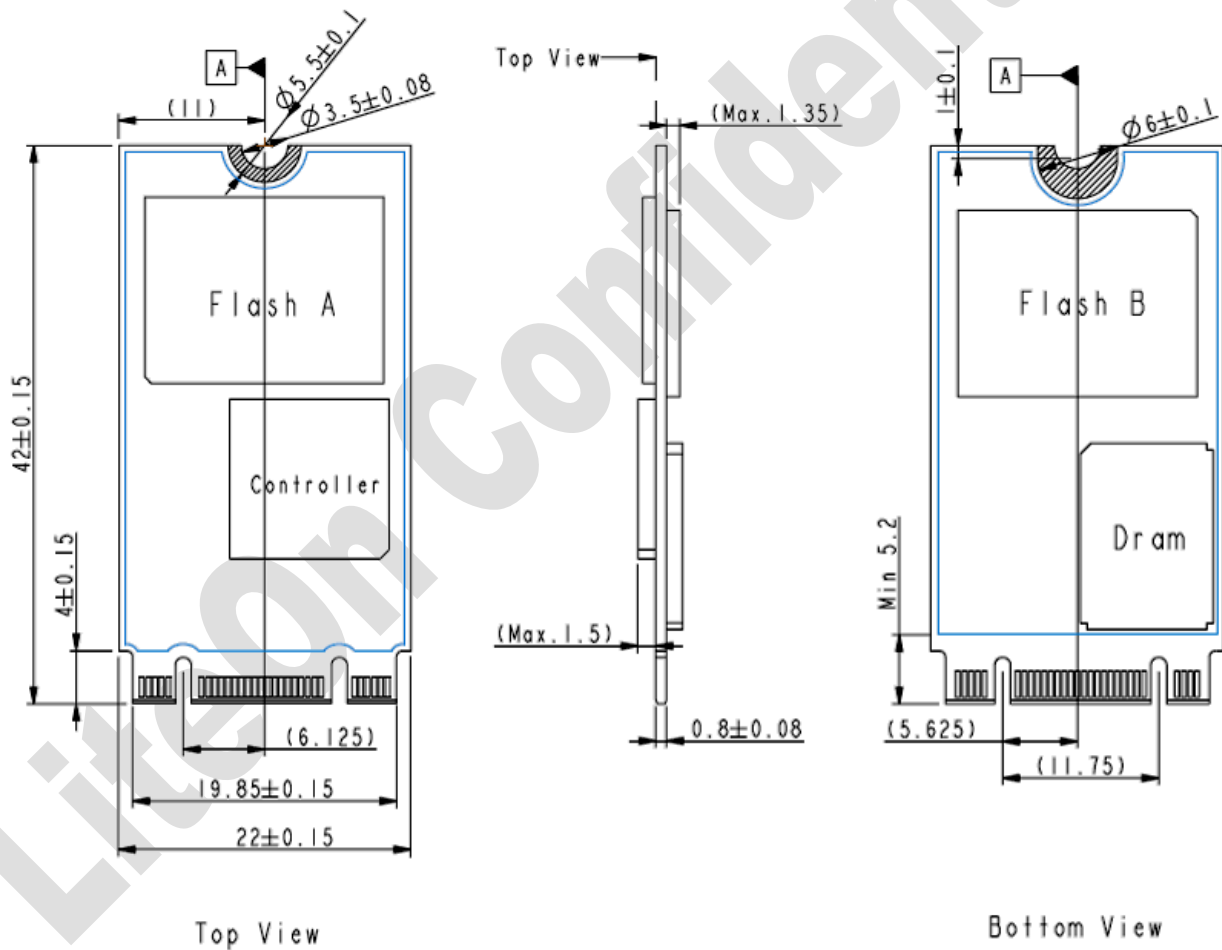
1.2.15. Weight: 6 g Max.

1.2.16. Dimension: 42.0 mm x 22.0 mm x 3.65 mm (L x W x H)

1.3 Functional Block Diagram



1.4 Mechanical Drawing:



Dimension: 42.0 mm x 22.0 mm x 3.65 mm (L x W x H)

1.5 Architecture

The **CV1-SBxx MLC series** SATA 6Gb/s Solid State Drive (SSD) utilizes a cost effective system-on-chip (SoC) design to provide a full 6Gb/s bandwidth with the host while managing multiple flash memory devices on multiple channels internally.

1.6 DEVSLP power mode

LiteON SSD support DEVSLP power mode. After power up, and enabled by a SET FEATURES command from the host, device will enter DEVSLP mode from any state after receive HW DEVSLP signal pin trigger. And return to Reset state after HW DEVSLP signal pin negated.

2.2 Signal Descriptions

Table 13 Connector Pin Definitions

Name	Type	Description
P1	CONFIG_3	This pin is follow standard spec connect to ground.
P2	3.3V AUX	Supply pin, 3.3V
P3	GND	Ground
P4	3.3V AUX	Supply pin, 3.3V
P5	Not Available	no connect on SSD
P6	Not Available	no connect on SSD
P7	Not Available	no connect on SSD
P8	Not Available	no connect on SSD
P9	Not Available	no connect on SSD
P10	DAS#	Device Activity Signal
P11	Not Available	no connect on SSD
P12	(removed for key)	Mechanical Notch B (Removed for Key)
P13	(removed for key)	Mechanical Notch B (Removed for Key)
P14	(removed for key)	Mechanical Notch B (Removed for Key)
P15	(removed for key)	Mechanical Notch B (Removed for Key)
P16	(removed for key)	Mechanical Notch B (Removed for Key)
P17	(removed for key)	Mechanical Notch B (Removed for Key)
P18	(removed for key)	Mechanical Notch B (Removed for Key)
P19	(removed for key)	Mechanical Notch B (Removed for Key)
P20	Not Available	no connect on SSD
P21	CONFIG_0	This pin is follow standard spec connect to ground.
P22	Not Available	no connect on SSD
P23	Not Available	no connect on SSD
P24	Not Available	no connect on SSD
P25	Not Available	no connect on SSD
P26	Not Available	no connect on SSD
P27	GND	Ground
P28	Not Available	no connect on SSD
P29	Not Available	no connect on SSD
P30	Not Available	no connect on SSD
P31	Not Available	no connect on SSD
P32	Not Available	no connect on SSD
P33	GND	Ground
P34	Not Available	no connect on SSD
P35	Not Available	no connect on SSD
P36	Not Available	no connect on SSD
P37	Not Available	no connect on SSD
P38	Device Sleep Signal	<p>If system didn't support DEVSLP, set Device Sleep Signal high and keep (from power on), device will ignore.</p> <p>If system support DEVSLP, set Device Sleep Signal low (from power on) device, device will support DEVSLP function as below:</p> <p>Device Sleep Signal H: SSD enter sleep model.</p> <p>Device Sleep Signal L: SSD exit sleep model.</p>
P39	GND	Ground
P40	Not Available	no connect on SSD
P41	SATA-B+/PETn0	Host receiver differential signal pair
P42	Not Available	no connect on SSD
P43	SATA-B-/PETp0	Host receiver differential signal pair

Name	Type	Description
P44	Not Available	no connect on SSD
P45	GND	Ground
P46	Not Available	no connect on SSD
P47	SATA-A-/PERn0	Host transmitter differential signal pair
P48	Not Available	no connect on SSD
P49	SATA-A+/PERp0	Host transmitter differential signal pair
P50	Not Available	no connect on SSD
P51	GND	Ground
P52	Not Available	no connect on SSD
P53	Not Available	no connect on SSD
P54	Not Available	no connect on SSD
P55	Not Available	no connect on SSD
P56	MFG1	Manufacturing pin. Use determined by vendor. Must be a no-connect on the host board
P57	GND	Ground
P58	MFG2	Manufacturing pin. User determined by vendor. Must be a no-connect on a host board
P59	(removed for key)	Mechanical Notch M (Removed for Key)
P60	(removed for key)	Mechanical Notch M (Removed for Key)
P61	(removed for key)	Mechanical Notch M (Removed for Key)
P62	(removed for key)	Mechanical Notch M (Removed for Key)
P63	(removed for key)	Mechanical Notch M (Removed for Key)
P64	(removed for key)	Mechanical Notch M (Removed for Key)
P65	(removed for key)	Mechanical Notch M (Removed for Key)
P66	(removed for key)	Mechanical Notch M (Removed for Key)
P67	Not Available	no connect on SSD
P68	SUSCLK	no connect on SSD
P69	CONFIG_1	This pin is follow standard spec connect to ground.
P70	3.3V AUX	Supply pin, 3.3V
P71	GND	Ground
P72	3.3V AUX	Supply pin, 3.3V
P73	GND	Ground
P74	3.3V AUX	Supply pin
P75	CONFIG_2	This pin is follow standard spec connect to ground.

3 ATA Command Sets

3.1 ATA Command

The SSD supports all the mandatory ATA commands defined in the ATA/ATAPI-8 specification.

3.1.1 ATA General Feature Command Set

The SSD supports the ATA General feature Command set (non-packet), which consists of

- EXECUTE DEVICE DIAGNOSTIC
- FLUSH CACHE
- IDENTIFY DEVICE
- READ DMA
- READ DMA WITHOUT RETRIES
- READ SECTOR(S)
- READ SECTORS(S) WITHOUT RETRIES
- READ VERIFY SECTORS(S)
- READ VERIFY SECTORS(S) WITHOUT RETRIES
- SEEK
- SET FEATURES
- WRITE DMA
- WRITE DMA WITHOUT RETRIES
- WRITE SECTOR(S)
- WRITE SECTOR(S) WITHOUT RETRY
- READ MULTIPLE
- SET MULTIPLE MODE
- WRITE MULTIPLE
- INITIALIZE DEVICE PARAMETERS
- DATA SET MANAGEMENT

The SSD supports all the following optional commands

- READ BUFFER
- WRITE BUFFER
- DOWNLOAD MICROCODE

3.1.2 Identify Device Data

The following table details the sector data returned after issuing an IDENTIFY DEVICE command.

Table 14 Returned Sector Data

Word	F=Fixed V=Variable X=Both	Default Value	Description
0	F	0040h	General configuration bit-significant information
1	F	3FFFh	Obsolete-Number of logical cylinders (16,383)
2	F	C837h	Specific configuration
3	F	0010h	Obsolete-Number of logical heads (16)
4-5	F	0000h	Retired
6	F	003Fh	Obsolete-Number of logical sectors per logical track (63)
7-8	F	0000h	Reserved for assignment by the Compact Flash Association
9	F	0000h	Retired
10-19	V	Var.	Serial number (20 ASCII characters)
20-22	F	0000h	Retired / Obsolete
23-26	V	Var.	Firmware revision (8 ASCII characters)
27-46	V	Var.	Model number
47	F	8010h	7:0 – Maximum number of sectors transferred per interrupt on multiple commands
48	F	4000h	Trusted Computing feature set options, bit14 should be 1
49	F	2F00h	Capabilities
50	F	4000h	Capabilities
51-52	F	0000h	Obsolete
53	F	0007h	Words 88 and 70:64 valid
54	V	Var.	Obsolete - Number of logical cylinders (16,383)
55	V	Var.	Obsolete - Number of logical heads (16)
56	V	Var.	Obsolete - Number of logical sectors per logical track (63)
57-58	V	Var.	Capacity(Cylinders*heads*sectors)
59	V	01xxh	Number of sectors transferred per interrupt on multiple commands
60-61	V	125,045,424 (64GB)	Total number of user addressable logical sectors for 28-bit commands (DWord)
		250,069,680 (128GB)	
		500,118,192 (256GB)	
62	F	0000h	Obsolete
63	V	0007h	Multi-word DMA modes supported/selected
64	F	0003h	PIO modes supported
65	F	0078h	Minimum multiword DMA transfer cycle time per word
66	F	0078h	Manufacture's recommended multiword DMA transfer cycle time
67	F	0078h	Minimum PIO transfer cycle time without flow control
68	F	0078h	Minimum PIO transfer cycle time with IORDY flow control
69-70	F	0000h	Reserved(for future command overlap and queuing)
71-74	F	0000h	Reserved for the IDENTIFY packet DEVICE command
75	F	001Fh	4:0 Maximum Queue depth-1=31
76	V	070Eh	Serial ATA capabilities
77	V	Var.	Reserved for Serial ATA
78	V	014Ch	Serial ATA features supported

Word	F=Fixed V=Variable X=Both	Default Value	Description
79	V	Var.	Serial ATA features enabled
80	F	01FEh	Major Version Number
81	F	0021h	Minor Version Number
82	F	346Bh	Commands and feature sets supported
83	F	7D01h	Commands and feature sets supported
84	F	4123h	Commands and feature sets supported
85	V	3469h	Commands and feature sets supported or enabled
86	V	BC01h	Commands and feature sets supported or enabled
87	F	4023h	Commands and feature sets supported or enabled
88	V	407Fh	Ultra DMA modes
89	F	0003h	Time required for security erase unit completion
90	F	0003h	Time required for enhanced security erase completion
91	F	0000h	Current advanced power management value
92	V	Var.	Master Password Identifier
93	V	0000h	Hardware reset result. The contents of bits (12:0) of this word shall change only during the execution of a hardware reset.
94	F	0000h	Current AAM value
95	F	0000h	Stream Minimum Request Size
96	F	0000h	Streaming Transfer Time - DMA
97	F	0000h	Streaming Access Latency - DMA and PIO
98-99	F	0000h	Streaming Performance Granularity
100-103	V	125,045,424 (64GB)	Maximum user LBA for 48-bit Address feature set
		250,069,680 (128GB)	
		500,118,192 (256GB)	
104	F	0000h	Streaming Transfer Time - PIO
105	F	0008h	Maximum number of 512-byte blocks per DATA SET MANAGEMENT command
106	F	4000h	Physical sector size/logical sector size
107	F	0000h	Inter-seek delay for ISO-7779 acoustic testing in microseconds
108-111	V	0000h 0000h 0000h 0000h	World wide name
112-115	F	0000h	Reserved for word wide name extension to 128 bits
116	F	0000h	Reserved for TLC
117-118	F	0000h	Words per logical sector
119	F	4010h	Commands and feature sets supported
120	F	4010h	Commands and feature sets supported or enabled
121-126	F	0000h	Reserved for expanded supported and enabled settings
127	F	0000h	Removable Media Status Notification feature set support
128	V	002xh	Security status
129-159	F	0000h	Vendor specific
160	F	0000h	Compact Flash Association (CFA) power mode 1
161-167	F	0000h	Reserved for the CompactFlash Association
168	F	0000h	
169	F	0001h	DATA SET MANAGEMENT command is supported
170-173	V	Var.	Additional Product Identifier (ATA String)
174-175	F	0000h	Reserved

Word	F=Fixed V=Variable X=Both	Default Value	Description
176-205	F	0000h	Current media serial number (ATA string)
206	F	003Dh	SCT Command Transport
207-208	F	0000h	Reserved
209	F	4000h	Alignment of logical blocks within a physical block
210-211	F	0000h	Write-Read-Verify Sector Count Mode 3 (DWord)
212-213	F	0000h	Write-Read-Verify Sector Count Mode 2 (DWord)
214	F	0000h	NV Cache Capabilities
215-216	F	0000h	NV Cache Size in Logical Blocks (DWord)
217	F	0001h	Nominal media rotation rate
218	F	0000h	Reserved
219	F	0000h	NV Cache Options
220	F	0000h	7:0 Write-Read-Verify feature set current mode
221	F	0000h	Reserved
222	F	1075h	Transport major version number
223	F	0000h	Transport minor version number
224-229	F	0000h	Reserved
230-233	F	0000h	Extended Number of User Addressable Sectors (QWord)
234	F	0000h	Minimum number of 512-byte data blocks per DOWNLOAD MICROCODE command for mode 03h
235	F	0000h	Minimum number of 512-byte data blocks per DOWNLOAD MICROCODE command for mode 03h
236-254	F	0000h	Reserved
255	V	Var.	Integrity word

Note:

1. F=Fixed. The content of the word is fixed and does not change for removable media devices, these values may change when media is Removed or changed.
2. V=Variable. The state of at least one bit in a word is variable and may change depending on the state of the device or the commands executed by the device.
3. X=F or V. The content of the word may be fixed or variable.

3.2 Power Management Command Set

The SSD supports the power management command set, which consists of

- CHECK POWER MODE
- IDLE
- IDLE IMMEDIATE
- SLEEP
- STANDBY
- STANDBY IMMEDIATE

3.3 Security Mode Feature Set

The SSD supports the Security Mode command set, which consist of

- SECURITY SET PASSWORD
- SECURITY UNLOCK
- SECURITY ERASE PREPARE
- SECURITY ERASE UNIT
- SECURITY FREEZE LOCK
- SECURITY DISABLE PASSWORD

3.4 SMART Command Set

The SSD supports the SMART command set, which consist of

- SMART ENABLE OPERATIONS
- SMART DISABLE OPERATIONS
- SMART ENABLE/DISABLE AUTOSAVE
- SMART RETURN STATUS

The SSD supports the following optional commands.

- SMART EXECUTE OFF-LINE IMMEDIATE
- SMART READ DATA
- SMART READ LOG
- SMART WRITE LOG

The table below lists the SMART commands.

Table 15 SMART commands

Subcommand	Code	LBA Low value
SMART ATTRIBUTE VALUES (READ DATA)	D0h	
READ ATTRIBUTE THRESHOLDS	D1h	
ENABLE/DISABLE ATTRIBUTE AUTOSAVE	D2h	
SAVE ATTRIBUTE VALUES	D3h	
EXECUTE OFF-LINE IMMEDIATE	D4h	
EXECUTE SMART OFF-LINE ROUTINE		00h
EXECUTE SMART SHORT SELF-TEST ROUTINE (OFFLINE)		01h
EXECUTE SMART EXTENDED SELF-TEST ROUTINE (OFFLINE)		02h
ABORT OFF-LINE ROUTINE		7Fh
EXECUTE SMART SHORT SELF-TEST ROUTINE (CAPTIVE)		81h
EXECUTE SMART EXTENDED SELF-TEST ROUTINE (CAPTIVE)		82h
READ LOG SECTOR	D5h	
WRITE LOG SECTOR	D6h	
ENABLE SMART OPERATIONS	D8h	
DISABLE SMART OPERATIONS	D9h	
RETURN SMART STATUS	DAh	
Enable/Disable Automatic OFFLINE	DBh	

3.5 Host Protected Area Command Set

The SSD supports the Host Protected Area command set which consists of

- READ NATIVE MAX ADDRESS
- SET MAX ADDRESS
- READ NATIVE MAX ADDRESS EXT
- SET MAX ADDRESS EXT

The SSD supports the following optional commands.

- SET MAX SET PASSWORD
- SET MAX LOCK
- SET MAX FREEZE LOCK
- SET MAX UNLOCK

3.6 48-Bit Address Command Set

The SSD supports the Host Protected Area command set, which consists of

- FLUSH CACHE EXT
- READ DMA EXT
- READ NATIVE MAX ADDRESS EXT
- READ SECTOR(S) EXT
- READ VERIFY SECTOR(S) EXT
- READ MULTIPLE EXT
- SET MAX ADDRESS EXT
- WRITE DMA EXT
- WRITE MULTIPLE EXT
- WRITE MULTIPLE FUA EXT
- WRITE SECTOR(S) EXT

3.7 Device Configuration Overlay Command Set

The SSD supports the Device configuration Overlay command set, which consists of

- DEVICE CONFIGURATION FREEZE LOCK
- DEVICE CONFIGURATION IDENTITY
- DEVICE CONFIGURATION RESTORE
- DEVICE CONFIGURATION SET

3.8 General Purpose log Command Set

The SSD supports the general purpose log command set, which consists of

- READ LOG EXT
- WRITE LOG EXT

4 SATA Command Sets

4.1 SATA Command

The SATA 3.0 Specification is a super set of the ATA/ATAPI-8 specification with regard to supported commands. The SSD supports the following features which are unique to the SATA 3.0 Specification.

4.1.1. Software Settings Preservation

The SSD supports the SET FEATURES parameter to enable/disable the preservation of software settings.

4.1.2. Native Command Queuing

The SSD supports the Native Command Queuing (NCQ) command set, which includes.

- READ FPDMA QUEUED
- WRITE FPDMA QUEUED

Note: with a maximum queue depth equal to 32

5 References

This document references standards defined by a variety of organizations as listed below.

Table 16 Standards References

Date	Title	Location
Dec 2008	VCCI	http://www.vcci.or.jp/vcci_e/general/join/index.html
July 2007	ROHS	Search for material description datasheet at http://intel.pcnaalert.com
July 2007	SFF-8144, 1.8" drive form factor	http://www.sffcommittee.org
February 2007	Serial ATA Revision 2.6	http://www.sata-io.org
May 2006	SFF-8223, 2.5" Drive w/Serial Attachment Connector	http://www.sffcommittee.org
May 2005	SFF-8201, 2.5" drive form factor	http://www.sffcommittee.org
April 2004	ATA-7 Spec. Volume 1	http://www.t13.org/
Aug. 2009	ATA-8 Spec. Rev 2	http://www.t13.org/
2008 2008 2004 2005 2008 2008	International Electro Technical Commission EB61000 4-2 Personnel Electrostatic Discharge Immunity 4-3 Electromagnetic compatibility (EMC) 4-4 Electromagnetic compatibility (EMC) 4-5 Electromagnetic compatibility (EMC) 4-6 Electromagnetic compatibility (EMC) 4-11 (Voltage variations)	http://www.iec.ch
2004	ENV 50204 (Radiated electromagnetic field from digital radio telephones)	http://www.iec.ch

6 Terms and Acronyms

This document incorporates many industry- and device-specific words use the following list to define a variety of terms and acronyms.

Table 17 Glossary of Terms and Acronyms

Term	Definition
ATA	Advanced Technology Attachment
ATAPI	Advanced Technology Attachment Packet Interface
BER	Bit Error Rate, or percentage of bits that have errors relative to the total number of bits received
BIOS	Basic Input/Output System
Chipset	A term used to define a collection of integrated components required to make a PC function
DIPM	Device Initiated Power Management The ability of the device to request SATA link power state changes
DMA	Direct Memory Access
DRAM	Dynamic Random Access Memory
EXT	Extended
FP	First Party
GB	Giga-byte defined as 1×10^9 bytes
HCI	Host Controller Interface
HCT	Hardware Compatibility Test
HDD	Hard Disk Drive
HIPM	Host Initiated Power Management The ability of the host to request SATA link power state changes
Hot Plug	A term used to describe the removal or insertion of a SATA hard drive when the system is powered on
IOPS	Input output operations per second
LBA	Logical Block Address
LPM	Link Power Management: the ability of the SATA link layer to enter one of two lower power consuming states, partial and slumber
MB	Mega-bytes defined as 1×10^6 bytes
mSATA	Mini-SATA
MTBF	Mean time between failure
NCQ	Native Command Queuing

	The ability of the SATA hard drive to re-order commands in order to maximize the efficiency of gathering data from the platters
NOP	No operation
NTFS	NT file system
OEM	Original Equipment Manufacturer
OS	Operation System
Port	The point at which a SATA drive physically connected to the SATA controller
RAID	Redundant Array of Independent Disks
RMS	Root Mean Squared
RPM	Revolutions per Minute
RTM	Release to Manufacture
SATA	Serial ATA
SFF	Small Form Factor
SMART	Self-Monitoring, Analysis and reporting Technology An open standard for developing hard drive and software systems that automatically monitors a hard drive's health and reports potential problems
SSD	Solid State Drive
TBD	To Be Determined
WHQL	Microsoft* Windows Hardware Quality Labs
Write Cache	A memory device within a hard drive, which is allocated for the temporary storage of data before that data is copied to its permanent storage location
VCCI	Voluntary Control Council for Interface