

# AIIS-3410P (PoE) AIIS-3410U (USB 3.0)

Compact Vision System, Intel® 6th/7th Gen Core i CPU, 4-CH Camera Interface for GigE PoE or USB 3.0, PCIe expansion slot



## Features

- Intel 6th/7th generation Core i CPU (LGA1151)
- AIIS-3410P: 4-CH GbE PoE (Power over Ethernet)
  - Powered device auto detection and classification
  - IEEE 802.3af compliant, supports IEEE 1588
  - Compatible with GigE cameras
- AIIS-3410U: 4-CH USB 3.0 with dedicated controller
  - Maximize the USB3.0 bandwidth for multi-cameras
  - Compatible with USB 3.0 cameras
- Compact & thoughtful design
  - PCIe or PCI extension compatibility
  - Isolated Digital I/O
  - Internal USB 2.0 connector

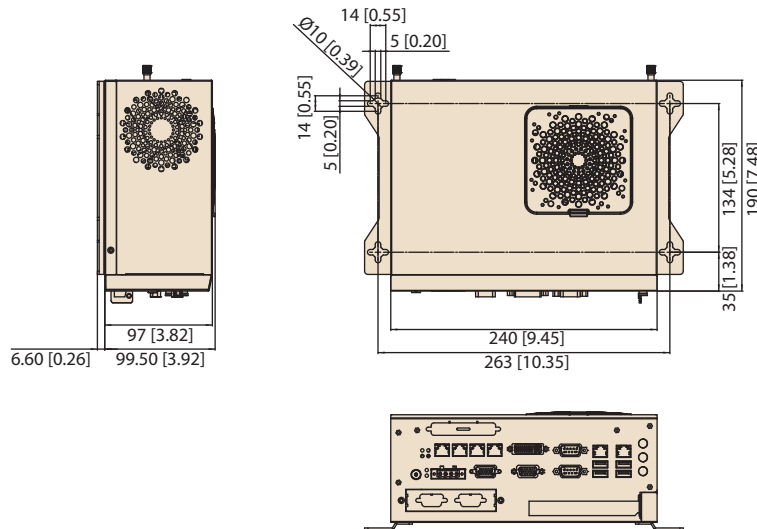
## Specifications

|                                       |                          | 6th generation CPU   |   |         |         | 7th generation Core i CPU                   |         |         |          |
|---------------------------------------|--------------------------|--|---|---------|---------|---|---------|---------|----------|
| Processor System                      | CPU                      | i7-6700  | i5-6500                                   | i3-6100 | G4400   | G3900                                       | i7-7700 | i5-7500 | i3-7101E |
|                                       | Core                     | 4  | 4   | 2       | 2       | 2   | 4       | 4       | 2        |
|                                       | Base Frequency           | 3.4 GHz  | 3.2 GHz                                   | 3.7 GHz | 3.3 GHz | 2.8 GHz                                     | 3.6GHz  | 3.5GHz  | 3.9GHz   |
|                                       | L3 Cache                 | 8 MB   | 6 MB                                      | 4 MB    | 3 MB    | 2 MB  | 8MB     | 6MB     | 3MB      |
|                                       | Chipset                  | H110   |   |         |         |   |         |         |          |
|                                       | BIOS                     | AMI 128Mb SPI Flash  |   |         |         |   |         |         |          |
| Memory                                | Technology               | Dual Channel DDR4 1866/2133 MHz (non-ECC)  |   |         |         |   |         |         |          |
|                                       | Max. Capacity            | 32 GB (16 GB per DIMM)   |   |         |         |   |         |         |          |
|                                       | Socket                   | 260-pin SO-DIMM  |   |         |         |   |         |         |          |
| Graphics                              | Chipset Integrated       | Integrated Intel HD Graphics   |   |         |         |   |         |         |          |
| Ethernet                              | Interface                | 10/100/1000 Mbps   |   |         |         |   |         |         |          |
|                                       | Controller               | LAN1: Intel i219LM, LAN2: Intel i210AT (Both support Wake on LAN)  |   |         |         |   |         |         |          |
| Camera Interface PoE (AIIS-3410P)     | Controller               | CH1 - CH4: Intel i210  |   |         |         |   |         |         |          |
|                                       | Compliant                | IEEE 802.3af   |   |         |         |   |         |         |          |
|                                       | Power Output             | 15W per channel / 30W for 1 & 2 channel (Note: selected by BIOS)   |   |         |         |   |         |         |          |
| Camera Interface USB 3.0 (AIIS-3410U) | Controller               | CH1 - CH4: $\mu$ PD720202  |   |         |         |   |         |         |          |
|                                       | Compliant                | USB 3.0  |   |         |         |   |         |         |          |
|                                       | Power Output             | 4.5W per Channel   |   |         |         |   |         |         |          |
| Storage                               | Internal 2.5" HDD Bay    | 1 (max. 9.5 mm height)   |   |         |         |   |         |         |          |
|                                       | CFast                    | 1  |   |         |         |   |         |         |          |
| Expansions                            | PCIe                     | 1 (PCIe x16 slot with x8 signal), full height: 111.15 mm, length: max. 172 mm  |   |         |         |   |         |         |          |
|                                       | miniPCIe                 | 1 (USB2.0/SATA)  |   |         |         |   |         |         |          |
|                                       | i-door                   | 1  |   |         |         |   |         |         |          |
| Front I/O                             | Display                  | VGA + DVI-D  |   |         |         |   |         |         |          |
|                                       | USB                      | 4 USB3.0   |   |         |         |   |         |         |          |
|                                       | Serial                   | 2 (RS-232/422/485, via BIOS setting ; RS-485 support auto-flow control)  |   |         |         |   |         |         |          |
|                                       | Isolated DIO (Default)   | 4 DI and 4 DO Channels<br>AIIS-E730-AE (16-CH DI, 16-CH DO)<br>High output driving capacity (500 mA max./channel)<br>Interrupt capable for all 16 DI channel |   |         |         |   |         |         |          |
|                                       | Isolated DIO (Optional)  | Supports 3-30 V <sub>DC</sub> isolated input channel<br>Dry/Wet contact support<br>High-voltage isolation on output channels (2,500 V <sub>DC</sub> )        |   |         |         |   |         |         |          |
|                                       | Internal Connector       | USB  | 1 USB 2.0 connector                       |         |         |   |         |         |          |
| Watchdog Timer                        | Output                   | System reset   |   |         |         |   |         |         |          |
|                                       | Interval                 | Programmable 1 ~ 255 sec/min   |   |         |         |   |         |         |          |
| Power Requirement                     | Power Type               | ATX/AT   |   |         |         |   |         |         |          |
|                                       | Power Input Voltage      | 19 V <sub>DC</sub> ~ 24 V <sub>DC</sub> ( $\pm$ 10%)   |   |         |         |   |         |         |          |
|                                       | Minimum Power Input      | DC 19-24V @ 8-6.3A   |   |         |         |   |         |         |          |
|                                       | Power Adapter            | AC to DC, DC24V/9.16A, 220W (Optional)   |   |         |         |   |         |         |          |
| Cooling                               | System Fan               | 1 (8 cm/57 CFM)  |   |         |         |   |         |         |          |
| Miscellaneous                         | LED Indicators           | Power, HDD, temperature  |   |         |         |   |         |         |          |
|                                       | Control                  | Power on/off switch  |   |         |         |   |         |         |          |
| Environment                           | Temperature              | Operating<br>0 ~ 45 °C (32 ~ 113 °F)*  |   |         |         | Non-operating<br>-40 ~ 70 °C (-40 ~ 158 °F) |         |         |          |
|                                       | Humidity                 | 10 ~ 95% @ 40 °C, non-condensing   |   |         |         |   |         |         |          |
|                                       | Vibration                | 0.5Grms, random, 5-500Hz, 3 axes, 1 hr/axis  |   |         |         | 2G, sine wave, 5-500Hz, 3 axes, 1 hr/axis   |         |         |          |
|                                       | Shock                    | 10G, half sine wave, 11 ms duration  |   |         |         |   |         |         |          |
|                                       | Physical Characteristics | Dimension (W x H x D)  | 240 x 97 x 190 mm (9.45" x 3.82" x 7.48") |         |         |   |         |         |          |
|                                       | Weight                   | 2.4 kg (5.29 lb) (w/o CPU cooler)  |   |         |         |   |         |         |          |

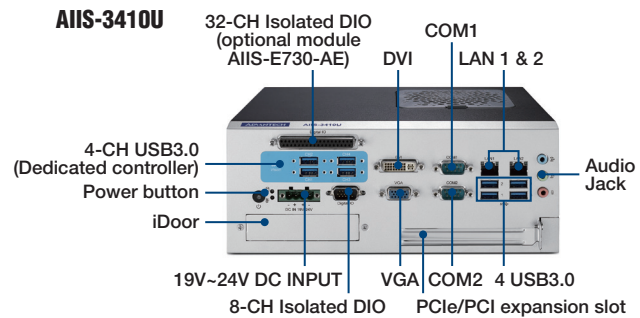
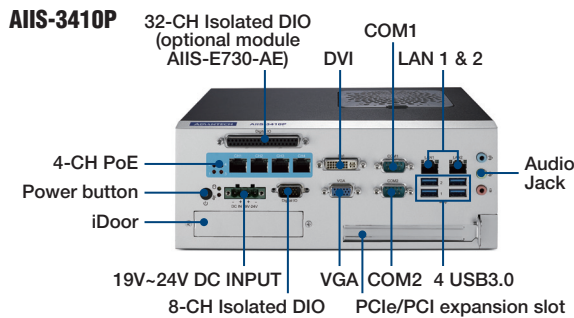
\* Depends on CPU

# AIIS-3410P (PoE) AIIS-3410U (USB 3.0)

## Dimensions



## Front View



## Ordering Information

| Part Number      | Camera Interface | Display   | USB 3.0 | Isolated DIO | COM 232/422/485 | Expansion slot      |
|------------------|------------------|-----------|---------|--------------|-----------------|---------------------|
| AIIS-3410P-00A1E | 4-CH GigE PoE    | VGA+DVI-D | 4       | 8-CH         | 2               | 1 PCIe x8 or 1 PCI* |
| AIIS-3410U-00A1E | 4-CH USB 3.0     | VGA+DVI-D | 4       | 8-CH         | 2               | 1 PCIe x8 or 1 PCI* |

\* Optional PCI riser card

## Packing List

| Items                            | Part Number    | Quantity |
|----------------------------------|----------------|----------|
| Bare System                      | AIIS-3410      | 1        |
| Startup manual (EN/CN)           | 2001341000     | 1        |
| Startup manual (TC)              | 2001341010     | 1        |
| Driver CD                        | 2061340011     | 1        |
| Wallmount Bracket                | 1960014487T006 | 2        |
| Hole Protector                   | 1990022908S000 | 4        |
| CPU Cooler                       | 1960060620N001 | 1        |
| 4-pin Phoenix DC power connector | 1652003234     | 1        |
| 2-pin Phoenix DC power connector | 1652002205     | 1        |

## Embedded OS

| Part Number | Description                               |
|-------------|---|
| 2070014568  | img WES7P AIIS-3400/3410 x64 V5.8.0 10MUI |

\*7th generation CPU only supports Win10 OS

## Optional Accessories

| Part Number       | Description  |
|-------------------|--|
| 96PSA-A220W24P4-1 | 220Watt DC24 Adapter                                 |
| 1702002600        | Power cord 3-pin UL/CSA (USA) 125 V 10A 1.83 M 180D  |
| 1700022940-01     | Power cord PSE 7A 125 V 3P 3 m DAC-ST01              |
| 1702002605        | Power cord 2P (France) 10A/16A 220 V 1.83 M 90D      |
| 1700023217-01     | 8-CH DIO Cable for Wiring Board                      |
| ADAM-3925-AE      | 8-CH DIO DB-25 Wiring Terminal, DIN-rail Mount       |
| AIIS-DIO32-00A1E  | Isolated DIO module, 32-CH, 9-pin USB interface      |
| AIISE7301701-T    | Isolated DIO module, 32-CH, MIO with PCIe1 interface |
| PCL-10137-1E      | 32-CH DIO Cable 1M for Wiring Terminal               |
| ADAM-3937-BE      | 32-CH DIO DB-37 Wiring Terminal, DIN-rail Mount      |
| 9891341010E       | PCI riser module for additional PCI card             |

Note:

- AIIS-3410 supports the i-door module (both MOS and PCM series). Visit the Advantech website for more information.
- The PCM series module requires a bracket (P/N: 1960065854N001) that must be ordered separately.