

Four & Seven Port Industrial USB Hubs

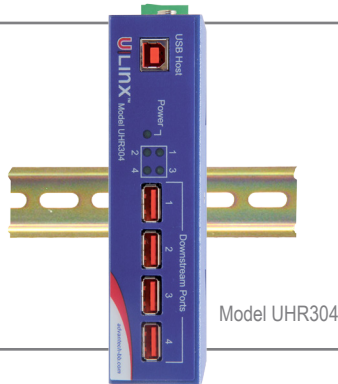
Models UHR204, UHR304, UHR207, UHR307

B+B SMARTWORX

Powered by

ADVANTECH

www.advantech-bb.com



Model UHR304

PRODUCT FEATURES

- Expands one USB port to 4 or 7 USB ports
- 4 kV isolation (Models UHR304, UHR307)
- 15 kV air, 8kV contact ESD protection
- 480 Mbps full speed or 122 Mbps at high speed (model specific)
- Wide operating temperature (-40 to +80 °C)
- Rugged metal case - desk, DIN rail or panel mount (brackets included)
- Specifications: FCC, CE, UL, EMC
- High retention USB port connectors
- USB 2.0 (refer to specification table)
- Includes USB cable

Models UHR204, UHR304, UHR207 and UHR307 are industrial-grade four and seven-port USB hubs. Models UHR304 and UHR307 include 4 kV isolation.

These hubs are designed and tested to meet heavy industrial EMC specifications allowing operation where standard office-grade hubs fail – such as near variable frequency drives, motor control centers, welding and other large electrical loads.

4 kV isolation (UHR304, UHR307) between the upstream and downstream USB ports protects expensive equipment from dangerous ground loops and helps ensure data integrity.

High retention USB connectors hold standard USB cables tight and are perfect for high vibration applications – requiring up to 3.2 lbs force to disconnect them.

These USB hubs are powered from an external 10 to 30 VDC source. Two power connectors are provided – terminal block or threaded/lockable barrel plug. (Refer to ordering information for power supply recommendation.) Each downstream port provides up to 500 mA of power to connected USB devices. Model UHR204 can also be bus-powered.

ORDERING INFORMATION

MODEL NUMBER	DOWNSTREAM PORTS	UPSTREAM PORTS	SPEED	ISOLATION?
UHR204*	4	1	480 Mbps, Full speed	-
UHR304*	4	1	12 Mbps, High speed	4kV
UHR207	7	1	480 Mbps, Full speed	-
UHR307	7	1	12 Mbps, High speed	4kV

* Bus powering option

ACCESSORIES - optional, sold separately

PS12VLB-INT-MED - 12VDC Power Supply, Medical Grade; US, EU, UK Blades (Class 2)

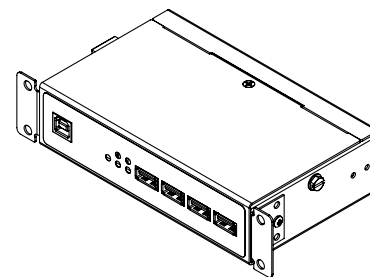
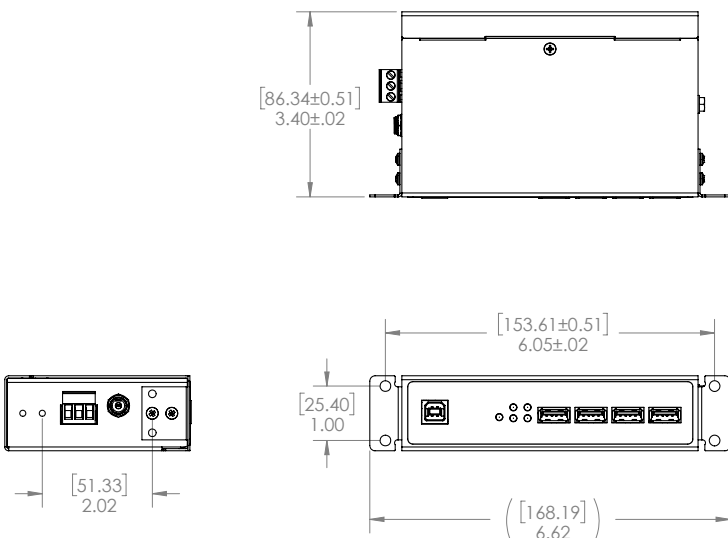
MDR-20-24 - 24VDC Power Supply, 1.0A, DIN Rail Mount (Class 2)

USBAMB-3F - Type A Male to Type B Male, Gray, 0.9 m (3 ft.)

USBAMB-6F - Type A Male to Type B Male, Gray, 1.8 m (6 ft.) one (included w/product)

MECHANICAL DIAGRAM - UHR204, UHR304

Units = inches [mm]



All product specifications are subject to change without notice.

UHRx04 & UHRx07_1918ds

Four & Seven Port Industrial USB Hubs

Models UHR204, UHR304, UHR207, UHR307



Model UHR207

SPECIFICATIONS

USB INTERFACE	
Standards	USB 1.1 & 2.0
Upstream Port	(1) Type B Female – High Retention
Downstream Ports	(7) Type A Female – High Retention (UHR207, UHR307) (4) Type A Female – High Retention (UHR204, UHR307)
Speed	12 Mbps (UHR304, UHR307) 480 Mbps (UHR204, UHR207) Multi-transaction Translator, 1 per port
Isolation	4 kV – Upstream to Downstream (UHR304, UHR307)
Surge Protection	+/- 0.5 kV DC Ports, +/- 1 kV Signal Ports
ESD	15 kV Air, 8 kV Contact
High Retention	USB ports require 15 N (3.2 lbs-force) withdrawal force using standard USB cable.
POWER	
Source	External - required for UHR304, UHR307, UHR207 Bus Powering - optional for UHR204
Power Connector	Terminal Block or Threaded Barrel Jack
Input Voltage	10 to 30 VDC
Power	16 Watts (UHR304, UHR204) 30 Watts (UHR307, UHR207)
Power TB	3 Position, 5.08 mm Spacing, 28-12 AWG, Solid Wire
Barrel Jack	Locking / Threaded, 5.5 mm, Center Positive
Downstream Power	500 mA per port
INDICATORS	
Power	Green LED
Port Ready	Green LED

MECHANICAL	
Dimensions (enclosure with brackets)	UHRx04: 16.82 x 8.63 x 3.50 cm (6.62 x 3.40 x 1.38 in) UHRx07: 23.32 x 11.94 x 3.50 cm (9.18 x 4.70 x 1.38 in)
Enclosure	IP30, metal
Mounting	Desk, DIN rail or panel mount
Weight	0.64 kg (1.4 lbs)
Meantime Before Failure (MTBF)	UHR304 - 190999 hours UHR204 - 211773 hours UHR307 - 143330 hours UHR207 - 151173 hours
MTBF Calc. Method	MIL 217F Parts Count Reliability
ENVIRONMENTAL	
Operating Temperature	-40 to +80 °C (0 to +40 °C when using wall plug power supply)
Storage Temperature	-40 to 85 °C
Operating Humidity	0 to 95% Non-condensing
APPROVALS, DIRECTIVES, STANDARDS	
Approvals	FCC, Class B, CE
Directives (EU)	2014/30/EU - Electromagnetic Compatibility Directive 2011/65/EU - Reduction of Hazardous Substances Directive (RoHS) 2012/19/EU - Waste Electrical and Electronic Equipment (WEEE)
Standards (EMC)	EN 55032: Class B - Electromagnetic Compatibility of Multimedia Equipment - Emission Requirements EN 55024 - Information Technology Equipment - Immunity Characteristics - Limits and Methods of Measurement EN 61000-6-3+A1 (Class B) - Generic Emission Standard for Residential, Commercial and Light Industrial Environments EN 61000-6-2 - Generic Immunity Standard for (Heavy) Industrial Environments
UL	Class 1/Division 2 Listed File: E245458

MECHANICAL DIAGRAM - UHR207, UHR307

Units = inches [mm]

