

DVP-7018HE

1-ch Full HD H.264 Mini PCIe Video Capture Card with SDK

NEW



Features

- 1 channel SDI channel video inputs with H.264 software compression
- 60/50 fps (NTSC/PAL) at up to full HD resolution for recording and display
- Mini PCIe x1 (Gen2) host interface
- Windows/Linux OS supported



Specifications

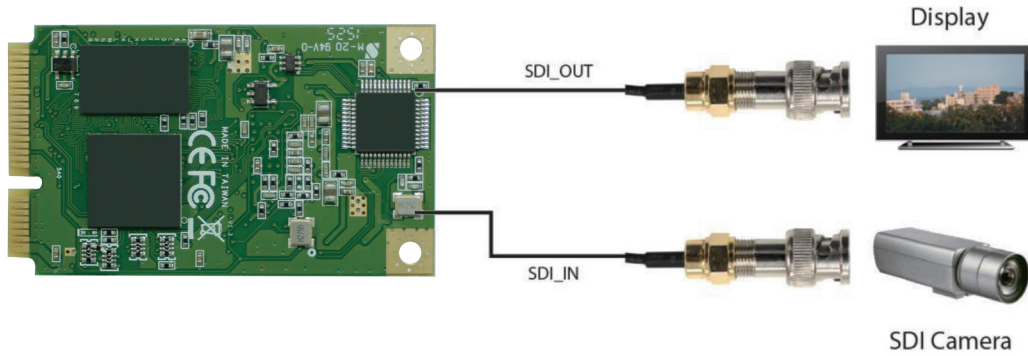
Video	Video Standard	NTSC/PAL
	Video Input	1 x SDI
	Compression	S/W H.264
	Max. Display Rate	60/50 fps @ 1920 x 1080p
	Max. Recording Rate	60/50 fps @ 1920 x 1080p
Audio	Audio Input	SDI Embedded Audio Audio L/R (2 x RCA through wafer connector to RCA cable)
	Format	Stereo / 16-bit / 32000 ~ 48000Hz
System Requirements	CPU (Display)	Intel® Core™ 2 Duo E2200 2.2 GHz
	CPU (Recording)	Intel® Core™ 2 Quad Q9400 2.6 GHz
	Memory	2 GB
	VGA	1024 x 768, DirectX 9.0c
	Operating System	Windows XP/XPe/Vista/7/8/8.1/10; Linux 2.6.14 or higher; 32/64 bits
Physical Characteristics	Host Interface	Mini PCIe x1 (Gen 2)
	Operating Temperature	-20 ~ 70 °C (-4 ~ 158 °F)
	Storage Temperature	-40 ~ 85 °C (-40 ~ 185 °F)
	Dimensions	30 x 50.95 (mm)
	Certification	CE/FCC

Versatile SDK Support (For Windows Only)

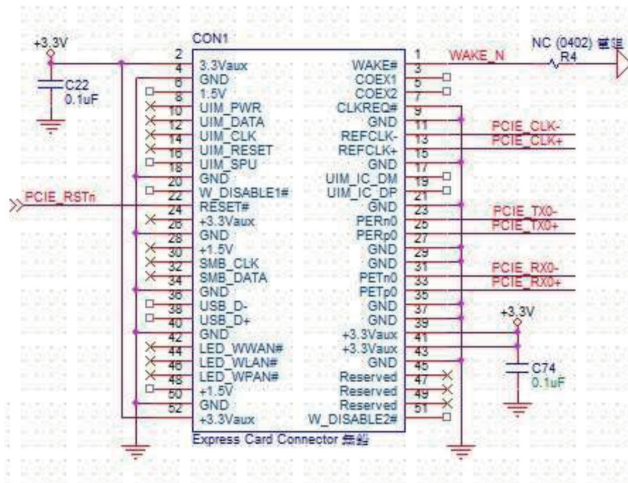
Advantech provides software development kit (SDK), a set of development tools that allows a software engineer to integrate video capture modules into different types of systems. Functions include video recording, playback and instant preview.

- Software Library
- SDK Manual
- Sample Program

Connection Diagram



Pin Define



Ordering Information

Part Number	Description
DVP-7018HE	1-ch Full HD H.264 MiniPCie Video Capture card with SDK
XKUO-A56-D009-V12	SDI Video cable (optional)

Packing List

Item	Amount
DVP-7018HE Capture Card	1pcs