

# MICA-101

## 10.4" Fanless Mobile Clinical Assistant



### Features

- Intel® Atom™ processor enables a fanless and low-noise system
- Compact size, lightweight, and rugged ergonomic design
- Certified IP54 dust and water-splash proof sealed system
- Reliable 5-wired resistive touchscreen
- Built-in 2.0 M pixel camera with Flash light
- Patient and asset identification through integrated camera and RFID reader
- Easy connectivity with Wi-Fi, and Bluetooth
- Optional image based barcode scanner, webcam

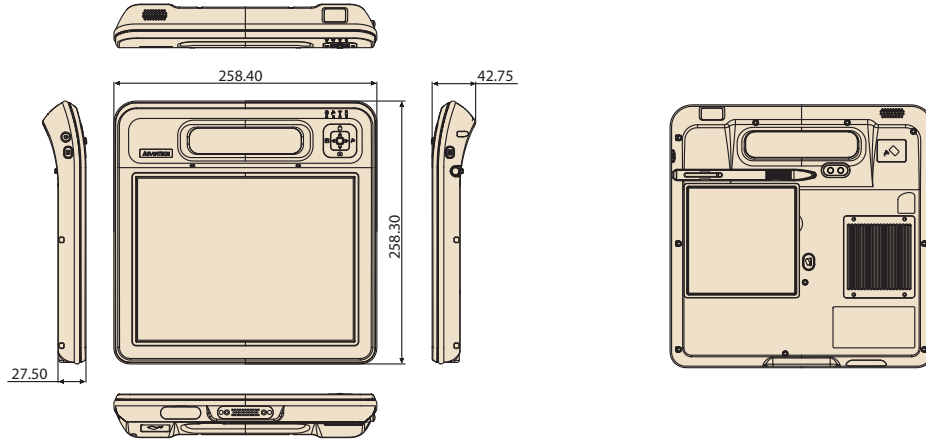


### Specifications

Computing System	Chipset	Intel US15W SCH
	CPU	Intel Atom Processor Z510 (1.1 GHz) / Z530 (1.6 GHz)
	Cache and FSB	512 KB on-die L2 cache and 400 MHz / 533 MHz FSB
	Memory	DDR2 SODIMM (2 GB)
	Operating System	Windows 7, optional WES7
Cooling		Fanless
Graphics	Controller	Intel Graphics Media Accelerator 500
	VRAM	8 MB
Storage	SSD	1 x 1.8" 64GB SSD
Display	Touch Panel	Resistive
	Display Type	10.4" XGA TFT LCD (1024 x 768)
	Max. Resolution / Max.color	1024 x 768 / 262 K (RGB 6-bit color data)
	Viewing Angle	178°/178°
	Luminance	340 cd/m <sup>2</sup> (typical)
	Contrast Ratio	600 : 1 (typical)
Communications	WIFI	Integrated Wireless 802.11 a/b/g/n connection
	Bluetooth	Integrated Bluetooth v2.0 + EDR
Audio		Internal speaker x 1, Internal mono microphone x 2
Connectivity	I/O Port Interfaces	Power-in jack x 1, Docking connector x 1, mini USB port x 1 * 2.0 Mega pixel camera with auto-focus and one LED light * 13.56 MHz RFID with ISO15693 & ISO14443A/B and active tag function * 1D/2D and UDSI Barcode scanner * 2.0 Mega pixel webcam option
	Embedded I/O Devices	* Power button * Screen lock button * Camera snapshot * Barcode button * RFID read trigger button * 3 programmable buttons: P1 default setting for entering S3 mode, P2 default setting for WIFI on/off, the centerpoint button has no default setting
System Indicators		Power x 1, WIFI x 1, RFID x 1, Bluetooth x 1
Power Supply	AC Adapter In / Out	100 - 240 V ~ 1.62 A 50/60 Hz / 15 V, 4.2 A Max, 63 W
	Battery Type / Capacity	Lithium-ion standard battery / 3760 mAh
	Battery Charge Time	2.5 hours
	Battery Operating Time	4 ~ 6 hours
Environment	Temperature	Operating: 0° C ~ 40° C, Storage: -20° C ~ 60° C
	Humidity	Operating: 10% ~ 90% @ 40° C non-condensing, Storage: 10% ~ 95% non-condensing
	Shock Resistance	Operating: 10 ~ 20 G, 11 ms, Non-operating: 50 G, 11 ms
	Water/Dust Resistance	IP54
	Drop Resistance	91 cm
Physical Characteristics	Dimensions (W x H x D)	258.4 x 258.3 x 42.75 mm
	Weight	1.5 kg (3.3 lbs.)
Standards	Safety	FCC Part 15 Class B, UL, CUL, CE, CB60950, CCC, R&TTE (99/5/EC)
	Battery Pack	UL2054 and UN38.3
Warranty		Standard 2 year warranty

## Dimensions

Unit: mm



## Ordering Information

Part Number	CPU	WebCam	Barcode	RFID	Camera	OS	Bluetooth
MICA-101-F21-C2E	1.6 G	Yes	Yes	Yes	Yes	Win 7	Yes
MICA-101-C20-C2E	1.6 G	-	Yes	-	Yes	-	-
MICA-101-C10-C2E	1.1 G	-	Yes	-	Yes	-	-

## Cradle Information

Part Number	LAN	COM	USB	VGA	VESA	Smart Card	Charger
MICA-101-VCRE	1	-	1	1	75	-	-
MICA-101-VCRE-BE	1	-	2	1	75	-	-
MICA-101-DCRE	1	1	4	1	75 & 100	Yes	Yes

\*Power Supply for cradle  
 Input voltage: 100 ~ 240 VAC , 1/0.5 A max. @ 50 ~ 60 Hz  
 Output voltage: +15 @ 4.2 A (63 watts), The same as with MICA-101

## Accessories

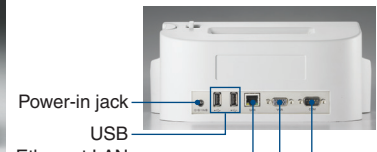
Part Number	Description
MICA-101-VCRE	VESA Cradle for MICA-101 Dimensions (W x D x H):263 x 212 x 35 mm; Weight 216 g
MICA-101-VCRE-BE	VESA Cradle for MICA-101 Dimensions (W x D x H): 263 x 212 x 35 mm; Weight 224 g
MICA-101-DCRE	Docking station for MICA-101 Dimensions (W x D x H): 264 x 140 x 107 mm; Weight 1.2 Kg
MICA-101-BATT-A1E	Battery pack for MICA-101, Weight 300 g
1702002600	Power cable (USA) 1.8 M
1702002605	Power cable (Europe) 1.8 M

## Packing List

Description	Quantity
Stylus pen	1
Power adapter	1
Battery	1
USB Type A to Mini B Cable	1
Warranty card	1
Software CD (Drivers and Utility, Recovery OS, Recovery Image)	3



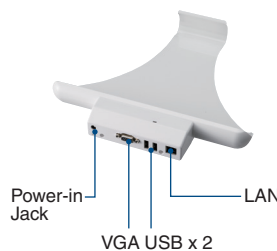
Smart Card Reader



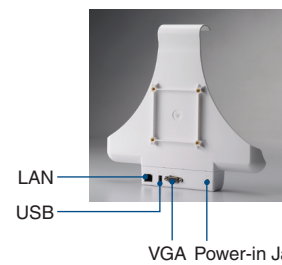
Power-in jack  
 USB  
 Ethernet LAN  
 VGA RS-232

MICA-101-DCRE Docking Station

MICA-101-DCRE Rear Side of Docking Station



I/O Ports for MICA-101-VCRE-BE



I/O Ports for MICA-101-VCRE