

# PPC-3150S

## 15" Fanless Panel PC with Intel® Celeron® N2930 Processor

**NEW**



### Features

- Industrial 15" TFT XGA LED panel with 50k lifetime backlight
- Durable 5-wire Resistive Touch Screen
- Embedded Intel® processor, quad core Celeron® N2930 1.83GHz onboard
- System memory up to 8 GB DDR3L SDRAM
- Compact Fanless Design with solid Al Alloy enclosure
- True-flat with IP65 certified front panel protection
- E-Eye Monitoring and Protection
- Supports Full-size Mini PCIe Expansion
- Supports USB 3.0
- Supports Windows Embedded and Android
- Supports VESA 75



### Introduction

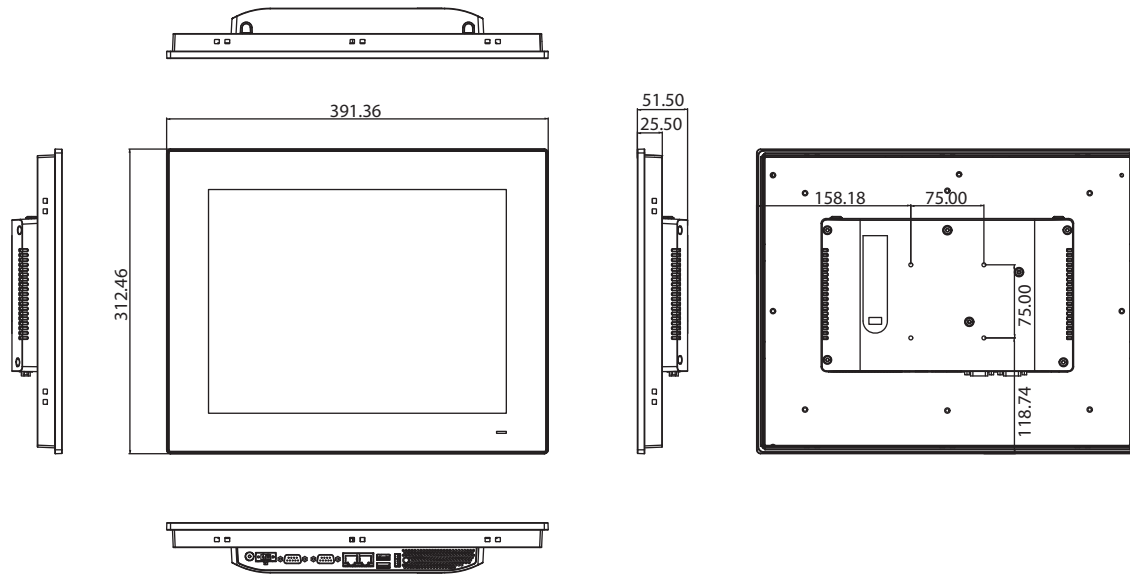
The PPC-3150S is a high value, ultraslim Panel PC with a 15" XGA LCD; the low power, Intel® Celeron N2930 1.83GHz processor provides high computing performance in a compact, fanless, embedded system. With a high durability design, the PPC-3150S is equipped with a true-flat touch screen with IP65 front panel protection, die-cast Al alloy enclosure, and 5-wire resistive touch screen. It supports two serial ports, three USB ports, and two GbE LANs to satisfy various industrial applications. To provide further system monitoring and protection, the E-Eye in the PPC-3150S rear cover gives clear indication of system operating status, for detection and analysis.

### Specifications

<b>Processor System</b>	CPU	Intel® Celeron® N2930, Quad core
	Frequency	1.83 GHz
	2nd Cache	2 MB
	Memory	1 x SO-DIMM, DDR3L 1333, Max 8 GB
	Storage	1 x 2.5" SATA Bay (Optional, need ordering bracket module for installation) 1 x mSATA Bay (default)
	Network (LAN)	2 x 10/100/1000 Mbps Ethernet (Intel I211-AT)
	I/O ports	2 x Serial ports: 1 x RS-232, 1x RS-232/422/485 (Adjustable through BIOS) 2 x USB 2.0, 1 x USB 3.0
	Expansion	1 x Full size Mini PCIe slot
<b>Physical Characteristics</b>	Watchdog Timer	255 timer levels, set up by software
	Dimensions	391.36 x 312.46 x 51.5mm(15.4" x 12.3" x 2.0")
<b>OS Support</b>	Weight	4Kg (8.8lb)
	OS Support	Microsoft® Windows 7 32bit&64bit/Windows 8.1 32bit&64bit/Windows 10 32bit&64bit/WES7/WEC 7/Linux/Android 4.4
<b>Power Consumption</b>	Input Voltage	12- 24 Vdc
	Power Consumption	20W (Burn-in test 7.0 in Windows 7 32 bit)
<b>LCD Display</b>	Display Type	15" TFT LCD (LED backlight)
	Resolution	1024 x 768
	Viewing Angle	80 (left), 80 (right), 70 (up), 70 (down)
	Luminance (cd/m <sup>2</sup> )	400
	Contrast Ratio	700
	Backlight Lifetime	50,000 hrs
<b>Touchscreen</b>	Touch Type	Resistive 5 wires
	Light Transmission	80±5% at 550 nm wavelength
	Controller	RS232 interface
	Durability (Touches)	36 million
<b>Environment</b>	Operating Temperature	0 ~ 50°C (32 ~ 122°F) with SSD 0 ~ 40°C (32 ~ 104°F) with HDD (HDD test condition:the SPEC of HDD temperature need more than or equal to 65°C)
	Storage Temperature	-40 ~ 60°C (-40 ~ 140°F)
	Relative Humidity	10 ~ 95% @ 40°C (non-condensing)
	Shock	Operating 10 G peak acceleration (11 ms duration), follow IEC 60068-2-27
	Vibration	Operating Random Vibration Test 5 ~ 500Hz, 1Grms @with HDD; 2Grms @with SSD, follow IEC 60068-2-64
	EMC	CE, FCC Class B, BSMI
	Safety	CB, CCC, BSMI, UL
Front Panel Protection	IP65 compliant	

## Dimensions

Unit: mm

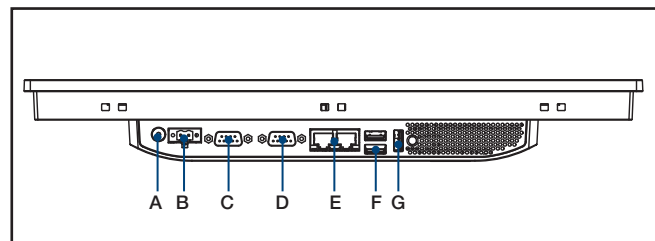


Cut-out Dimensions: 382 x 303 mm

## Ordering Information

Part No.	Description
PPC-3150S-RAE	Intel Celeron N2930 Fanless Panel PC with 15" XGA LED backlight
PPC-3100S-HDDE	Bracket module for 2.5" SSD/HDD installation
96PSA-A90W190T-1	ADP A/D 100-240V 90W 19V W/PFC
PPC-WLAN-B1E	Wi-Fi Module with Antenna Cable 40cm for PPC
PPC-ARM-A03	ARM VESA Standard (A-CLEVER) for PPC series
PPC-174T-WL-MTE	Wall mount kit for PPC series
PPC-Stand-A1E	Stand for PPC series
98R3612000E	mSATA/CFast to USB card reader
98R3415010E	Front USB on cabinet module with Cable 100cm
1700001524	Power cord 3P UL 10A 125V 1.8M
170203183C	Power cord 3P Europe (WS-010+083) 183cm
1700008921	Power cord 3P/3P 1.8M PSE
96CB-POWER-B-1.8M	Power code 3P CCC(China) 1.8M
2070014862	Image WIN10ENT LTSB 64-bit PPC-3150S Multi V6.01
2070014419	Image WS7P 64-bit PPC-3150S Multi V4.14
2070014473	Image WEC7 PPC-3120S MUI v4.01

## I/O Appearance



- A. Power Switch
- B. DC-In
- C. RS-232
- D. RS-232/422/485
- E. 2 x RJ45 LAN
- F. 1 x USB 2.0, 1 x USB 3.0
- G. USB 2.0