

TPC-1251H

TPC-1551H

12.1" & 15" TFT LED LCD Intel® Celeron™ Thin Client Terminal

China Project



Features

- 12.1" & 15" XGA TFT LCD with LED Backlight
- Intel® Celeron J1900 2 GHz Quad-core processor with 4GB DDR3L SDRAM
- Traditional bezel with IP65 certified front panel protection
- Front LED Indicator to Show Operating Status
- Durable 5-wire Resistive Touch Screen
- Full-size Mini PCIe Expansion Support
- Supports iDoor technology for diverse applications (optional accessory required)
- Compact Fanless Embedded System with Al Alloy Front Bezel, Chassis Grounding Protection
- Supports Advantech SNMP Subagent
- Supports Advantech SusiAccess Remote Device Management Software

Introduction

The TPC-1251H & TPC-1551H thin client terminal with a 12.1"/15" XGA LCD, low power embedded Intel® Celeron™ J1900 2 GHz Quad-core Processor and 4GB (8GB optional) DDR3L SDRAM provides computing performance in a compact fanless system. TPC-1251H and TPC-1551H are with traditional front bezel and touch screen designed with IP65 front protection, die-cast Al Alloy front bezel and 5-wire resistive touch. It includes full size mini-PCIe slot to extend the functionality and meet a variety of automation applications needs. Through the Mini-PCIe slot, Advantech iDoor technology (optional) can provide more I/O connectors, Isolated Digital IO, the Fieldbus Protocol, 3G/GPS/GPRS/Wi-Fi Communication and Battery-backup MRAM.

Specifications

General

- **BIOS** AMI UEFI
- **Certification** BSMI, CCC, CE, FCC Class A, UL
- **Cooling System** Fanless design
- **Dimensions (W x H x D)** 311.80 x 238 x 57.2 mm (12.28" x 9.37" x 2.25")
- **Enclosure** Front bezel: Die-cast Aluminum alloy
Back housing: SECC
- **Mounting** Desktop, Wall or Panel Mount
- **OS Support** Microsoft® WES7 64bit / WE8S 64bit / Windows 7 32bit/64bit / Windows 8 64 bit
- **Power Consumption** 45.6 W (Typical)
- **Power Input** 24 V_{DC} +/- 20%
- **Watchdog Timer** 1 ~ 255 sec (system)
- **Weight (Net)** 2.5 KG

System Hardware

- **CPU** Intel® Celeron™ J1900 2 GHz Quad-core Processor
- **Memory** 4GB (8GB optional) DDR3L 1600MHz SO-DIMM SDRAM
- **LAN** 10/100/1000 Base-T x 2
- **Expansion Slots** Full-size Mini PCI-E
- **Storage** CFast slot x 1
2.5" SATA SSD slot x 1 (optional)
- **I/O** RS-232 x 1, RS-232/422/485 x 1
USB 3.0 x 1
USB 2.0 x 1

LCD Display

	TPC-1251H	TPC-1551H
▪ Display Type	XGA TFT LED LCD	XGA TFT LED LCD
▪ Display Size	12.1"	15"
▪ Max. Resolution	1024 x 768	1024 x 768
▪ Max. Colors	16.2M	16.2M
▪ Luminance cd/m²	500	250
▪ Viewing Angle (H/V°)	160/140	160/140
▪ Backlight Life	30,000 hrs	50,000 hrs
▪ Contrast Ratio	700:1	700:1

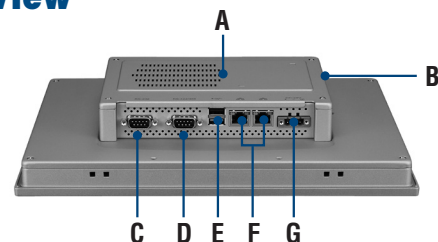
Touchscreen

- **Lifespan** 36 million touches at single point
- **Light Transmission** Above 75%
- **Resolution** Linearity
- **Type** 5-wire, analog resistive

Environment

- **Humidity** 10 ~ 95% RH @ 40°C, non-condensing
- **Ingress Protection** Front panel: IP65
- **Operating Temperature** 0~55°C
- **Storage Temperature** -20 ~ 60°C
- **Vibration Protection** With CFast: 2 Grms (5~500 Hz)
With HDD: 1 Grms (5 ~ 500 Hz)
(Operating, random vibration)

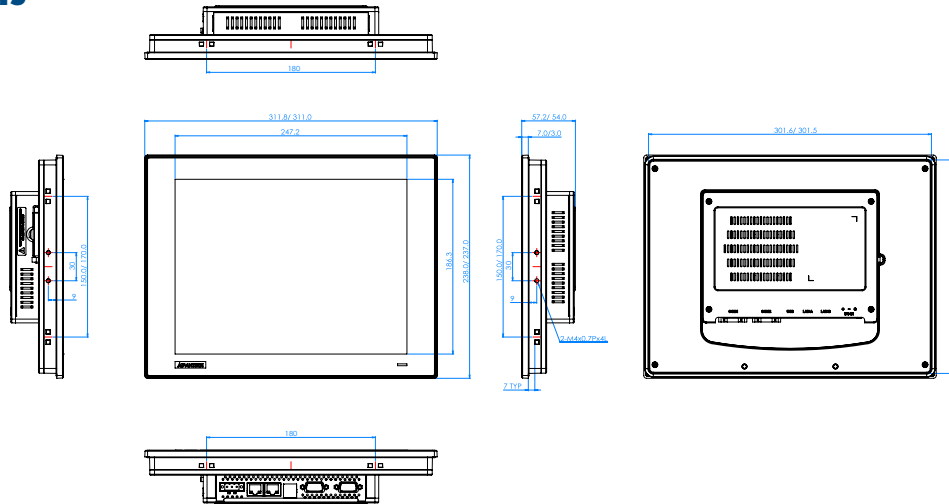
Rear View



- A. External HDD/iDoor kit (TPC-1251T-EHKE) (Optional)
- B. CFast
- C. RS-232
- D. RS-232/422/485
- E. USB 3.0 & 2.0
- F. LAN (10/100/1000)
- G. Power Receptor

Dimensions

Unit: mm



TPC-1251H Panel Cut-out Dimensions: 303 x 229 mm (11.93" x 9.02")





Ordering Information

- **TPC1251HE3A1601E-T** 12.1" XGA Panel PC, Intel® Celeron™ J1900 2 GHz Quad-core Processor, 4GB (True-flat touch screen)
- **TPC1551HE3A1601E-T** 15" XGA Panel PC, Intel® Celeron™ J1900 2 GHz Quad-core Processor, 4GB (True-flat touch screen)

Accessories

- **PWR-247-BE** 63W DC 24V/2.62A Output Power Supply
- **TPC-1251T-EHKE** HDD and iDoor extension kit
- **1702002600** Power Cable US Plug 1.8 M
- **1702002605** Power Cable EU Plug 1.8 M
- **1702031801** Power Cable UK Plug 1.8 M
- **1700000596** Power Cable China/Australia Plug 1.8 M
- **TPC-1000H-WMKE** TPC VESA Mounting Kit from 10" to 17" TPC
- **TPC-1000H-SMKE** TPC Stand kit from 10" to 17" TPC

Application Software

	<p>Version : V2.1 or above</p> <p>An innovative remote device management software, allowing efficient remote monitoring, quick recovery & backup, and real-time remote configuration, to create a more intelligent and interconnected embedded computing solution.</p>
	<p>Version : V7.1 or above</p> <p>WebAccess, as the core of Advantech's IoT solution, is full web browser-based software package for HMI and SCADA software. All HMI and SCADA software features including: Animated Graphics Displays, Real-time Data, Control, Trends, Alarms and Logs, are available in a standard web browser. WebAccess is built around the latest internet technologies. With its open architecture, vertical domain applications can easily be integrated.</p>
	<p>Version : V2.0.3.8 or above</p> <p>Panel Express, a windows based HMI mini SCADA, realizes the cross platform flexibility offered by WebOP Designer to switch hardware for the consideration of cost and performance become an easy job. Panel Express software provides the best economic and express solution for data intensive high-end HMI applications.</p>
	<p>Version : V2.0.3.8 or above</p> <p>An easy to use integrated development tool featuring solution-oriented screen objects, high-end graphics, Windows fonts for multi-language applications. WebOP runtime, a part of WebOP Designer, guarantees reliability and performance because of the minimum system overhead, high communication data rates, and sub-second screen switching.</p>