

TREK-734

8" All-in-One Light-Duty Mobile Data Terminal with Freescale ARM® Cortex™ Processor



Features

- Freescale ARM® Cortex™-A9 i.MX 6DualLite processor with Android 5.1
- 8" high-brightness (750 nits) display with multi-touch control
- GNSS (GPS/GLONASS), Wi-Fi, BT, LTE/HSPA+
- 2 x front-facing speakers, 2 x microphones, and 5 x programmable function keys
- Optional accessories include high-density cable, mount kit, IP54-rated I/O cover, internal backup battery pack (7.2 V/2450mAh) and external antennas

Introduction

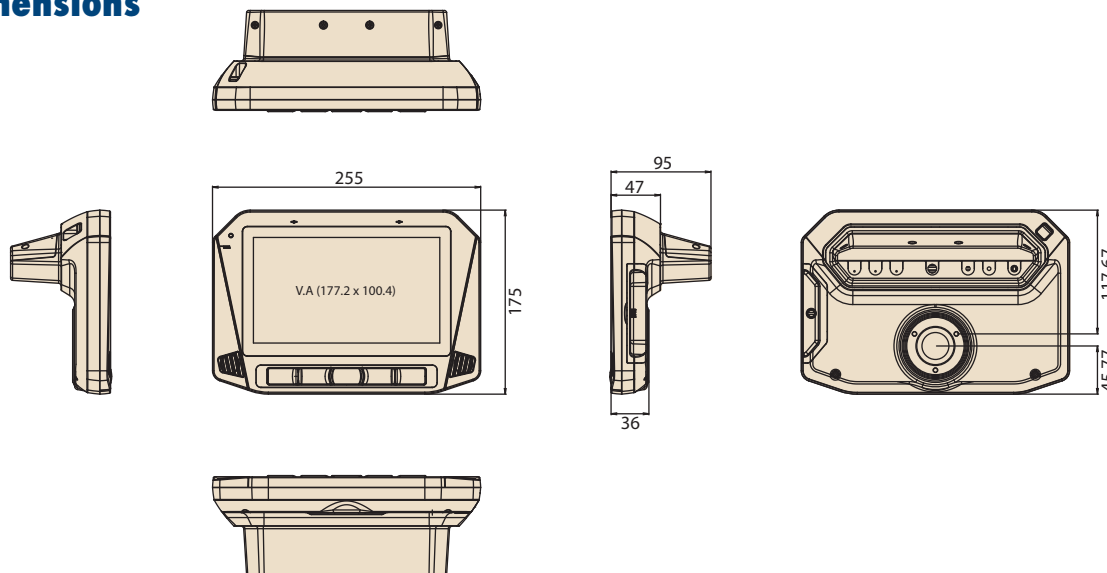
TREK-734 is a RISC-based open platform all-in-one light-duty mobile data terminal equipped with an 8" display, Freescale ARM® Cortex™-A9 i.MX 6DualLite processor, Android 5.1 OS, 1 GB memory, and LTE networking capabilities to enable high-performance computing for fleet management applications. LTE capabilities transform the terminal into a wireless network hub that supports Wi-Fi, BT, and GPS communication to facilitate location tracking and route optimization. The built-in backup battery ensures an uninterrupted power supply by providing up to 30 minutes of emergency power in the event of a power failure. Certified to MIL-STD 810G standards for vibration tolerance, TREK-734 can withstand operation in light-duty vehicles. Moreover, three external antenna ports are provided for enhanced network communication in order to effectively support critical outdoor applications.

Specifications

| | | |
|---------------------------------|---|--|
| Product Name | TREK-734 | |
| System | Processor | Freescale ARM® Cortex™-A9 i.MX 6DualLite (1 GHz) |
| | Memory | 1 GB DDR3 (supports up to 2 GB) |
| | Storage | 4 GB onboard eMMC (supports up to 8 GB) 1 x Micro SD slot (externally accessible) |
| | Watchdog | Yes |
| | RTC | Yes |
| | OS | Android 5.1.1 |
| RF | GNSS | u-blox MAX-M8Q (GPS, BD, GLONASS, Galileo) |
| | WLAN | IEEE 802.11 b/g/n |
| | BT | Bluetooth V4.0 |
| | WWAN | LTE, HSPA+, GSM/GPRS/EDGE, WCDMA |
| | Voice Call | N/A |
| | Wake-on-WWAN | N/A |
| | SIM | 1 x SIM |
| | External Antenna | 1 x WLAN, 1 x WWAN, 1 x GPS (TNC type) |
| | Display | Size/Type |
| Max. Resolution | | 1024 x 600 |
| Brightness (cd/m ²) | | 750 nits |
| Viewing Angle (R/L/B/T) | | 70/80/80/80 |
| Backlight Life | | 20,000 hrs |
| Touchscreen | Capacitive (multi-touch) | |
| Brightness Control | Light sensor for automatic dimming | |
| Function Key | 5 x Programmable function keys with green LED backlight | |
| I/O | Vehicle I/O (via high-density connector) | 1 x CAN bus (supports raw CAN, J1939, OBD-II/ISO 15765) |
| | Generic I/O (via high-density connector) | 4 x Isolated DI/2 x DO |
| | | 1 x 4-wire RS-232, 1 x 2-wire RS-232 |
| | | 1 x CVBS-In |
| | | 1 x Mic-In |
| Standard I/O | 1 x Line-In (R & L) | |
| | 1 x Line-Out (R & L) | |
| | 1 x USB 2.0 Type A host | |
| Vehicle Power Design | Indicators | 1 x mini USB debugging (5 pin) 1 x USB 2.0 Type A host |
| | Power Button | 1 x LED (Power) |
| | Reset Button | Yes |
| | Input Voltage | 9 ~ 32 V _{DC} |

Dimensions

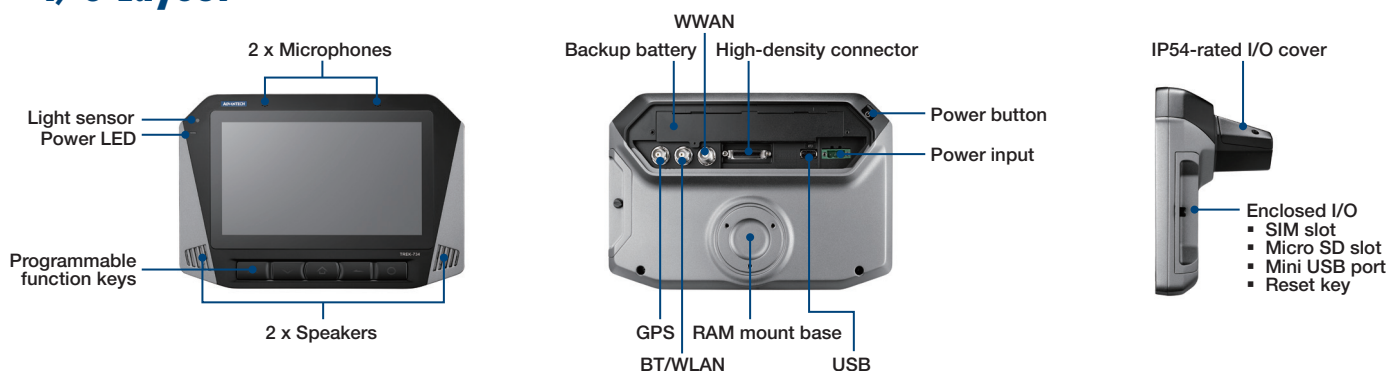
Unit: mm



Specifications Cont.

| | | |
|----------------|------------------------|--|
| Environment | Power Regulation | E-Mark, ISO 7637-2, SAE J1455, SAE J1113 |
| | IP Rating | IP54 |
| | Operating Temperature | -20 ~ 70 °C (-4 ~ 158 °F) without backup battery |
| | Storage Temperature | -30 ~ 80 °C (-22 ~ 176 °F) |
| Certifications | EMC/Safety | CE, FCC, UL/cUL, CCC, CB |
| | Vehicle Power | e-Mark, ISO 7637-2, SAE J1455, SAE J1113 |
| | Shock/Vibration | MIL-STD-810G, SAE J1455 |
| Physical | Dimensions (W x H x D) | 255 x 175 x 95 mm (10.04 x 6.88 x 3.74 in) with IP-rated I/O cover 255 x 175 x 47 mm (10.04 x 6.88 x 1.85 in) |
| | Weight | 1.3 kg (2.86 lb) |

I/O Layout



Ordering Information

| Part Number | Description |
|--------------------|--|
| TREK-734C-LWBADA0E | TREK-734 terminal with i.MX 6 1 GB DDR3, 4 GB eMMC, Android 5.1, LTE EU MC7304 |
| TREK-734C-LWBADBOE | TREK-734 terminal with i.MX 6 1 GB DDR3, 4 GB eMMC, Android 5.1, LTE NA MC7354 |
| TREK-734C-LWBDCOE | TREK-734 terminal with i.MX 6 1 GB DDR3, 4 GB eMMC, Android 5.1, Huawei 909 |
| TREK-734C-WBADA0E | TREK-734 terminal with I. MX6 1GB,4GB , Android5.1 WLAN/ BT/GNSS only |

Optional Accessories

| Part Number | Description |
|----------------|---------------------------------------|
| 1760002560-01 | Backup battery pack 7.2V 2450mAh 2S1P |
| TREK-734-IP000 | IP54-rated I/O cover |
| 1700026766-01 | High-density connector cable |
| 1750008571-01 | WLAN/BT external antenna (BNC) |
| 1750008570-01 | WWAN/GPS external antenna (BNC) |