

Modbus Gateway EKI-122X Redundancy - By Bridge and Virtual Gateway



Advantech iConnectivity
AE Audrey Wang

Outline

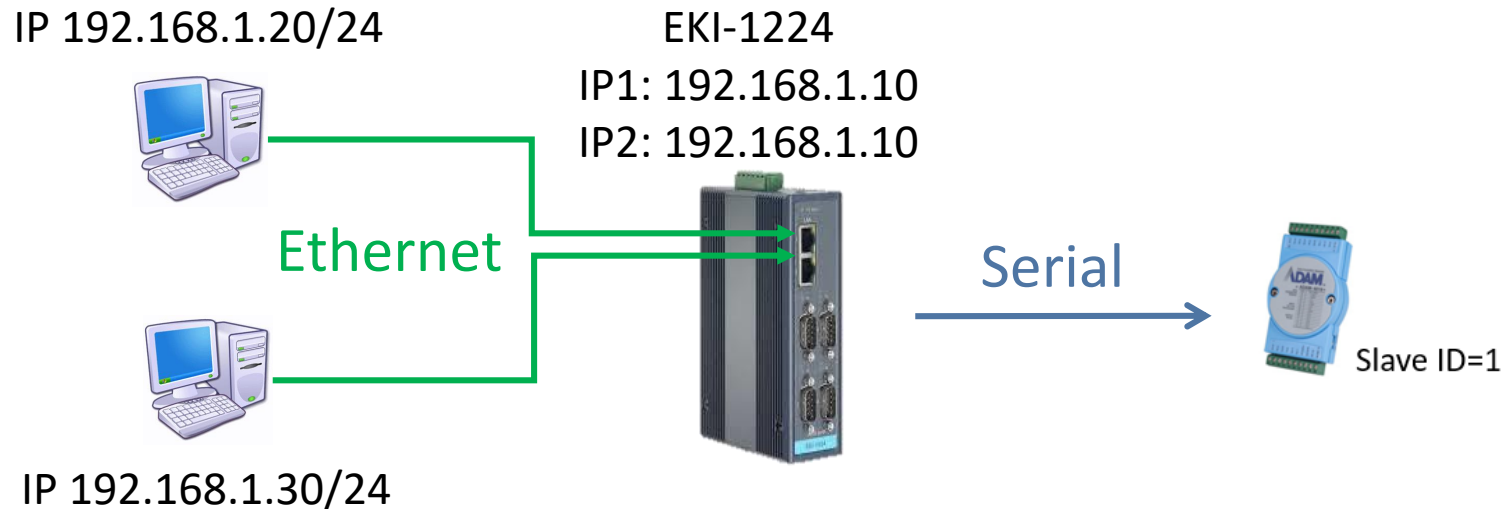
- Redundant Topology
- Setting SOP

Redundant Topology

Redundant Topology - Bridge

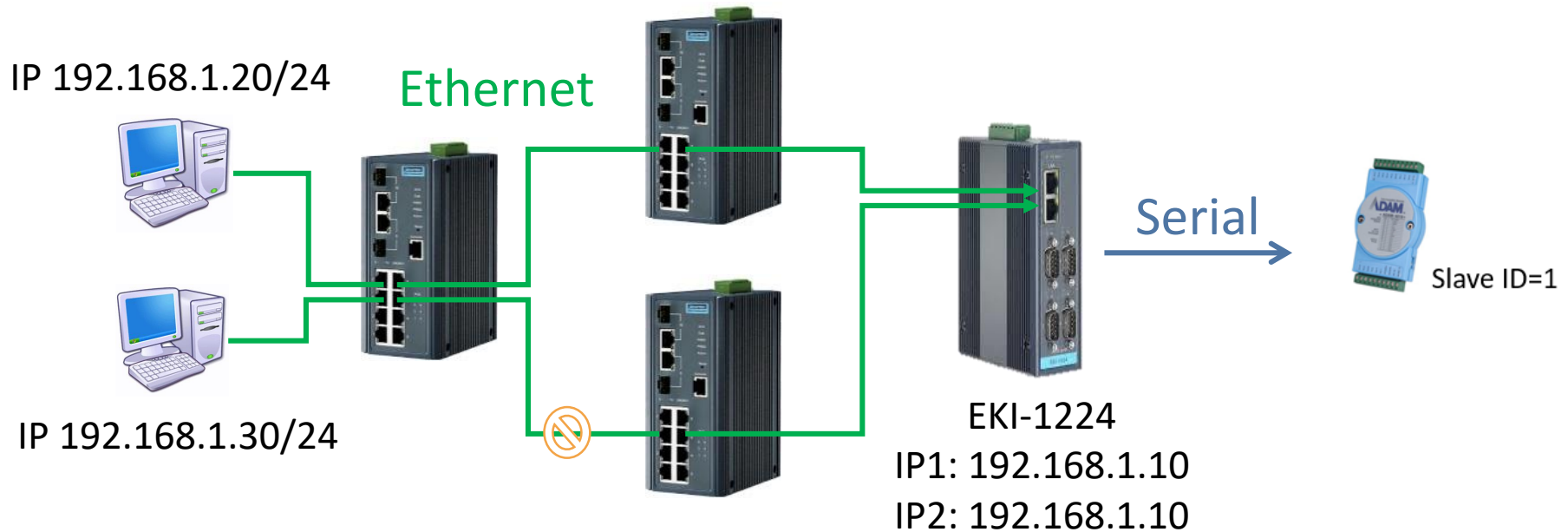
- Bridge

- Set the 2 Ethernet interfaces as Bridge mode, and set the Ethernet Bridge with static IP. This allows the 2 Ethernet Ports became a 2-port switch using the same IP.



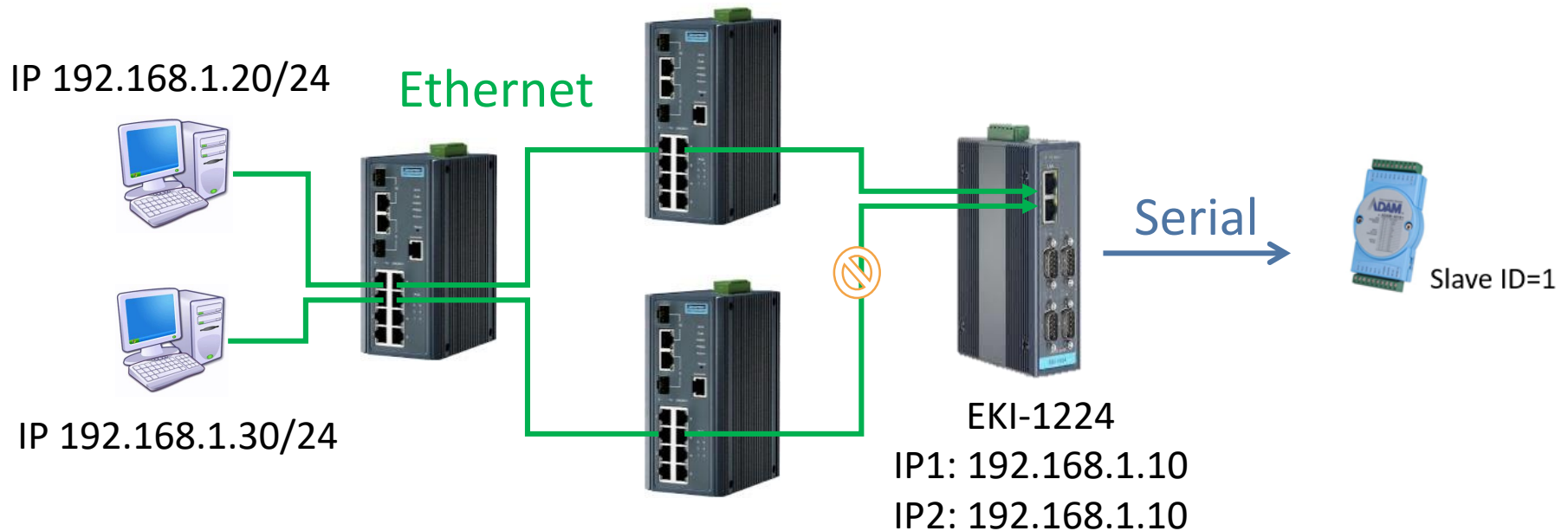
- Bridge – STP Enable

- Support STP that could work with other STP-Enabled devices.
- The block port will be determined by all the devices running STP.



- Bridge – Redundant Mode Enable

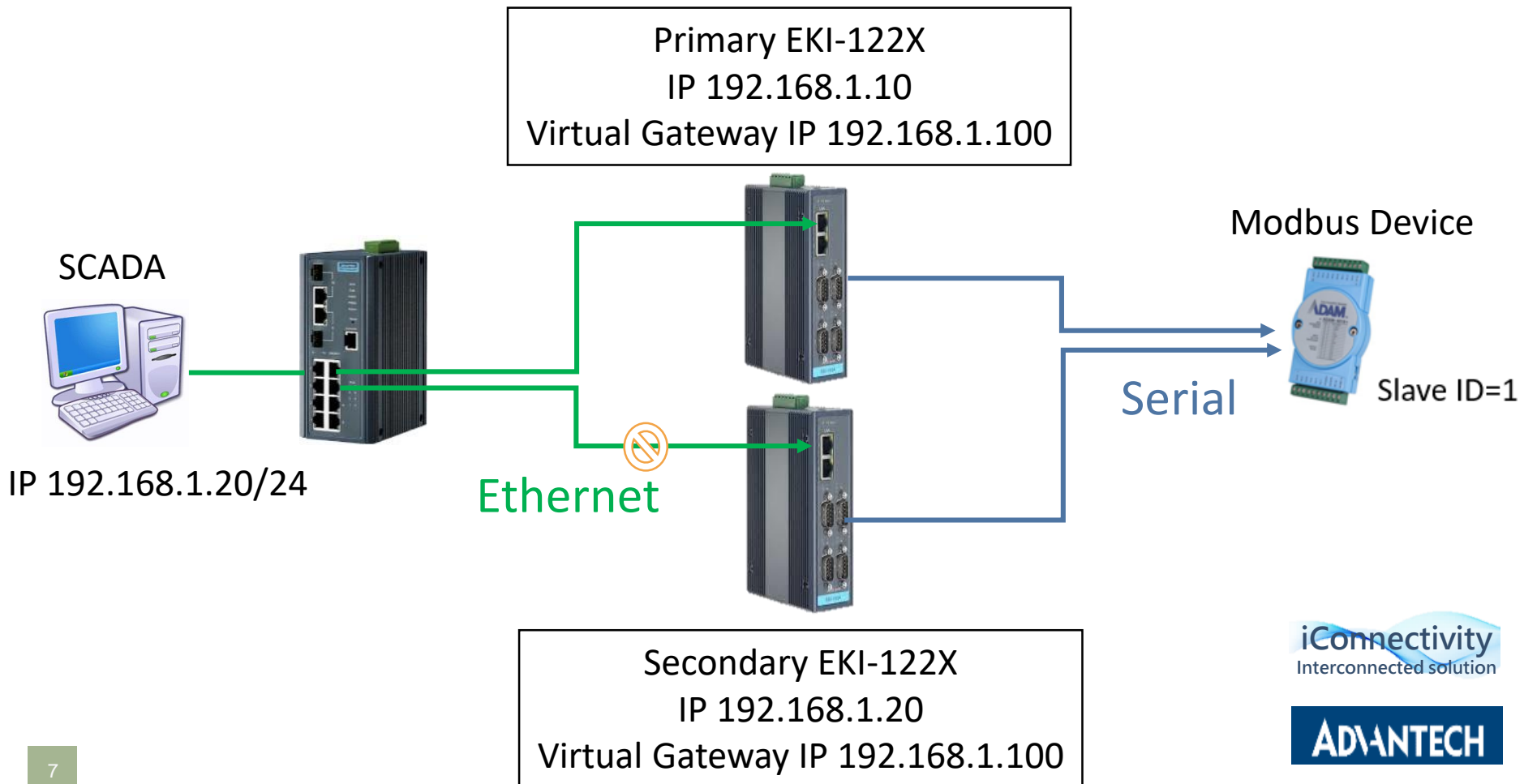
- Support Redundant Mode to link both Ethernet cables to the same switch and block one of the link by EKI itself.
- Default is to block Eth2.



Redundant Topology - Virtual Gateway

- Virtual Gateway

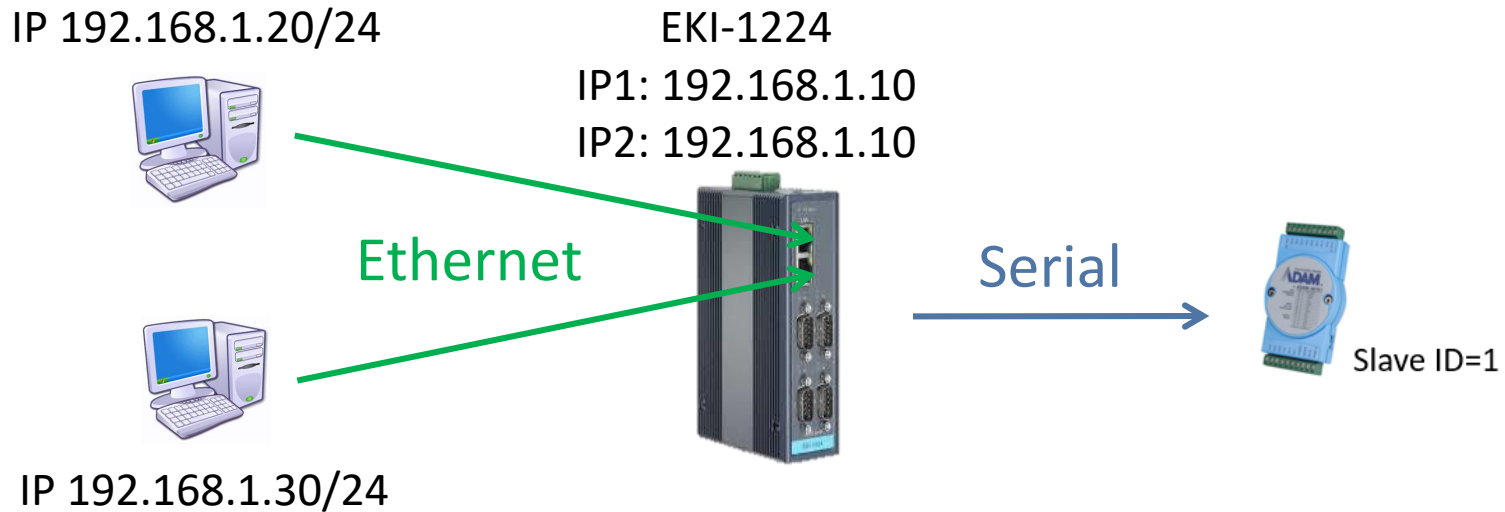
- Virtual gateway is redundant function for EKI in the same network.
- Use 2 EKI-122X and both devices can set virtual gateway in one IP.
- The SCADA builds the connection by the virtual gateway IP.



Configuration SOP

Redundant Topology - Bridge

- Bridge



Configuration – Bridge (1/2)

- IP Setting

Set Eth1 and Eth2 in Bridge mode.

- Ethernet Configuration
 - Eth 1
 - Eth 2
 - Ethernet Bridge
- Port Configuration
- Monitor
- Syslogd
- Tools

Eth1 Configuration

IPv4 Configuration

Mode	Bridge
MAC Address	74-FE-48-54-17-1C

Current Status

IP 1	fe80::76fe:48ff:fe54:171c
------	---------------------------

Save

- Ethernet Configuration
 - Eth 1
 - Eth 2
 - Ethernet Bridge
- Port Configuration
- Monitor
- Syslogd
- Tools

Eth2 Configuration

IPv4 Configuration

Mode	Bridge
MAC Address	74-FE-48-54-17-1D

Current Status

IP 1	Currently unavailable
------	-----------------------

Save

Configuration – Bridge (2/2)

- Ethernet Bridge Setting

Both Eth interface use the same IP. Users can enable STP or Redundant mode.

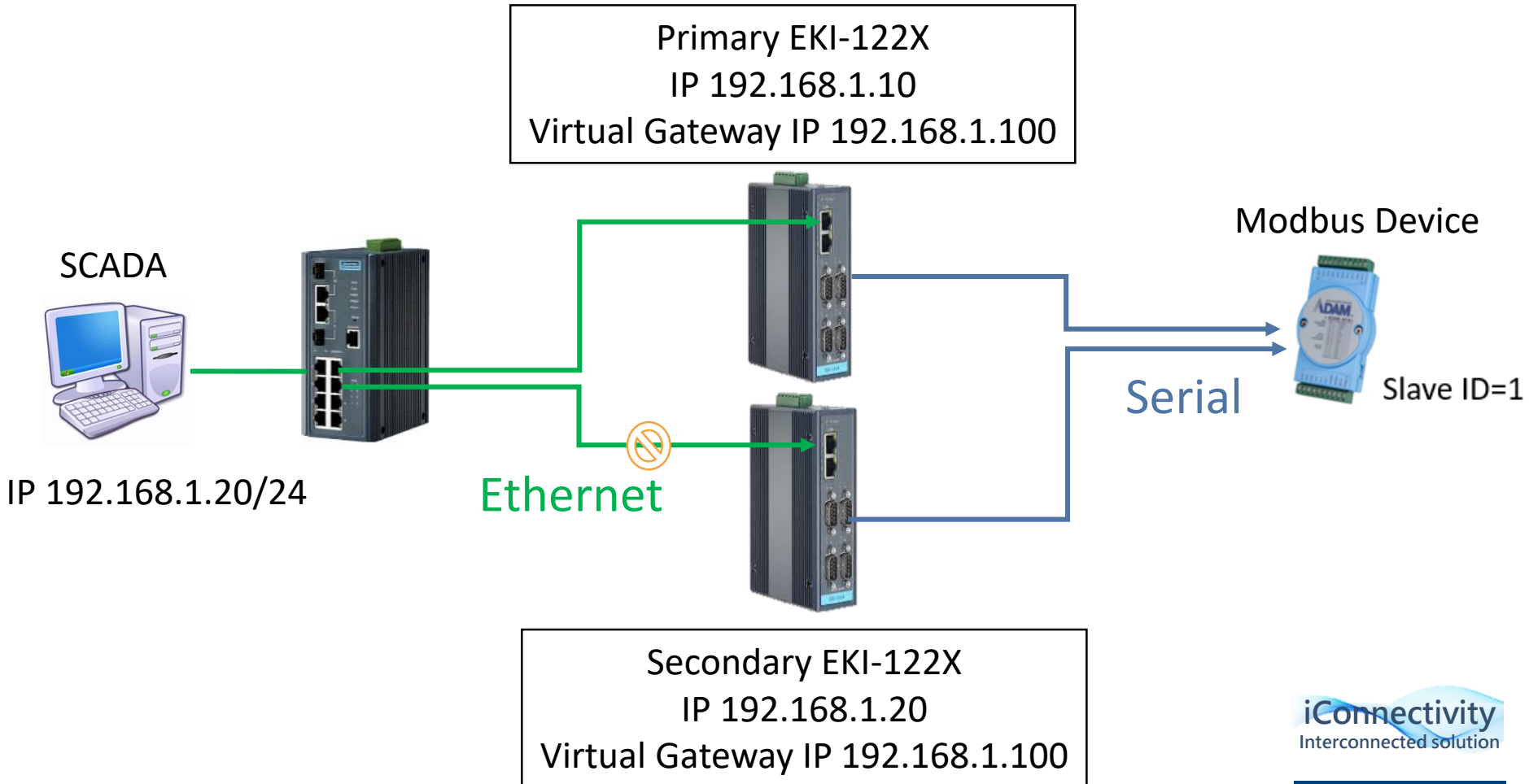
STP mode runs spanning tree protocol with other connected devices .

Redundant mode will block one Eth port on EKI-122X and it will judge to active the block port automatically.

The screenshot displays the configuration page for a network bridge (Br1). On the left is a navigation menu with options: Ethernet Configuration, Eth 1, Eth 2, Ethernet Bridge (selected), Port Configuration, Monitor, Syslogd, Tools, and Management. The main content area is titled 'Br1 Configuration' and is divided into two sections: 'IPv4 Configuration' and 'Spanning Tree Protocol Configuration'. In the IPv4 section, the Mode is set to 'Static IP'. The MAC Address field is empty. The IP Address is 192.168.1.10, the Subnet Mask is 255.255.255.0, and the Default Gateway is 0.0.0.0. In the Spanning Tree Protocol section, the STP option is set to 'Disable' (radio button selected) and 'Enable' is unselected. The Redundant Mode option is also set to 'Disable' (radio button selected) and 'Enable' is unselected.

Configuration - Virtual Gateway

- Virtual Gateway



Configuration - Virtual Gateway

- Virtual Gateway Settings

Primary EKI-122X

Virtual Gateway Settings

Virtual Gateway Disable Enable

Interface

Virtual IP

ID (1 - 255)

Priority

Secondary EKI-122X

Virtual Gateway Settings

Virtual Gateway Disable Enable

Interface

Virtual IP

ID (1 - 255)

Priority

