

# How to use canbus

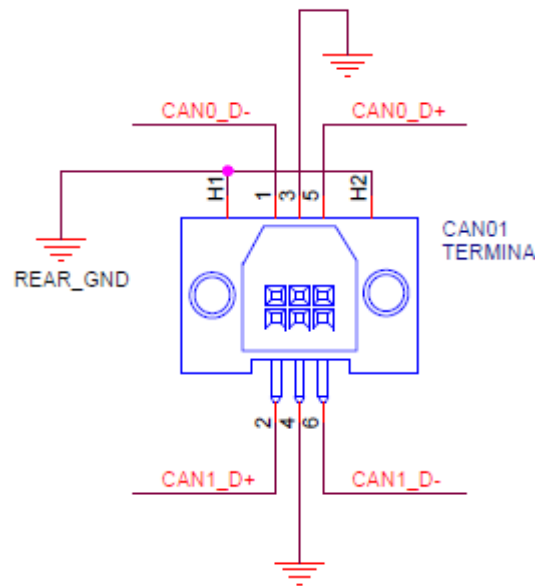
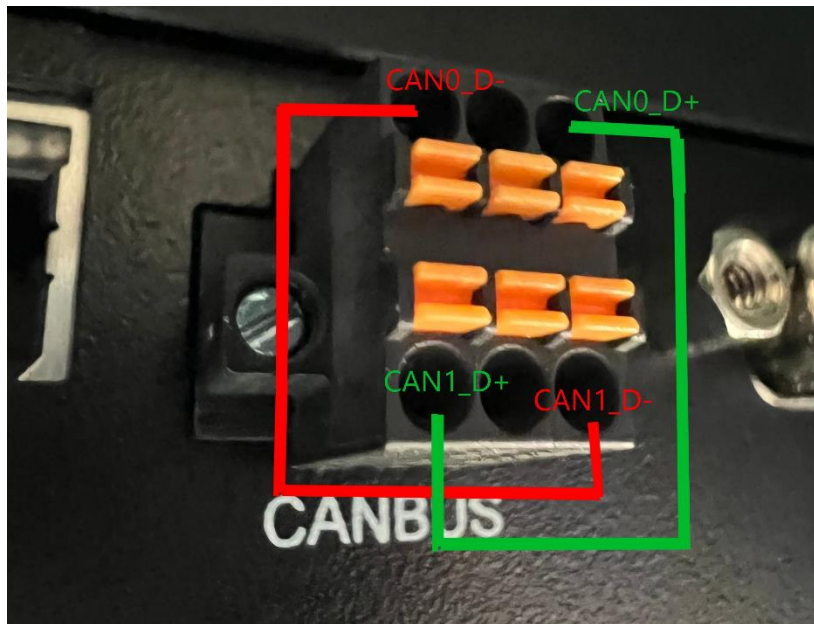


EIoT AE Jackhsuan.Liao

2023/04/25

# How to use canbus

- Connect AIR-030's canbus.



# How to use canbus

- At the sender and receiver, we need to open terminal and type the following command:
  - \$ sudo -s # Password: **ubuntu**
  - \$ modprobe can
  - \$ modprobe can-dev
  - \$ modprobe mttcan
  - \$ ip link set canX type can bitrate 500000
  - \$ ip link set canX up
- You can use the \$ ifconfig -a to check is the canbus ready to use.

# How to use canbus

- At the sender and receiver, open terminal and type the following command to send data and receive data:

Sender:

– \$ cansend can0 123#abcdabcd

Receiver:

– \$ candump can0

# How to use canbus

- Sender send data and receiver receive data

```
ubuntu@nvair030a1: /media/ubuntu/AETOOLS
ubuntu@nvair030a1: /media/ubuntu/AETOOLS$ sudo modprobe can-dev
ubuntu@nvair030a1: /media/ubuntu/AETOOLS$ sudo modprobe mttcan
ubuntu@nvair030a1: /media/ubuntu/AETOOLS$ sudo ip link set can0 type can bitrate
500000
ubuntu@nvair030a1: /media/ubuntu/AETOOLS$ sudo ip link set can1 type can bitrate
500000
ubuntu@nvair030a1: /media/ubuntu/AETOOLS$ sudo ip link set can1 up
ubuntu@nvair030a1: /media/ubuntu/AETOOLS$ sudo ip link set can0 up
ubuntu@nvair030a1: /media/ubuntu/AETOOLS$ candump can1
can1 123 [4] AB CD AB CD
can1 123 [4] AB CD AB CD
can1 123 [4] AB CD AB CD
can1 123 [4] AB CD AB CD
can1 123 [4] AB CD AB CD
^Cubuntu@nvair030a1: /media/ubuntu/AETOOLS$ candump can0
can0 123 [4] AB CD AB CD
can0 123 [4] AB CD AB CD
can0 123 [4] AB CD AB CD
can0 123 [4] AB CD AB CD
```

```
$ modprobe can
$ modprobe can-dev
$ modprobe mttcan
$ ip link set canX type can
bitrate 500000
$ ip link set canX up
$ cansend canX 123#abcdabcd
$ candump canX
```

```
ubuntu@nvair030a1: /media/ubuntu/BLUEAE
BLUEAE$ cansend can0 123#abcdabcd
BLUEAE$ cansend can0 123#abcdabcd
BLUEAE$ cansend can0 123#abcdabcd
BLUEAE$ cansend can0 123#abcdabcd
BLUEAE$ cansend can0 123#abcdabcd
ubuntu@nvair030a1: /media/ubuntu/BLUEAE$ cansend can1 123#abcdabcd
ubuntu@nvair030a1: /media/ubuntu/BLUEAE$ cansend can1 123#abcdabcd
ubuntu@nvair030a1: /media/ubuntu/BLUEAE$ cansend can1 123#abcdabcd
ubuntu@nvair030a1: /media/ubuntu/BLUEAE$ cansend can1 123#abcdabcd
ubuntu@nvair030a1: /media/ubuntu/BLUEAE$
```

# Contact Window and File Link

- **EIoT AE:** Jackhsuan.liao **Ext. 9319**
- **E-mail:** [Jackhsuan.liao@advantech.com.tw](mailto:Jackhsuan.liao@advantech.com.tw)

*Go Together,  
We Go Far and Grow Big*

