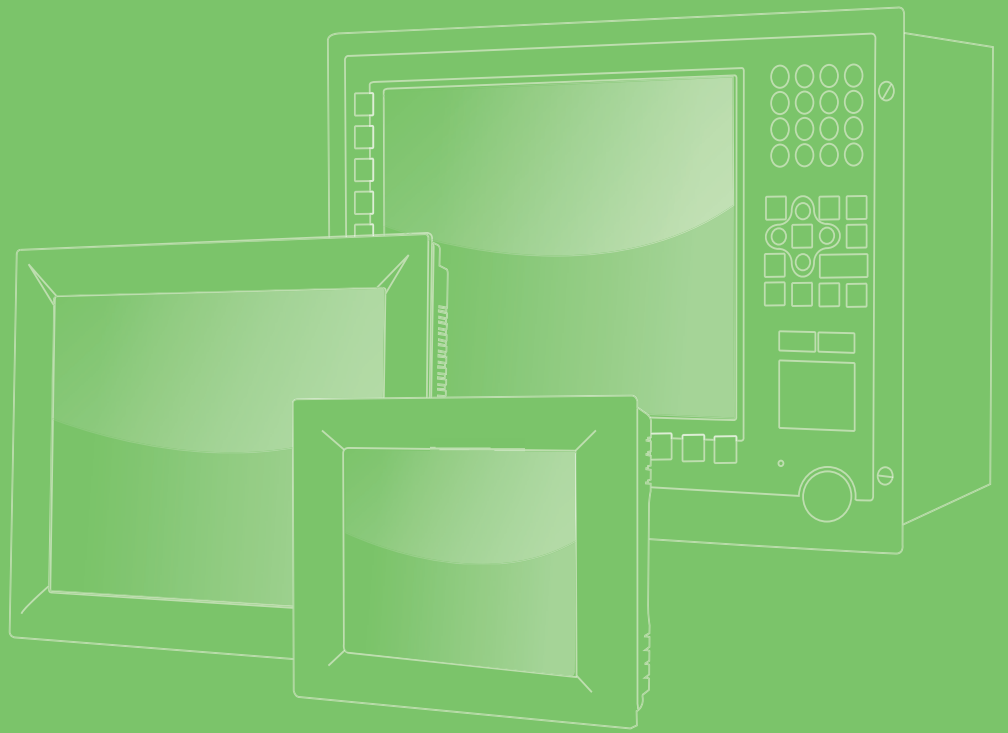


User Manual



TPC-1250H/1550H/ 1750H

**Industrial Touch Panel
Computers with Intel[®] Atom[™]
Processors**

ADVANTECH
eAutomation

Copyright

The documentation and the software included with this product are copyrighted 2012 by Advantech Co., Ltd. All rights are reserved. Advantech Co., Ltd. reserves the right to make improvements in the products described in this manual at any time without notice. No part of this manual may be reproduced, copied, translated or transmitted in any form or by any means without the prior written permission of Advantech Co., Ltd. Information provided in this manual is intended to be accurate and reliable. However, Advantech Co., Ltd. assumes no responsibility for its use, nor for any infringements of the rights of third parties, which may result from its use.

Acknowledgements

Intel and Pentium are trademarks of Intel Corporation.

Microsoft Windows and MS-DOS are registered trademarks of Microsoft Corp.

All other product names or trademarks are properties of their respective owners.

This Manual Covers the Following Models:

- TPC-1250H
- TPC-1550H
- TPC-1750H

Product Warranty (2 years)

Advantech warrants to you, the original purchaser, that each of its products will be free from defects in materials and workmanship for two years from the date of purchase.

This warranty does not apply to any products which have been repaired or altered by persons other than repair personnel authorized by Advantech, or which have been subject to misuse, abuse, accident or improper installation. Advantech assumes no liability under the terms of this warranty as a consequence of such events.

Because of Advantech's high quality-control standards and rigorous testing, most of our customers never need to use our repair service. If an Advantech product is defective, it will be repaired or replaced at no charge during the warranty period. For out-of-warranty repairs, you will be billed according to the cost of replacement materials, service time and freight. Please consult your dealer for more details.

If you think you have a defective product, follow these steps:

1. Collect all the information about the problem encountered. (For example, CPU speed, Advantech products used, other hardware and software used, etc.) Note anything abnormal and list any onscreen messages you get when the problem occurs.
2. Call your dealer and describe the problem. Please have your manual, product, and any helpful information readily available.
3. If your product is diagnosed as defective, obtain an RMA (return merchandise authorization) number from your dealer. This allows us to process your return more quickly.
4. Carefully pack the defective product, a fully-completed Repair and Replacement Order Card and a photocopy proof of purchase date (such as your sales receipt) in a shippable container. A product returned without proof of the purchase date is not eligible for warranty service.
5. Write the RMA number visibly on the outside of the package and ship it prepaid to your dealer.

Declaration of Conformity

CE

This product has passed the CE test for environmental specifications when shielded cables are used for external wiring. We recommend the use of shielded cables. This kind of cable is available from Advantech. Please contact your local supplier for ordering information.

FCC Class A

Note: This equipment has been tested and found to comply with the limits for a Class A digital device, pursuant to part 15 of the FCC Rules. These limits are designed to provide reasonable protection against harmful interference when the equipment is operated in a commercial environment. This equipment generates, uses, and can radiate radio frequency energy and, if not installed and used in accordance with the instruction manual, may cause harmful interference to radio communications. Operation of this equipment in a residential area is likely to cause harmful interference in which case the user will be required to correct the interference at his own expense.

Technical Support and Assistance

1. Visit the Advantech web site at <http://support.advantech.com> where you can find the latest information about the product.
2. Contact your distributor, sales representative, or Advantech's customer service center for technical support if you need additional assistance. Please have the following information ready before you call:
 - Product name and serial number
 - Description of your peripheral attachments
 - Description of your software (operating system, version, application software, etc.)
 - A complete description of the problem
 - The exact wording of any error messages

Safety Instructions

1. Read these safety instructions carefully.
2. Keep this User Manual for later reference.
3. Disconnect this equipment from any AC outlet before cleaning. Use a damp cloth. Do not use liquid or spray detergents for cleaning.
4. For plug-in equipment, the power outlet socket must be located near the equipment and must be easily accessible.
5. Keep this equipment away from humidity.
6. Put this equipment on a reliable surface during installation. Dropping it or letting it fall may cause damage.
7. The openings on the enclosure are for air convection. Protect the equipment from overheating. **DO NOT COVER THE OPENINGS.**
8. Make sure the voltage of the power source is correct before connecting the equipment to the power outlet.
9. Position the power cord so that people cannot step on it. Do not place anything over the power cord.
10. All cautions and warnings on the equipment should be noted.
11. If the equipment is not used for a long time, disconnect it from the power source to avoid damage by transient overvoltage.
12. Never pour any liquid into an opening. This may cause fire or electrical shock.
13. Never open the equipment. For safety reasons, the equipment should be opened only by qualified service personnel.
14. If one of the following situations arises, get the equipment checked by service personnel:
 - The power cord or plug is damaged.
 - Liquid has penetrated into the equipment.
 - The equipment has been exposed to moisture.
 - The equipment does not work well, or you cannot get it to work according to the user's manual.
 - The equipment has been dropped and damaged.
 - The equipment has obvious signs of breakage.
15. **DO NOT LEAVE THIS EQUIPMENT IN AN ENVIRONMENT WHERE THE STORAGE TEMPERATURE MAY GO BELOW -20° C (-4° F) OR ABOVE 60° C (140° F). THIS COULD DAMAGE THE EQUIPMENT. THE EQUIPMENT SHOULD BE IN A CONTROLLED ENVIRONMENT.**
16. **CAUTION: DANGER OF EXPLOSION IF BATTERY IS INCORRECTLY REPLACED. REPLACE ONLY WITH THE SAME OR EQUIVALENT TYPE RECOMMENDED BY THE MANUFACTURER, DISCARD USED BATTERIES ACCORDING TO THE MANUFACTURER'S INSTRUCTIONS.**

The sound pressure level at the operator's position according to IEC 704-1:1982 is no more than 70 dB (A).

DISCLAIMER: This set of instructions is given according to IEC 704-1. Advantech disclaims all responsibility for the accuracy of any statements contained herein.

Caution! *Danger of explosion if battery is incorrectly replaced. Replace only with the same or equivalent type recommended by the manufacturer. Dispose of used batteries according to the manufacturer's instructions.*



Chapter 1	General Information	1
1.1	Introduction	2
1.2	Specifications	2
1.2.1	System Kernel.....	2
1.2.2	I/O Ports.....	2
1.2.3	Safety and Environment.....	2
1.3	LCD Specifications	3
1.4	Touchscreen Specifications	3
1.5	Power	3
1.6	I/O Ports Arrangement	4
	Figure 1.1 I/O Port Arrangement	4
1.7	Panel Mounting	4
	Figure 1.2 Panel Mounting.....	4
1.8	Dimensions and Cutout.....	5
	Figure 1.3 TPC-1250H Dimensions.....	5
	Figure 1.4 TPC-1550H Dimensions.....	6
	Figure 1.5 TPC-1750H Dimensions.....	7
Chapter 2	System Setup	9
2.1	System Setup.....	10
	Figure 2.1 Unpack the Package	10
	Figure 2.2 Install CompactFlash Memory Card	11
	Figure 2.3 Power Connector and Power Lines	11
	Figure 2.4 Power Receptor & Button Pin Assignment.....	12
2.1.1	Installing the Drivers	12
Chapter 3	Features in Windows XP Embedded	13
3.1	Features in Windows XP Embedded	14
3.2	EFW	14
3.3	HORM	14
Appendix A	Serial Port Settings	15
A.1	Jumper Settings & Connector List.....	16
A.2	Pin Assignment	16
A.3	RS-485 / RS-422 Setting.....	16

Chapter 1

General Information

1.1 Introduction

The TPC-1250H/1550H/1750H Touch Panel Computers are state-of-the-art Human Machine Interfaces featuring 12"/15"/17" displays with Intel Atom N270 processors and the following key features:

- **Fanless**
By using a low-power processor, the system does not have to rely on fans, which often are unreliable and causes dust to circulate inside the equipment.
- **Multiple OS**
In addition to the OS support of Windows XP, Advantech offers platform support for WES7 and Windows XP embedded. The optional Windows CE operating system, specifically for Industrial Touch Panel Computers is also available.
- **Energy Star Approval**

1.2 Specifications

1.2.1 System Kernel

- **CPU:** Intel® Atom™ N270 1.6GHz
- **BIOS:** Award 4 Mbit flash BIOS
- **System Chipset:** 945GSE + ICH7M
- **Memory:** 2GB SO-DIMM DDR2 667 SDRAM
- **VGA:** Integrated in 945GSE
- **Ethernet:** 10/100/1000Base-T
- **Watchdog Timer:** W83627DHG watchdog timer; 1.6 second timeout period
- **Storage:** CFast® slot or 2.5" SATA HDD bundled with extension HDD kit(TPC-651H-EHKE) x 1

1.2.2 I/O Ports

- **2 serial ports:** RS-232 x 1, RS-232/422/485 x 1
- 2 RJ-45 Ethernet port
- **2 USB 2.0 Ports:** compliant with USB 1.0 and 1.1. (Host)

1.2.3 Safety and Environment

Safety

- FCC Class A
- CE certificated
- The front bezel is compliant with NEMA 4 and IP65

Environment

- **Operating Temperature:**
 - 0 ~ 45°C (32 ~ 113°F)
- **Storage Temperature:**
 - -20 ~ 60°C (-4 ~ 140°F)
- **Humidity:** 40°C @ 10~95% relative humidity (non-condensing)
- **Vibration:** 2 grms (5 ~ 500 Hz) with CF Card, 1 grm with HDD kit

1.3 LCD Specifications

TPC-1250H/1550H/1750H	
Display Type	TFT LCD
Size (diagonal)	12.1", 15", 17"
Maximum Resolution	800 x 600 (SVGA), 1024 x 768 (XGA), 1280 x 1024 (SXGA)
Maximum Colors	262K
Viewing Angle	160°/140°, 160°/140°, 170°/160°
Luminance (cd / m2)	450, 300, 350
Contrast Ratio	700:1, 700:1, 1000:1
Operating Temperature	-30 ~ 85°C
Backlight	LED

Note! There might be several bright or dark pixels on the LCD. This phenomenon is normal in today's LCD manufacturing.



1.4 Touchscreen Specifications

- **Touch Type:** Resistive
- **Base Glass Construction:** Tempered glass
- **Resolution:** 1024 x 1024
- **Light Transmission:** 80% ± 3% (Measured by BYK-Gardner)
- **Controller:** RS-232 Interface
- **Lifespan:** 10 million touches at single point

Note! Touchscreen ITO maybe crash duo to heavy usage .



1.5 Power

- **Input Voltage:** 18 - 28 V_{DC}, 18 - 32 V_{DC}(TPC-1750H)

Note! The fuse will become an open circuit if the input level exceeds 29 V_{DC}



- **Typical:** 24 V_{DC} @ 1.54 Amp

1.6 I/O Ports Arrangement

The arrangement of the I/O ports is shown in Figure 1.1.



Figure 1.1 I/O Port Arrangement

1.7 Panel Mounting

1. There is an adhesive waterproof gasket on the AL front bezel. Make sure the waterproof gasket is in position before installing TPC into the panel opening.
1. Install the TPC into the panel opening.
2. Find the eight clamps and eight long screws in the accessory pack. Hook the clamps to the holes around the four sides of the bezel. Insert the screws into every clamp and fasten them. These screws will push the mounting panel and fix the unit.
3. The suggested mounting panel thickness is less than 6 mm (0.236").



Figure 1.2 Panel Mounting

1.8 Dimensions and Cutout

- **Weight:** 2.5 kg (5.51 lb), 3 kg (5.51 lb), 3.5kg (6.43 lb)
- **Dimensions (W x H x D):**
 - 1250H: 311 x 237 x 54 mm (12.24" x 9.33" x 2.12")
 - 1550H: 383 x 307 x 58.1 mm (15.08" x 12.09" x 2.29")
 - 1750H: 413.7 x 347.2 x 63.8 (16.28" x 13.68" x 2.5")
- **Cutout:**
 - TPC-1250H: 302.5 x 228.5 mm
 - TPC-1550H: 374.5 x 298.5 mm
 - TPC-1750H: 399.5 x 333

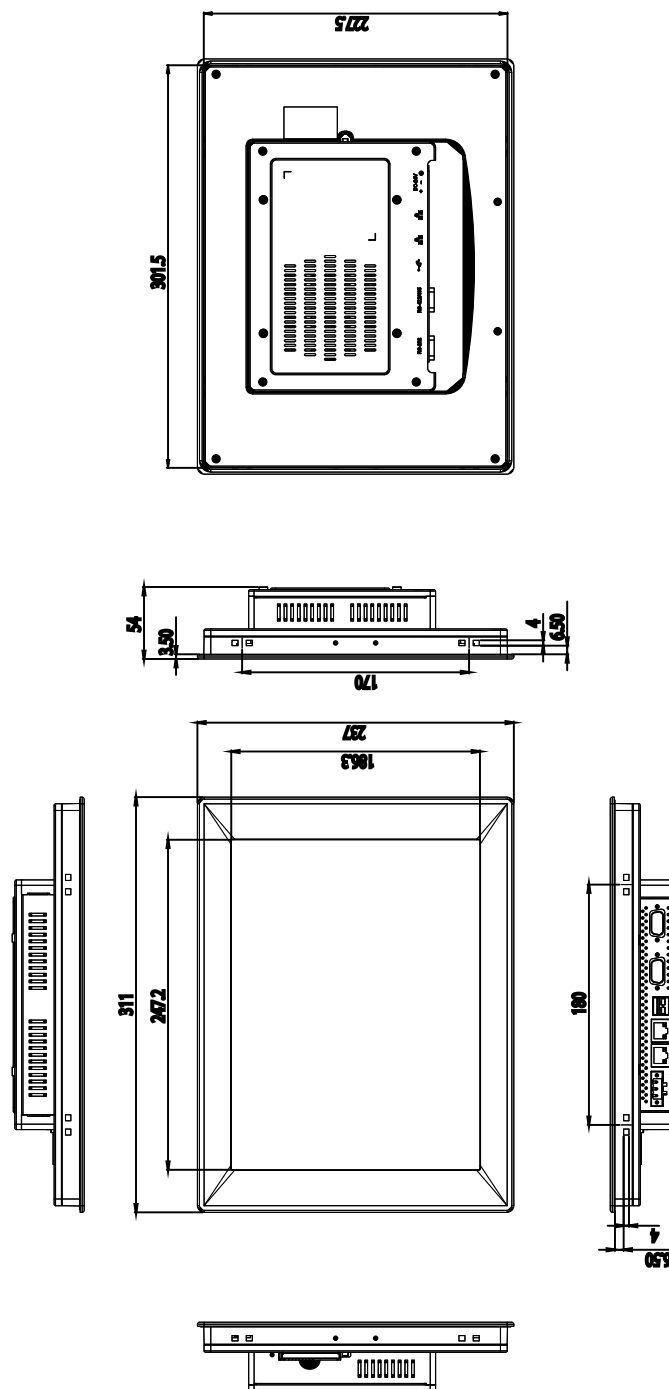


Figure 1.3 TPC-1250H Dimensions

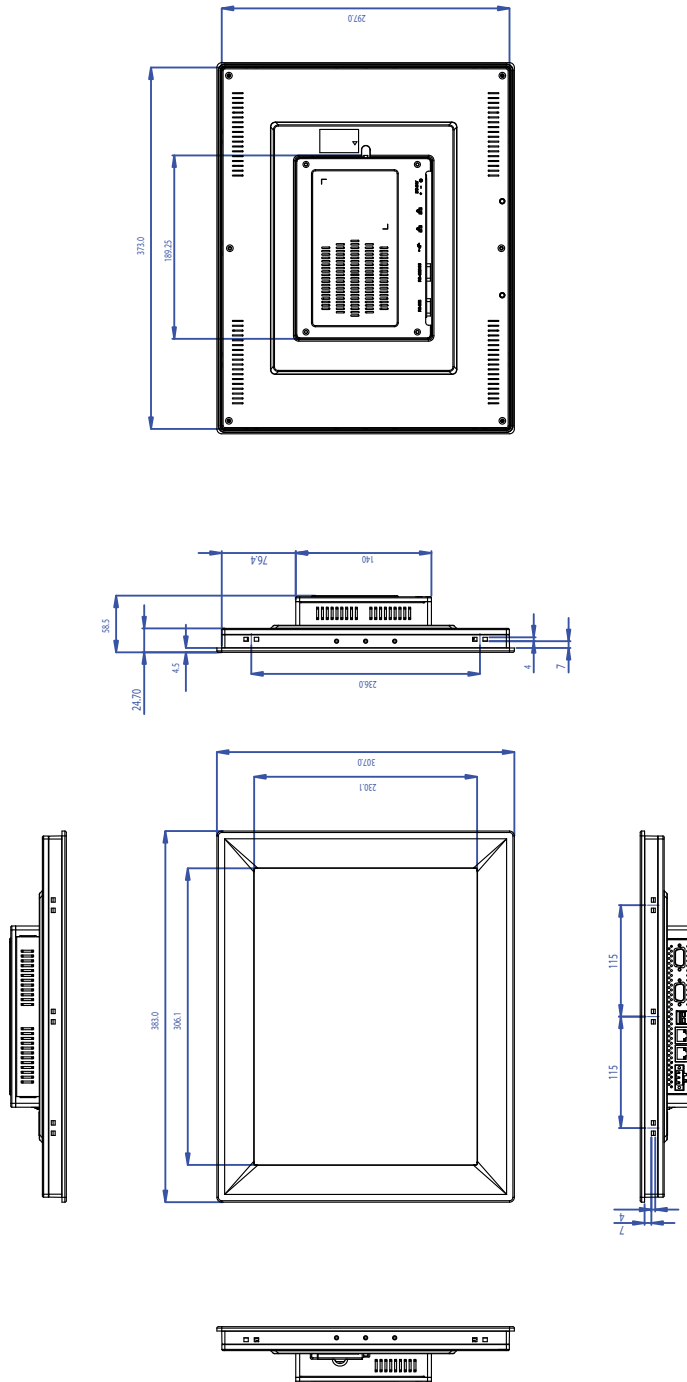


Figure 1.4 TPC-1550H Dimensions

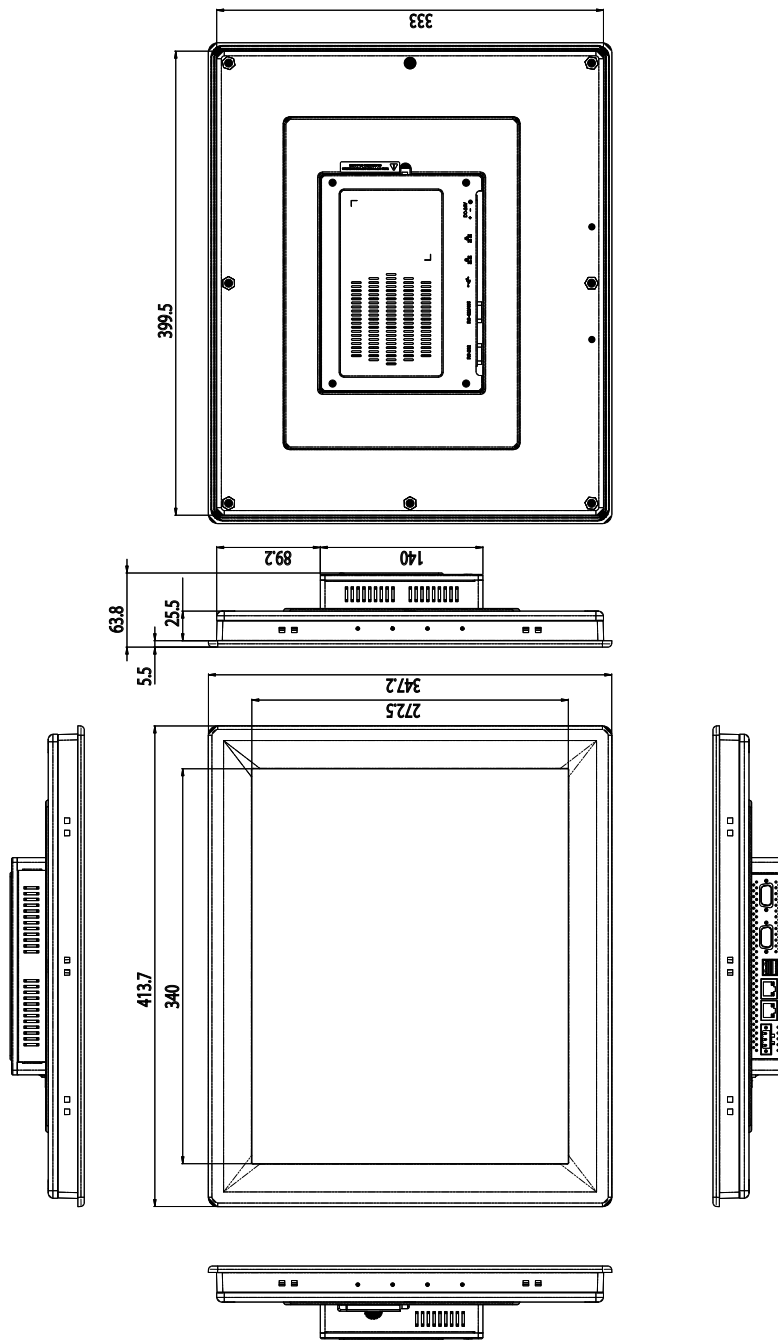


Figure 1.5 TPC-1750H Dimensions

Chapter 2

System Setup

2.1 System Setup

You can easily get TPC started by following the below steps.

1. Unpack the TPC package. Check the packing list at the beginning of this manual to make sure all items have been included.



Figure 2.1 Unpack the Package

2. Install a CompactFlash[®] card containing Windows CE, Embedded Windows XP or another operating system.



Figure 2.2 Install CompactFlash Memory Card

Warning! It is suggested to turn OFF system power as you plug in or pull out the memory card, even though the CompactFlash memory is hot swappable.



3. Connect the power connector to the 24 V_{DC} power lines. The power lines can either be of some power adapter or in-house power source.

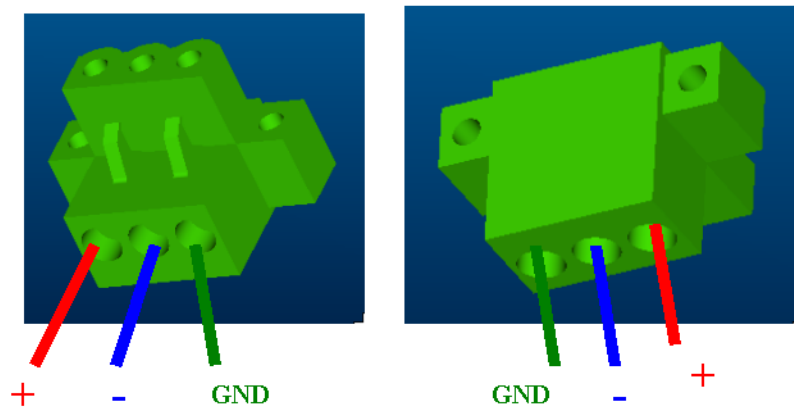


Figure 2.3 Power Connector and Power Lines



Figure 2.4 Power Receptor & Button Pin Assignment

4. Plug the power lines into the system power receptor.
5. Push the power button to power on the system (figure 2.4).
6. Calibrate the touchscreen (click "PM" in the bottom corner).

Note! *If you want to install the touchscreen driver & use the touchscreen utility, please refer the user manual which is "PenMount 6000 Installation-Guide" in the DVD.*



2.1.1 Installing the Drivers

After installing your system software, you will be able to set up the Ethernet, VGA, and touchscreen functions. All drivers are stored in a DVD disc entitled "TPC-1250H, TPC-1550H and TPC-1750H" which can be found in your accessory box.

The various drivers in the DVD disc have their own text files which help users install the drivers and understand their functions. These files are a very useful supplement to the information in this manual.

Note! *The drivers and utilities used for the TPC-1250H, TPC-1550H and TPC-1750H panel PCs are subject to change without notice. If in doubt, check Advantech's website or contact our application engineers for the latest information regarding drivers and utilities.*



Chapter 3

Features in Windows
XP Embedded

3.1 Features in Windows XP Embedded

TPC product supports the embedded Windows platform. This section outlines the important features (EWF and HORM), that are provided in Windows XP embedded.

3.2 EWF

EWF stands for Enhanced Write Filter. It provides an upper filter in the storage device driver stack that redirects disk write operations to volatile (RAM) or non-volatile (disk) storage. EWF protects a volume from write access. The benefits are as the following.

Write-protect one or more partitions on your system.

Enable read-only media, such as DVD or flash, to boot and run.

Prolong the lifespan of write-sensitive storage, such as CompactFlash.

TPC-1250H/1550H/1750H XPE provides EWF RAM-REG mode on system partition. All write to system partition will be redirected to RAM once this mode is enabled. This mode is manually enabled by customers after they finish all their changes on system such as installing their applications or adjusting system setting.

Advantech provides a pair of utilities to operate EWF, OSLock and OSUnlock. Please refer the training slide in the folder, file name is "Advantech XPe Add-one.pdf".

3.3 HORM

HORM stands for Hibernate Once Resume Many. In HORM environment, a single hibernation file is used to boot the system repeatedly. To set a HORM environment, please follow the steps below.

Please make sure EWF is disabled. You can run OSUnlock to disable EWF.

Enable hibernation support:

Run "power options" in control panel, and then select "Enable Hibernation" in hibernation pane.

Enable EWF:

Run OSLock, and then system reboot automatically.

Open those software that customers want to directly use after system resume from hibernation.

Hibernate via Advantech HORM utility:

Please Click Start Menu->All Programs->Advantech->AdvWF

HORM environment remains all along unless the following events occur:

Run EWF commit command (ewfmgr c: -commit) and then reboot system.

Select "Discard hibernation file" by clicking F8 when system is starting up.

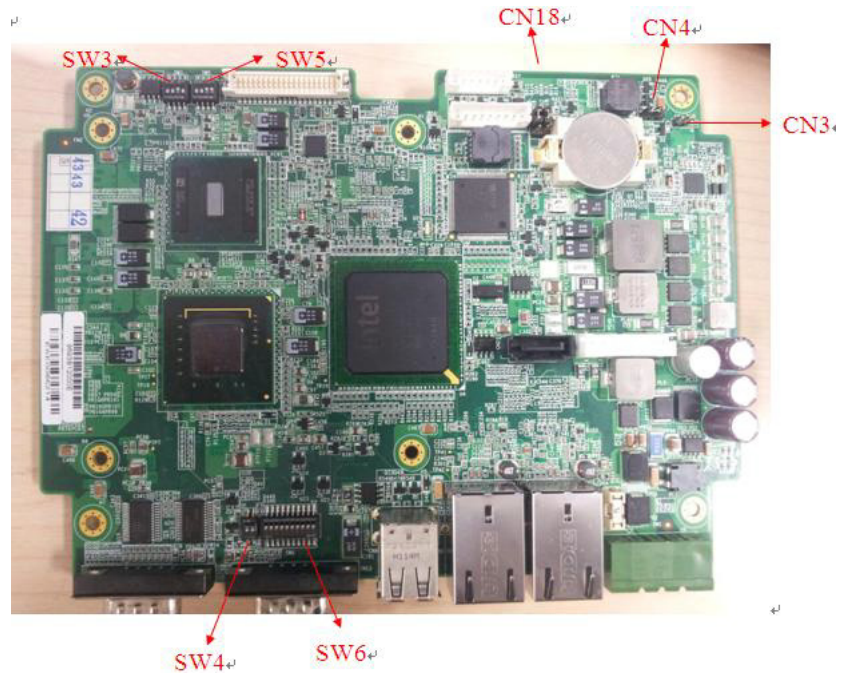
Appendix **A**

Jumper and Dip
Switch setting Pin
Assignment

A.1 Jumper and DIP Switch Settings \

A.1.1 Component Construction

A.1.1.1 EAMB-1120 Top side



A.1.1.2 EAMB-1120 Bottom side



A.1.2 Jumper Settings

A.1.2.1 CN18 LCD Power Select

CN18 is used to select LCD power

	Description
(1-3) & (2-4)	+5V is used to supply LCD panel
(3-5) & (4-6)	+3.3V is used to supply LCD panel*

*Default setting

A.1.2.2 CN4 CMOS Clear Select

CN4 is used to select CMOS enable/disable

	Description
(1-3) & (2-4)	Enable (Clear CMOS)
(3-5) & (4-6)	Disable*

*Default setting

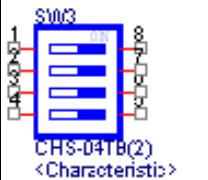
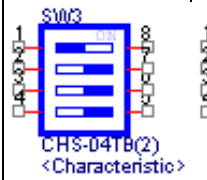


A.1.3 DIP Switches

A.1.3.1 SW3 LCD Controlled Function

SW3 is used to select LCD Controlled Function

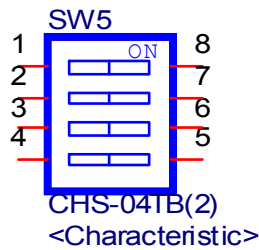
SW3	LCD Resolution Select	
Description	This switch is used to select LCD Resolution	
	1280*1024(18bit) PWM 2KHz (TPC-1750)	
	1024*768(18bit) PWM 2KHz (TPC-1550 B)	
Default	800*600 (18 bit) PWM 2KHz (TPC-1250 B)	
	640*480 (18bit) PWM 2kHz (TPC-650 B)	
GPI_LCDSEL0	OFF (Pin 1)	ON (Pin 8)
GPI_LCDSEL1	OFF (Pin 2)	ON (Pin 7)
GPI_LCDSEL2	OFF (Pin 3)	ON (Pin 6)
GPI_LCDSEL3	OFF (Pin 4)	ON (Pin 5)

Default Settings

Connect to GOI pin	640*480 (18bit) PWM 2kHz TPC-650	800*600 (18bit) PWM 2kHz TPC-1250	1020*768 (18bit) PWM 2kHz TPC-1550	1280*1024 (18bit) PWM 2kHz TPC-1750
GPI_LCDSEL0	ON	OFF	ON	OFF
GPI_LCDSEL1	ON	ON	OFF	OFF
GPI_LCDSEL2	ON	ON	ON	ON
GPI_LCDSEL3	ON	ON	ON	ON
State				

A.1.3.2 SW5 LCD Controlled Function

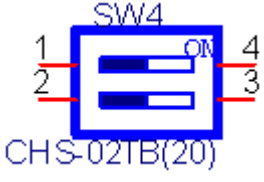
SW5	LCD Controlled Function		
Description	This switch is used to select LCD Controlled Function		
Default	By LCD Specification		
LVDS_V_CFG	Left and Right opposite	OFF (Pin 1)	ON (Pin 8)
LVDS_H_CFG	Up and Down opposite	OFF (Pin 2)	ON (Pin 7)
LVDS_SC_CFG	Scan direction control	OFF (Pin 3)	ON (Pin 6)
LVDS_MODE_CFG	Select 6 or 8 bits LVDS input	OFF (Pin 4)	ON (Pin 5)

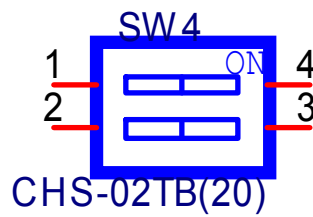


	TPC-1250		TPC-650	
	Default	State	Default	State
LVDS_V_CFG	OFF	<p>SW5 CHS-041B(2) <Characteristic></p>	OFF	<p>SW5 CHS-041B(2) <Characteristic></p>
LVDS_H_CFG	OFF		OFF	
LVDS_SC_CFG	ON		OFF	
LVDS_MODE_CFG	ON		OFF	

	TPC-1550		TPC-1750	
	Default	State	Default	State
LVDS_V_CFG	OFF	<p>SW5 CHS-041B(2) <Characteristic></p>	OFF	<p>SW5 CHS-041B(2) <Characteristic></p>
LVDS_H_CFG	OFF		OFF	
LVDS_SC_CFG	ON		ON	
LVDS_MODE_CFG	OFF		ON	

A.1.3.3 SW4 Termination Resistor Select

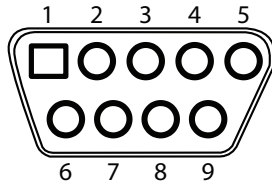
SW4	Termination Resistor Select	
Description	This switch is used to select Termination Resistor (120 ohm) for long distance transmission or device matching.	
Default	Bit1 off & Bit2 off (ISO_COM2_DATA+ & ISO_COM2_RX-)	
ISO_COM2_DATA+	Pin 1	 <p>CHS-02TB(20)</p>
ISO_COM2_RX-	Pin 2	
ISO_COM2_R_RX+	Pin 3	
ISO_COM2_R_DATA-	Pin 4	
		Default



A.1.3.4 SW6 RS232,RS422,RS485 Select

SW6	RS232,RS422,RS485 Select
Description	The serial port CN13 on the TPC-650 1250 1550 1750 is adjustable. It can be set to RS-232, RS-422 or RS-485. This port is designed with auto data flow control capability.
Default	off
RS232 Mode	
RS485 Mode	
RS422 Mode	

A.2 Pin Assignment



PIN	COM1		COM2	
	RS-232	RS-422	RS-485	
1	NDCD	TX-	D-	
2	NRX	TX+	D+	
3	NTX	RX+		
4	NDTR	RX-		
5	GND	GND	GND	
6	NDSR			
7	NRTS			
8	NCTS			
9	NRI			

ADVANTECH

eAutomation

www.advantech.com

Please verify specifications before quoting. This guide is intended for reference purposes only.

All product specifications are subject to change without notice.

No part of this publication may be reproduced in any form or by any means, electronic, photocopying, recording or otherwise, without prior written permission of the publisher.

All brand and product names are trademarks or registered trademarks of their respective companies.

© Advantech Co., Ltd. 2012