

Advantech AE Technical Share Document

Date	11/7 /2022	Release Ver.	V1.0
Category	<input checked="" type="checkbox"/> FAQ <input type="checkbox"/> SOP	Release Note	<input type="checkbox"/> Internal <input checked="" type="checkbox"/> External
Related OS	Raspberry Pi		
Abstract	Why is UNO-220's GPIO input default low instead of high?		
Keyword	UNO-220 / GPIO/		
Related Product	UNO-220		

■ **Description:**

Because of ECOM-182098, the GPIO input of UNO-220 defaults to a low state instead of a high state.

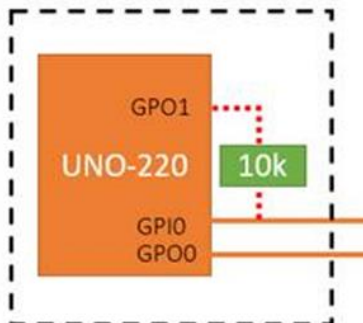
■ **Solution:**

You can choose one of the following methods to solve this problem.

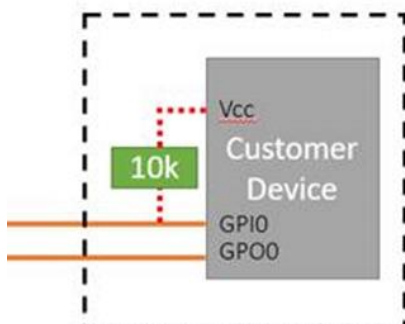
Solution1: Use an GPO from UNO-220 and use SW polling to pull up for GPI with a 10k resistor.

Solution2: Use an unused GPIO to add a pull-up resistor on your device.

Solution 1



Solution 2



We will remove 2nd source (ECOM-182098) in the long-term and implement the solution ECOM-196295 by new WO# by running change.

ECOM-196295 will keep the DI of UNO-220 as high state by default.