

Outline

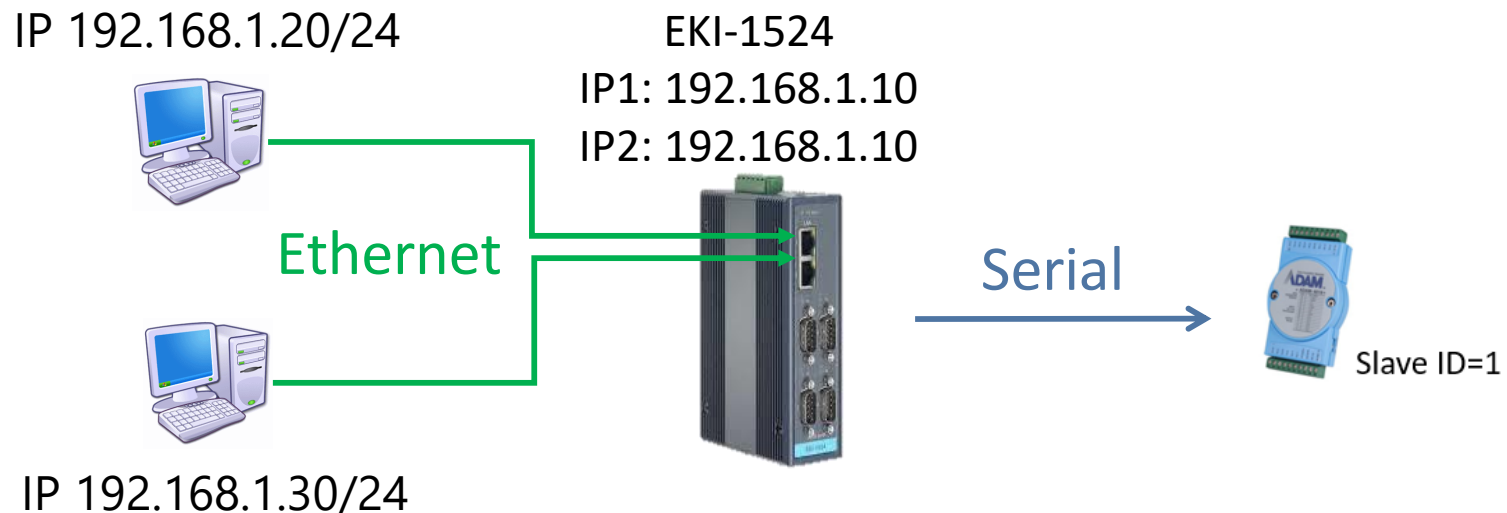
- Redundant Topology
- Setting SOP

Redundant Topology

Redundant Topology - Bridge

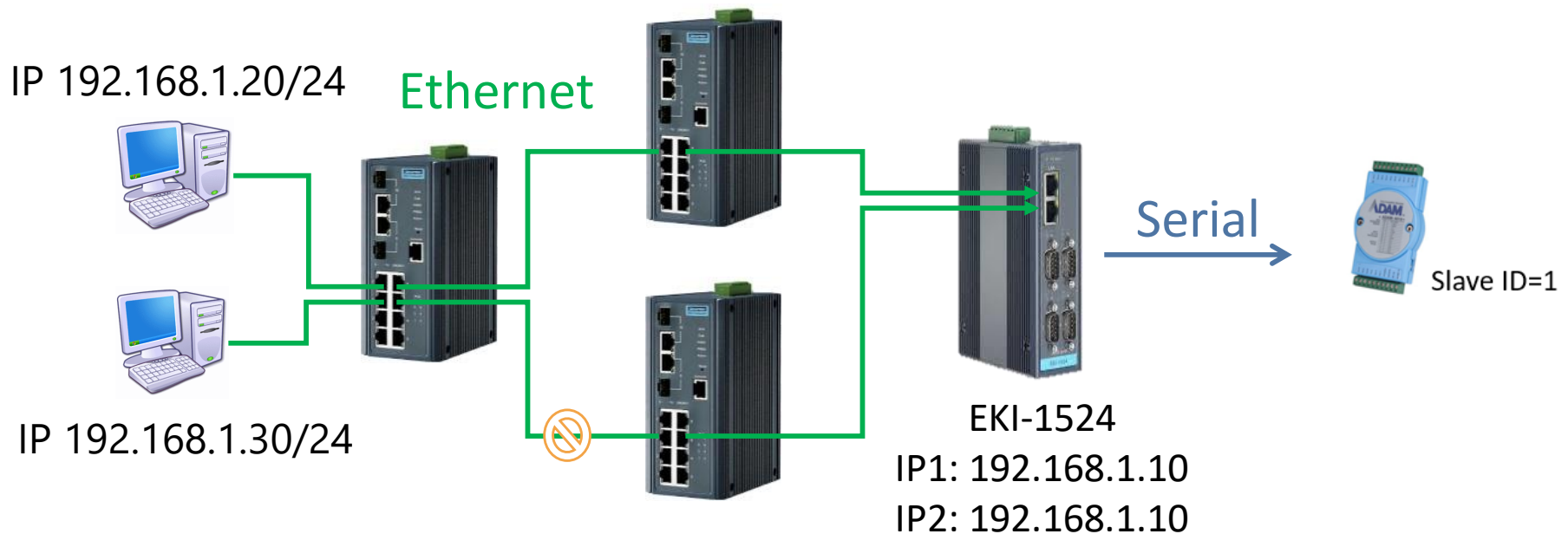
- Bridge

- Set the 2 Ethernet interfaces as Bridge mode, and set the Ethernet Bridge with static IP.
- This mode allows the 2 Ethernet Ports became a **2-port switch** using the same IP. This is performed by software forwarding.



- Bridge – STP Enable

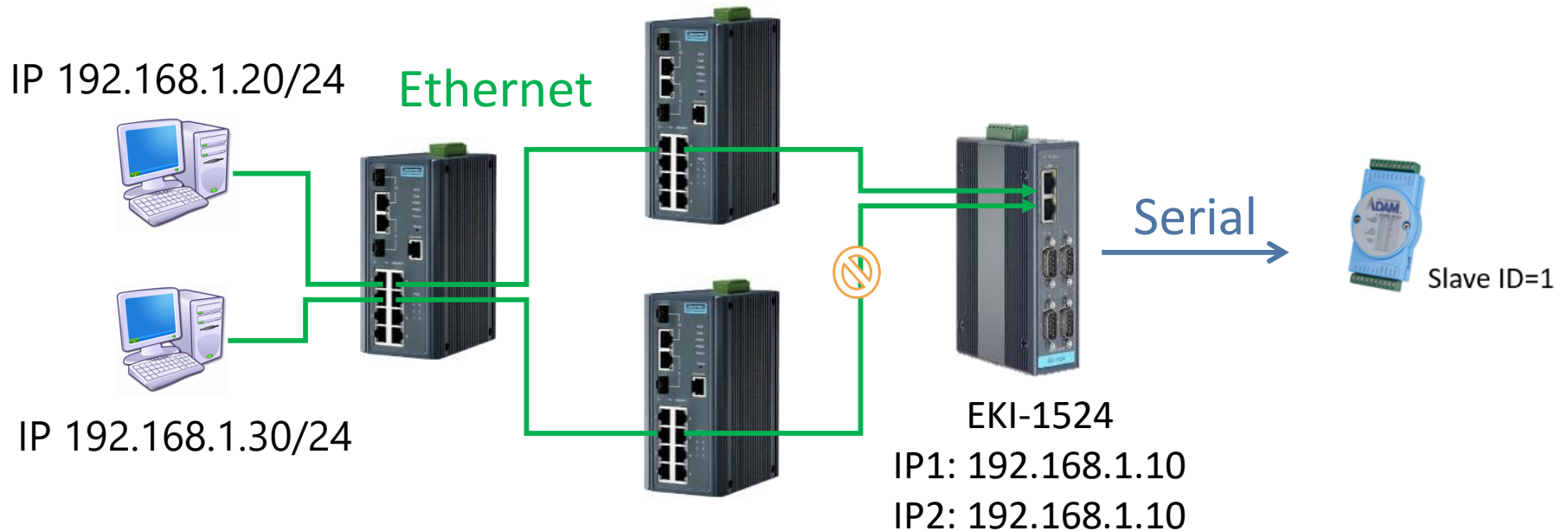
- Support STP that could work with other STP-Enabled devices.
- The block port will be determined by all the devices running STP.



*This function does not support RSTP. Enabling it in a RSTP environment will lower the level to STP.

- Bridge – Redundant Mode Enable

- Support Redundant Mode to link both Ethernet cables to the same or different switch, and block one of the active link by EKI itself.
- Default is to block Eth2.

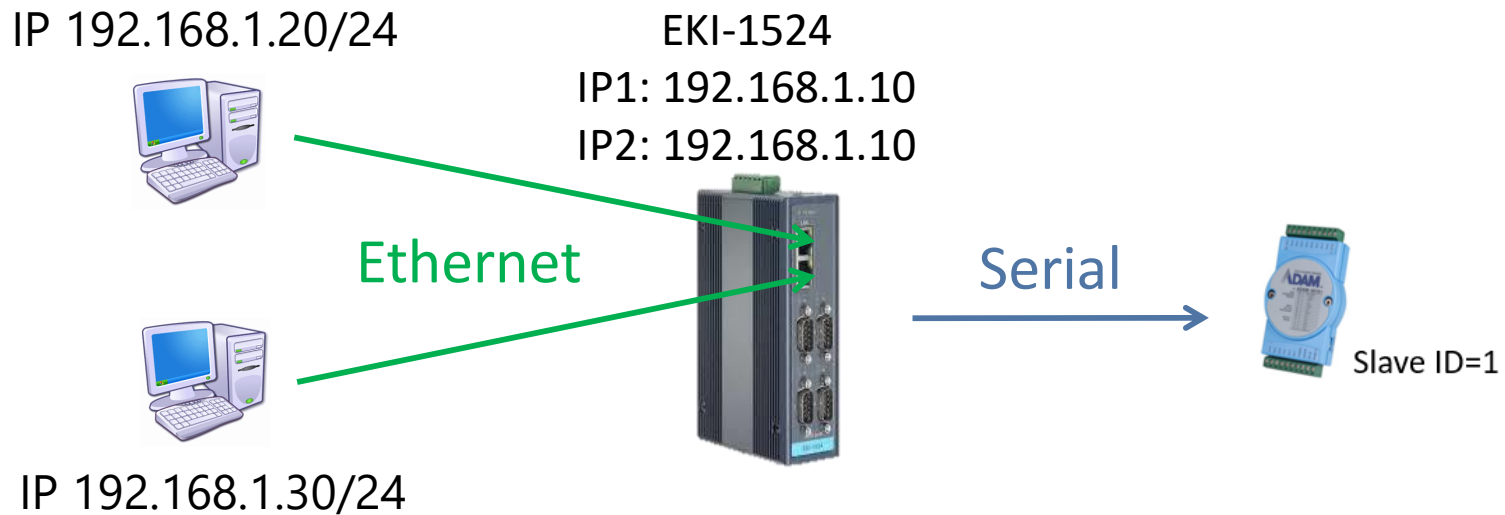


ADVANTECH

Configuration SOP

Redundant Topology - Bridge

- Bridge



Configuration – Bridge (1/2)

- IP Setting

Set Eth1 and Eth2 in Bridge mode.

- Ethernet Configuration
 - Eth 1
 - Eth 2
 - Ethernet Bridge
- Port Configuration
- Monitor
- Syslogd
- Tools

Eth1 Configuration

IPv4 Configuration

Mode	Bridge
MAC Address	74-FE-48-54-17-1C

Current Status

IP 1	fe80::76fe:48ff:fe54:171c
------	---------------------------

Save

- Ethernet Configuration
 - Eth 1
 - Eth 2
 - Ethernet Bridge
- Port Configuration
- Monitor
- Syslogd
- Tools

Eth2 Configuration

IPv4 Configuration

Mode	Bridge
MAC Address	74-FE-48-54-17-1D

Current Status

IP 1	Currently unavailable
------	-----------------------

Save

Configuration – Bridge (2/2)

- Ethernet Bridge Setting

Both Eth interface would use the same IP, and will perform as a 2-port switch.

Users can enable STP or Redundant mode by selecting the option.

STP mode runs Spanning Tree Protocol with other connected devices .

Redundant mode will block one Eth port on EKI-152X and it will judge to active the block port automatically.

The screenshot displays the configuration page for a network bridge (Br1). On the left is a navigation menu with options: Ethernet Configuration, Eth 1, Eth 2, Ethernet Bridge (selected), Port Configuration, Monitor, Syslogd, Tools, and Management. The main content area is titled 'Br1 Configuration' and is divided into two sections: 'IPv4 Configuration' and 'Spanning Tree Protocol Configuration'. In the IPv4 section, the Mode is set to 'Static IP'. The IP Address is 192.168.1.10, the Subnet Mask is 255.255.255.0, and the Default Gateway is 0.0.0.0. In the STP section, the STP option is set to 'Disable' (radio button selected) and the Redundant Mode option is also set to 'Disable' (radio button selected).

*Suggest enabling only one of them at a time.

