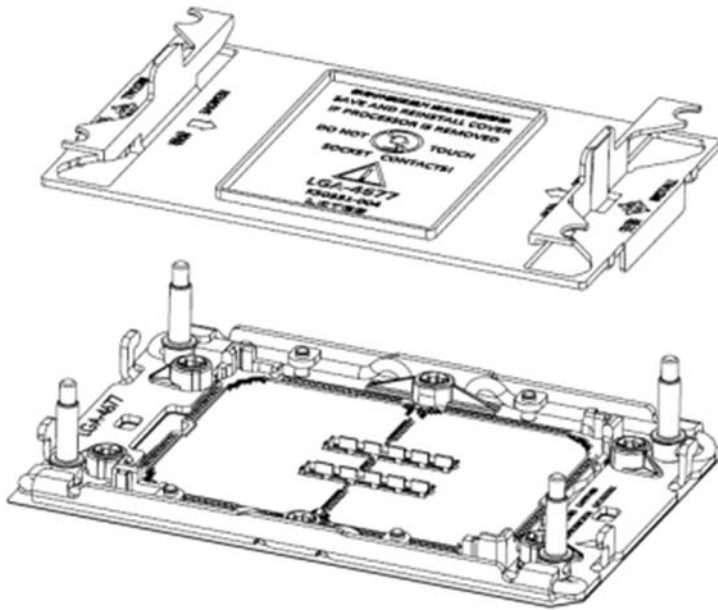


Advantech AE Technical Share Document

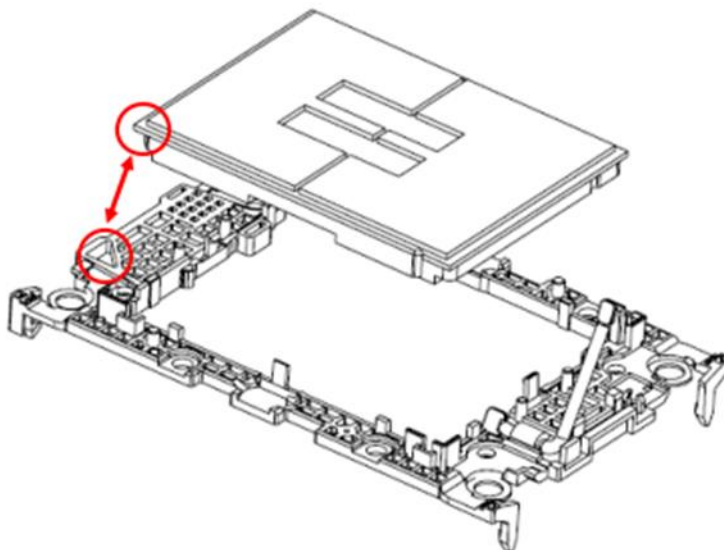
Date	2024/01/25	Release Note	<input type="checkbox"/> Internal <input checked="" type="checkbox"/> External
Category	<input type="checkbox"/> FAQ <input checked="" type="checkbox"/> SOP	Related OS	N/A
Abstract	How to install processor and DIMM population rules for ASMB-817		
Keyword	CPU, installation, DIMM		
Related Product	ASMB-817		

■ **How to install Processor:**

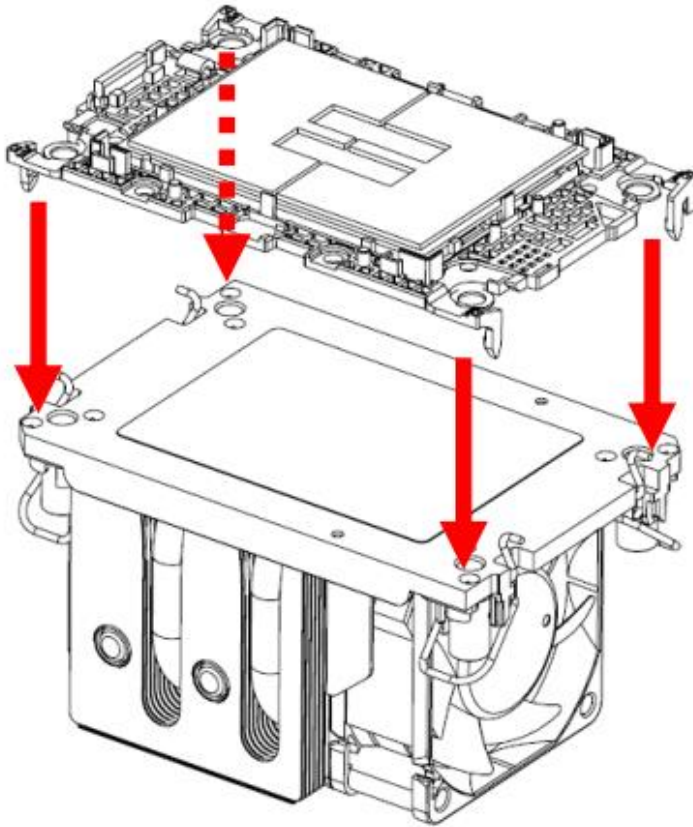
1. Remove dust cover



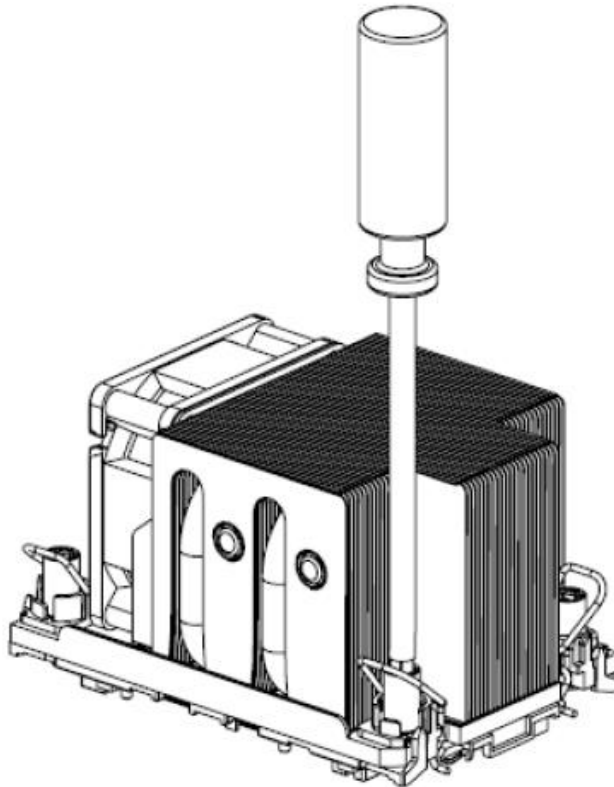
2. Install on CPU clip and align pin1 mark



3. Install the CPU clip assembly on the heat sink as a processor + heatsink module.



4. Put the processor heatsink module into the motherboard booster plate by using a T-30 screw driver (follow heatsink label direction 1-2-3-4)



■ **DIMM population rules:**

Table 1.6: DIMM Configuration with Single CPU

Channel	DIMMA1	DIMMB1	DIMMC1	DIMMD1	DIMME1	DIMMF1	DIMMG1	DIMMH1
Quantity of memory installed	1	v						
			v					
						v		
							v	
	2	v						v
				v		v		
		v		v		v		v
					v		v	
4	v		v		v		v	
				v		v		
	v		v	v	v	v	v	
6	v	v	v		v		v	
				v		v		
		v	v	v	v	v		
							v	
8	v	v		v		v	v	
	v	v	v	v	v	v	v	

Note! 3, 5, 7 DIMMs are not recommended DIMM population.