

Advantech AE Technical Share Document

Date	2016/06/27	SR#	1-2492012849
Category	■FAQ □SOP	Related OS	N/A
Abstract	KW MULTIPROG, How to convert Modbus value into TIME format		
Keyword	MULTIPROG, Modbus, Shared Memory, TIME		
Related Product	ADAM-5510KW, ADAM-5560KW, APAX-5520KW, APAX-5620KW		

■ **Problem Description:**

The customer want to use the reading value from Modbus shared memory to control the delay time of timer instead of using a time constant like the following picture. (Figure 1)

Can we use a Holding register Modbus value, for example, 0~65535 to control timer directly?

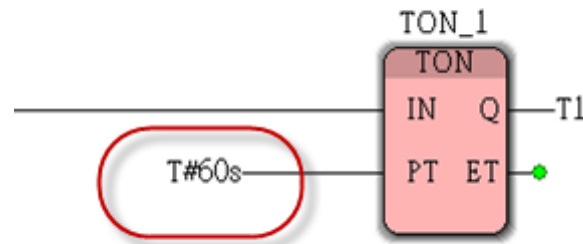


Figure 1

■ **Answer:**

In MULTIPROG, the reading value from Modbus holding register or input register usually is in the “WORD” or “INT” data format, which can’t be used as the input for on-delay or off-delay timer (TON or TOF function block)

Since only acceptable data format for on-timer and off-timer is “TIME” format, the customer need to convert the Modbus input reading into “TIME” first so that it could be used to control TON or TOF function block.

Take the following picture (Figure 2) as an example, the variable “V001” is a DINT, user must convert it into TIME format (V000) in order to control the on-timer.

Please note that the unit for DINT value is “ms”, so 30000 in DINT format will be converted into 30 seconds in the TIME format.

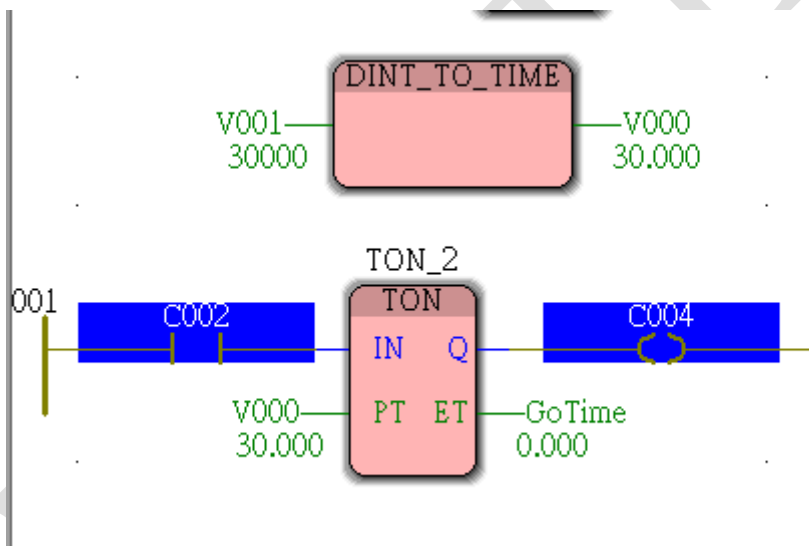


Figure 2