

96KBM-8C-XX

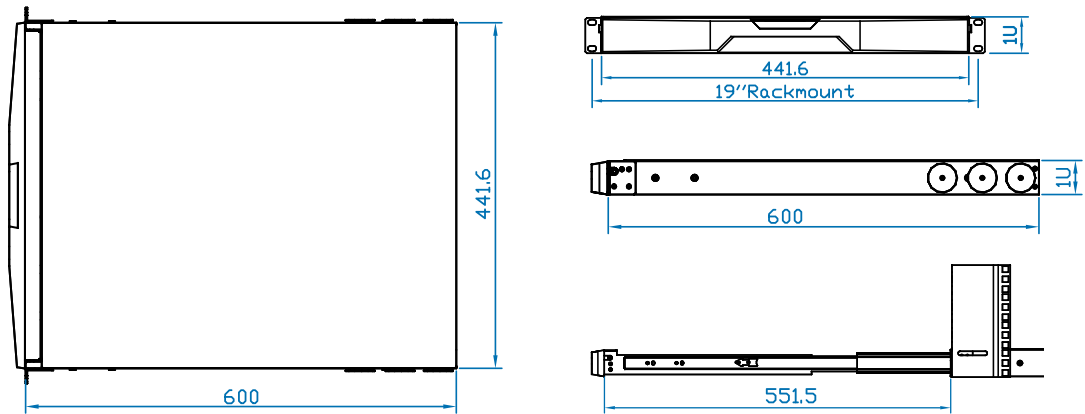


Drawer Features & Benefits

- ▶ Cost effective Combo DB-15 8-port KVM integration
- ▶ Mix PS/2, USB & SUN with Multi-Platform switch capability
- ▶ 104-key keyboard with touchpad
- ▶ Enhanced aesthetics with molded front handle and two point lock
- ▶ Combo interface either PS/2 or USB for keyboard drawer



Diagrams (mm)



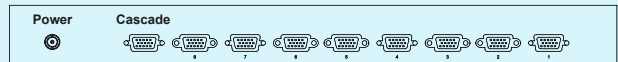
Specifications

- **Keyboard layout :** USA English
- **Weight**
 - Net : 11.4 kgs / 25.1 lbs
 - Gross : 14.1 kgs / 31 lbs
- **Casing Color :** Black (RAL 9005)
- **Dimensions**
 - Product : 442 x 600 x 44 mm / 17.4 x 23.6 x 1.73 inch
 - Packing : 580 x 845 x 115 mm / 22.8 x 33.3 x 4.5 inch
- **Environmental**
 - Operating temperature : 0 to 55°C degree
 - Storage temperature : -20 to 60°C degree
 - Operating humidity : 20~90%, non-condensing
 - Storage humidity : 5 ~90%, non-condensing
 - Operating altitude : 16,000 ft
 - Non-operating altitude : 40,000 ft
 - Shock : 10G acceleration (11ms duration)
 - Vibration : 5~500Hz 1G RMS random vibration

Regulatory

- Safety : FCC & CE certified
- Environmental : RoHS2 & REACH compliant

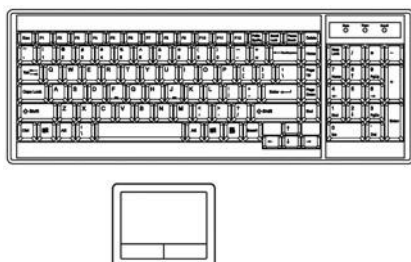
Combo DB-15 KVM



- KVM port : 8 x combo DB-15 connector
- Server Support**
 - Video : Resolution up to 1920 x 1080 / 1920 x 1200
- KVM Switching :** via Front button, OSD menu & hotkeys
- Connectivity :** Combo 4-in-1 KVM cable
- Combo KVM Cable :** CE-6, 6 feet combo KVM cable (bundle 8 pcs)
CE-10, 10 feet combo KVM cable (optional)
CE-15, 15 feet combo KVM cable (optional)
(Server end : VGA + USB or PS/2)
(KVM port : VGA)

Standard Keyboard

Ge G keyboard integrated with touchpad



Supporting layouts

- America**
 - U.S.
- EMEA**
 - U.K.
 - Germany
 - France
 - Russia
 - Spain
 - Italy
- Asia**
 - Japan
 - Korea

Ordering Part Number

Model	Plug Type
96KBM-8C-EU	European Plug
96KBM-8C-IN	Indian Plug
96KBM-8C-US	US Plug
96KBM-8C-UK	UK Plug