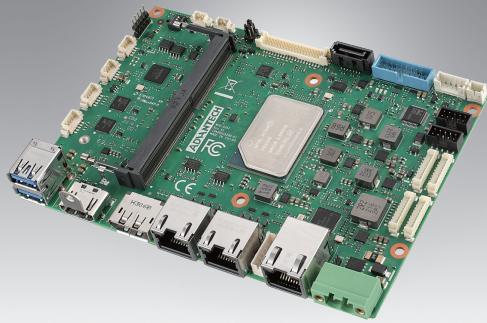


AFE-E350

Intel® Atom® x6000E series and Celeron® J series 3.5" SBC

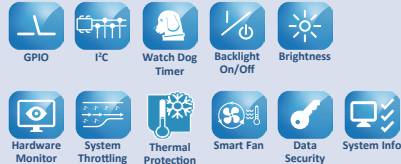
NEW



Features

- Atom® x6000E series and Intel® Celeron® J and N series with Quad/Dual Cores, TDP 6-12W
- 3 simultaneous displays: LVDS/HDMI/DP
- 3 GbE support support PoE
- 4x RS232/422/485, 6x USB, 2x CANBus/CAN-FD, 1x I2C/SMBus
- 3 Expansions: M.2 E-Key, B-Key, M-Key (support NVMe)
- Supports EdgeBMC & Software APIs, WISE-DeviceOn

Software APIs:

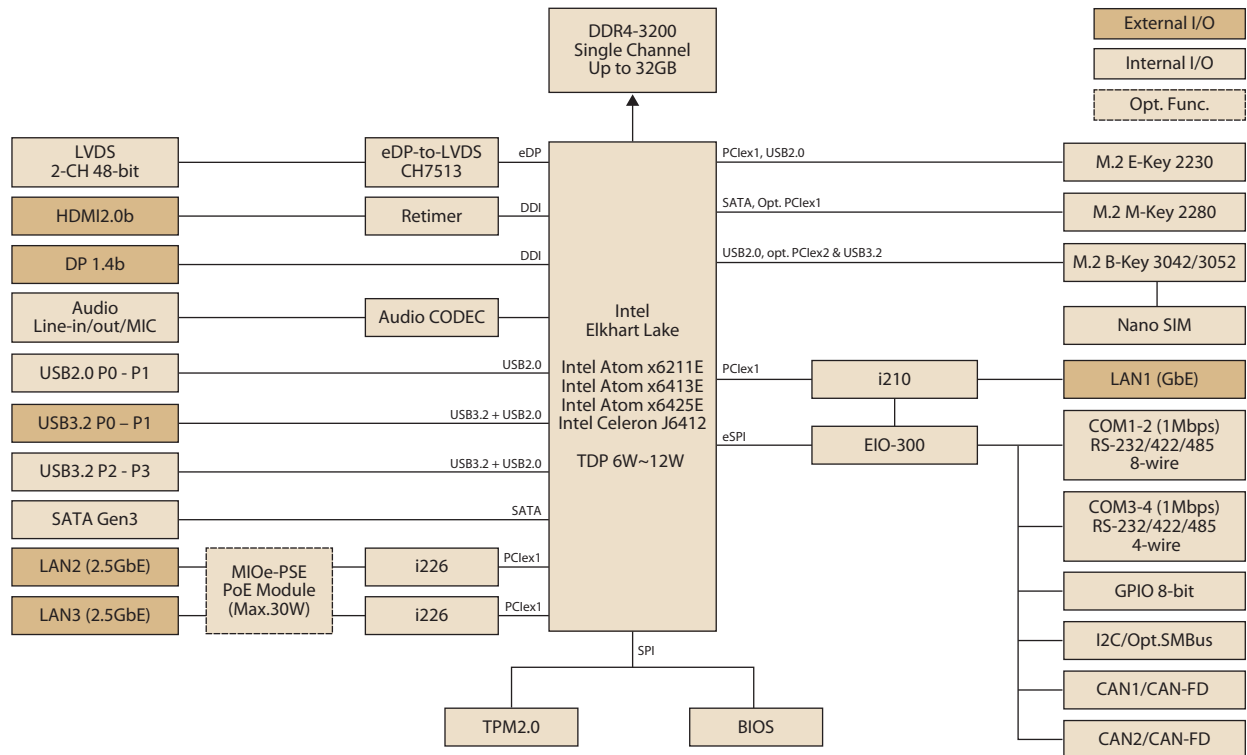


Specifications

	Processor	Intel® Atom® x6211E	Intel® Atom® x6413E	Intel® Atom® x6425E	Intel® Celeron® J6412
Platform	Max. Frequency	3.0GHz	3.0GHz	3.0GHz	2.6GHz
	Base Frequency	1.3GHz	1.5GHz	2.0GHz	2.0GHz
	Core/Tread	2/2	4/4	4/4	4/4
	LLC	L2	L2	L2	L2
	CPU TDP	6W	9W	12W	10W
	Chipset	Intel® Chipset (SoC Integrated)			
	BIOS	AMI UEFI 256Mbit			
Memory	Technology	DDR4-3200 SDRAM			
	Max. Capacity	Up to 32GB			
	Channel/Socket	Single Channel / 1 Socket			
	ECC Support	In-Band ECC Supported by SoC	In-Band ECC Supported by SoC	In-Band ECC Supported by SoC	N/A
Graphics	Technology	Intel Gen11 Graphics Engines (SoC integrated)			
	Max. Frequency	750MHz	750MHz	750MHz	800MHz
	Base Frequency	350MHz	500MHz	500MHz	400MHz
	3D/HW Acceleration	DX12, OGL4.5, OCL1.2, Vulkan 1.1; HW encode HEVC/H.265, MPEG2, JPEG/MJPEG			
Display I/F	LCD	LVDS Dual Channel 18/24-bit LVDS			
	HDMI	1 x HDMI2.0 up to 4096 x 2160 x 24bpp @60Hz			
	DP	1 x DP1.4a, up to 4096 x 2160 x 36bpp @60Hz			
	Multiple Display	3 simultaneous displays: LVDS/HDMI/DP			
Ethernet	Controller	LAN1: Intel i210; LAN2&3: Intel i226			
	Speed	LAN1: 1Gbps; LAN2&3: 2.5Gbps			
External I/O	Ethernet	3 x RJ-45 LAN1: Support EdgeBMC Out-of-Band remote control LAN2&LAN3: Support optional PoE PSE compliant to 802.3af (PSE module: MIOe-PSE)*			
	HDMI/DP	1/1			
	USB3.2	2			
	Power DC-Jack	2-pin phoenix connector, optional 4-pin ATX connector*			
Internal I/O	SATA	1 x SATA GenIII 6.0Gbps			
	USB	2 x USB3.2 ; 2 x USB2.0			
	Serial Bus	I2C default, optional SMBus			
	COM Port	2 x RS-232/422/485(8-wire), 2x RS-232 (4-wire), RS-422/485*			
	GPIO	8-bit general purpose input output I/O			
	Audio	Realtek ALC888S, Line-in/Line-out/MIC			
	Inverter	12V/5V			
	CAN Bus	2 x CANBus 1M, CAN-FD 2M/4M/8M			
	Fan	4-wire smart fan			
	Front Panel Control	Power-on, Reset, Buzzer, CaseOpen			
	Board Feature	Watchdog Timer	65536 level, 0-65535 sec		
	TPM	TPM2.0			
Expansion	iManager 3.0	SW API for Hardware Monitor, Smart Fan Control, Brightness Control, I2C, GPIO, WDT			
	M.2 E-Key	1 x E-Key 2230 (PCIe x1, USB2.0)			
	M.2 B-Key	1 x B-Key 3042/3052 (default USB2.0, optional PCIe2*) w/ Nano-SIM			
	M.2 M-Key	1 x M-Key 2280 (default SATA III, optional PCIe1*)			
Power	Supply Voltage	Vin: DC 12-24V ± 10%; RTC Battery: Lithium 3V/210mAh			
	Connector	ATX 2x2 pin 90D, optional DC-Jack or ATX 2x2 pin 180D*			
	Power Management	AT, ATX			
	Max. Consumption	20.81W (12V), 24.07W (24V)	27.72W (12V), 28.98W (24V)	31.55W (12V), 33.02W (24V)	28.41W (12V), 29.48W (24V)
Idle Consumption	10.20W (12V), 11.76W (24V)	10.44W (12V), 11.76W (24V)	16.55W (12V), 19.14W (24V)	10.56W (12V), 12.00W (24V)	
Environment	Temperature	Extended: -40 ~ 85 °C (-40 ~ 185 °F)			
	Humidity	Operating: 40 °C @ 95% relative humidity, non-condensing Storage: 60 °C @ 95%relative humidity, non-condensing			
	Vibration Resistance	3.5 Grms			
Certification	EMC	CE, FCC Class B			
Mechanical	Dimensions	146 x 102 mm (5.7" x 4")			

*Note: Optional function support by request

Block Diagram



*Optional PoE LAN requires external MIOe-PSE module, which provides dual 15.4W port or single port 30W

Ordering Information

Part No.	CPU	Max. Frequency	Core	TDP	GbE	USB 3.2	USB 2.0	RS232/422/485	Thermal Solution	Operating Temperature
AFE-E350J-U0A1	J6412	2.6GHz	4	10W	3	4	2	4	STD Passive	0-60° C
AFE-E350AW-S3A1	X6211E	3.0GHz	2	6W	3	4	2	4	WT Passive	-40-85° C
AFE-E350AW-S5A1	X6413E	3.0GHz	4	9W	3	4	2	4	WT Passive	-40-85° C
AFE-E350AW-U0A1	X6425E	3.0GHz	4	12W	3	4	2	4	WT Passive	-40-85° C

Packing List

Part No.	Description	Quantity
1700006291	SATA 7P/SATA 7P 30cm C=R 180/90	1
1970005873T001	AFE-E350 STD Passive Heatsink 0-60°C	1
1970005855T001	AFE-E350 WT Passive Heatsink -40-85°C	1
1700031583-01	M CABLE SATA 15P/1*2P-2.0 35cm	1
1700030406-01	M Cable 2*5P-2.0/USB-A 4P(F)*2 20cm MIO	1
1700030404-01	F Cable D-SUB 9P(M)/1*10P-1.25 20cm MIO	2
1700031582-01	F Cable D-SUB 9P(M)/1*5P-1.25 20cm	2

Optional Accessories

Part No.	Description
TBD	Heat spreader
1700035016-01	4 wires COM RS-422/485 cables
1700032181-01	Cable 20P-2.0/USB-A 9P(F)x2 35CM
1700019584-01	A Cable 2*5P-2.0/Audio JACK*3 20cm
MIOE-PSE-DPA1	MIOE-PSE Dual PSE Ports Power Module (15.4W x 2)
MIOE-PSE-SPA1	MIOE-PSE PoE Module A1 Single 30W

Rear IO View

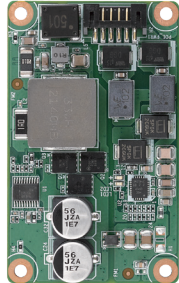


Embedded OS/API

OS	Part No.	Description
WIN10	20706WX1ES0107	64-bit (UEFI mode only)
Ubuntu	TBD	Ubuntu Desktop 22.04 LTS 64-bit Image & License Sticker for MIO-5352
Software API	Download by website	SUSI v4.0

Compatible Expansion Boards

MIOe-PSE



Specifications

Output DC Voltage	50V
Input DC Voltage	12-24V
Power Sourced at PSE module	15.4W / 30W per port
Power at PD (End-point)	12.95W / 25.5W per port
PoE Standard	IEEE 802.3 at
Operating temperature	-40 ~ 85 °C (-40 ~ 185 °F)
Humidity	Operating: 40 °C @ 95% relative humidity, non-condensing Storage: 60 °C @ 95%relative humidity, non-condensing
Vibration Resistance	3.5 Grms
EMC	CE, FCC Class B
Dimensions	72.1 x 44.0 x 1.6 mm

Ordering Information

P/N	Description
MIOE-PSE-DPA1	MIOe-PSE PoE Module A1 Dual 15.4W
MIOE-PSE-SPA1	MIOe-PSE PoE Module A1 Single 30W