

# AIIS-3410P (Isolated PoE) AIIS-3410U (USB 3.0)

Compact Vision System, Intel® 6th/7th Gen Core i CPU, 4-CH Camera Interface for GigE Isolated PoE or USB 3.0, PCIe expansion slot



AIIS-3410U

AIIS-3410P



## Features

- Intel 6th/7th generation Core i CPU (LGA1151)
- AIIS-3410P: 4-CH GbE Isolated PoE (Isolated Power over Ethernet)
  - Powered device auto detection and classification
  - IEEE 802.3af compliant, supports IEEE 1588
  - Compatible with GigE cameras
- AIIS-3410U: 4-CH USB 3.0 with dedicated controller
  - Maximize the USB3.0 bandwidth for multi-cameras
  - Compatible with USB 3.0 cameras
- Compact & thoughtful design
  - PCIe or PCI extension compatibility
  - Isolated Digital I/O
  - Internal USB 2.0 connector

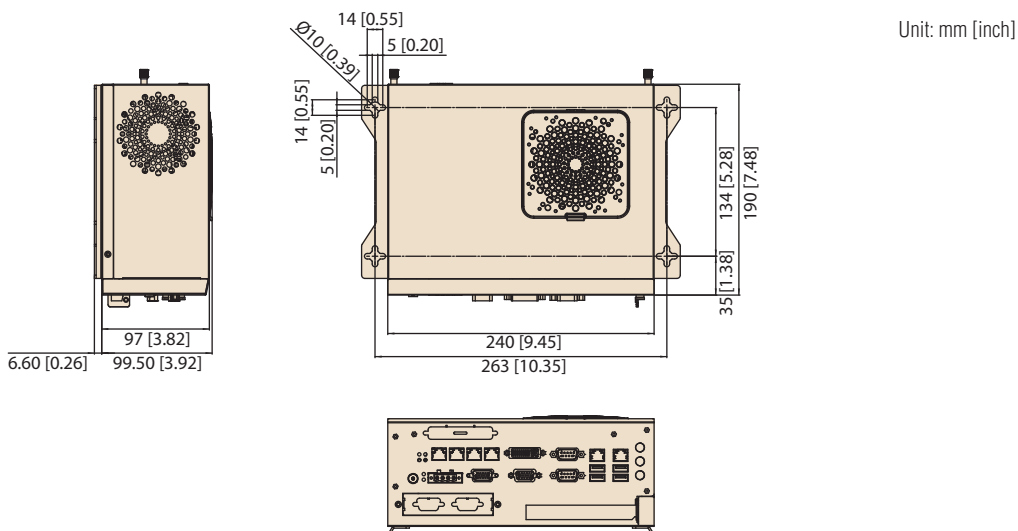
## Specifications

|                                       |                         | 6th generation CPU  |         |         |         |         | 7th generation Core i CPU                   |         |          |  |
|---------------------------------------|-------------------------|---|---------|---------|---------|---------|---|---------|----------|--|
| Processor System                      | CPU                     | i7-6700   | i5-6500 | i3-6100 | G4400   | G3900   | i7-7700                                     | i5-7500 | i3-7101E |  |
|                                       | Core                    | 4   | 4       | 2       | 2       | 2       | 4   | 4       | 2        |  |
|                                       | Base Frequency          | 3.4 GHz   | 3.2 GHz | 3.7 GHz | 3.3 GHz | 2.8 GHz | 3.6GHz                                      | 3.5GHz  | 3.9GHz   |  |
|                                       | L3 Cache                | 8 MB  | 6 MB    | 4 MB    | 3 MB    | 2 MB    | 8MB   | 6MB     | 3MB      |  |
|                                       | Chipset                 | H110  |         |         |         |         |   |         |          |  |
|                                       | BIOS                    | AMI 128Mb SPI Flash   |         |         |         |         |   |         |          |  |
| Memory                                | Technology              | Dual Channel DDR4 1866/2133 MHz (non-ECC)   |         |         |         |         |   |         |          |  |
|                                       | Max. Capacity           | 32 GB (16 GB per DIMM)  |         |         |         |         |   |         |          |  |
|                                       | Socket                  | 260-pin SO-DIMM   |         |         |         |         |   |         |          |  |
| Graphics                              | Chipset Integrated      | Integrated Intel HD Graphics  |         |         |         |         |   |         |          |  |
| Ethernet                              | Interface               | 10/100/1000 Mbps  |         |         |         |         |   |         |          |  |
|                                       | Controller              | LAN1: Intel i219LM, LAN2: Intel i210AT (Both support Wake on LAN)   |         |         |         |         |   |         |          |  |
| Camera Interface PoE (AIIS-3410P)     | Controller              | CH1 - CH4: Intel i210   |         |         |         |         |   |         |          |  |
|                                       | Compliant               | IEEE 802.3af  |         |         |         |         |   |         |          |  |
|                                       | Power Output            | 15W per channel / 30W for 1 & 2 channel (Support Isolated PoE)  |         |         |         |         |   |         |          |  |
| Camera Interface USB 3.0 (AIIS-3410U) | Controller              | CH1 - CH4: $\mu$ PD720202   |         |         |         |         |   |         |          |  |
|                                       | Compliant               | USB 3.0   |         |         |         |         |   |         |          |  |
|                                       | Power Output            | 4.5W per Channel  |         |         |         |         |   |         |          |  |
| Storage                               | Internal 2.5" HDD Bay   | 1 (max. 9.5 mm height)  |         |         |         |         |   |         |          |  |
|                                       | CFast                   | 1   |         |         |         |         |   |         |          |  |
| Expansions                            | PCIe                    | 1 (PCIe x16 slot with x8 signal), full height: 111.15 mm, length: max. 172 mm   |         |         |         |         |   |         |          |  |
|                                       | miniPCIe                | 1 (USB2.0/SATA)   |         |         |         |         |   |         |          |  |
|                                       | i-door                  | 1   |         |         |         |         |   |         |          |  |
| Front I/O                             | Display                 | VGA + DVI-D   |         |         |         |         |   |         |          |  |
|                                       | USB                     | 4 USB3.0  |         |         |         |         |   |         |          |  |
|                                       | Serial                  | 2 (RS-232/422/485, via BIOS setting ; RS-485 support auto-flow control)   |         |         |         |         |   |         |          |  |
|                                       | Isolated DIO (Default)  | 4 DI and 4 DO Channels  |         |         |         |         |   |         |          |  |
|                                       | Isolated DIO (Optional) | AIIS-E730-AE (16-CH DI, 16-CH DO)<br>High output driving capacity (500 mA max./channel)<br>Interrupt capable for all 16 DI channel<br>Supports 3-30 V <sub>DC</sub> isolated input channel<br>Dry/Wet contact support<br>High-voltage isolation on output channels (2,500 V <sub>DC</sub> ) |         |         |         |         |   |         |          |  |
|                                       |                         |   |         |         |         |         |   |         |          |  |
| Internal Connector                    | USB                     | 1 USB 2.0 connector   |         |         |         |         |   |         |          |  |
| Watchdog Timer                        | Output                  | System reset  |         |         |         |         |   |         |          |  |
|                                       | Interval                | Programmable 1 - 255 sec/min  |         |         |         |         |   |         |          |  |
| Power Requirement                     | Power Type              | ATX/AT  |         |         |         |         |   |         |          |  |
|                                       | Power Input Voltage     | 19 V <sub>DC</sub> ~ 24 V <sub>DC</sub> ( $\pm$ 10%)  |         |         |         |         |   |         |          |  |
|                                       | Minimum Power Input     | DC 19-24V @ 8-6.3A  |         |         |         |         |   |         |          |  |
|                                       | Power Adapter           | AC to DC, DC24V/9.16A, 220W (Optional)  |         |         |         |         |   |         |          |  |
| Cooling                               | System Fan              | 1 (8 cm/57 CFM)   |         |         |         |         |   |         |          |  |
| Miscellaneous                         | LED Indicators          | Power, HDD, temperature   |         |         |         |         |   |         |          |  |
|                                       | Control                 | Power on/off switch   |         |         |         |         |   |         |          |  |
| Environment                           | Temperature             | Operating<br>0 ~ 45 °C (32 ~ 113 °F)*   |         |         |         |         | Non-operating<br>-40 ~ 70 °C (-40 ~ 158 °F) |         |          |  |
|                                       | Humidity                | 10 ~ 95% @ 40 °C, non-condensing  |         |         |         |         | 10 ~ 95% @ 60 °C, non-condensing            |         |          |  |
|                                       | Vibration               | 0.5Grms, random, 5-500Hz, 3 axes, 1 hr/axis   |         |         |         |         | 2G, sine wave, 5-500Hz, 3 axes, 1 hr/axis   |         |          |  |
|                                       | Shock                   | 10G, half sine wave, 11 ms duration   |         |         |         |         |   |         |          |  |
| Physical Characteristics              | Dimension (W x H x D)   | 240 x 97 x 190 mm (9.45" x 3.82" x 7.48")   |         |         |         |         |   |         |          |  |
|                                       | Weight                  | 2.4 kg (5.29 lb) (w/o CPU cooler)   |         |         |         |         |   |         |          |  |

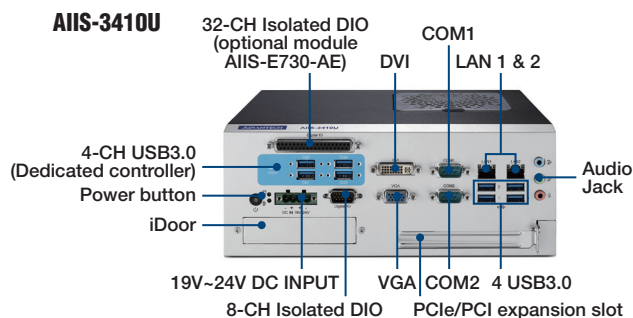
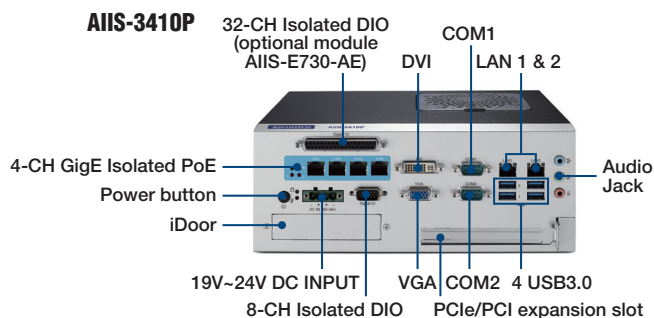
\* Depends on CPU

# AIIS-3410P (Isolated PoE) AIIS-3410U (USB 3.0)

## Dimensions



## Front View



## Ordering Information

| Part Number     | Camera Interface       | Display   | USB 3.0 | Isolated DIO | COM 232/422/485 | Expansion slot      |
|-----------------|------------------------|-----------|---------|--------------|-----------------|---------------------|
| AIIS-3410P-00B2 | 4-CH GigE Isolated PoE | VGA+DVI-D | 4       | 8-CH         | 2               | 1 PCIe x8 or 1 PCI* |
| AIIS-3410U-00B1 | 4-CH USB 3.0           | VGA+DVI-D | 4       | 8-CH         | 2               | 1 PCIe x8 or 1 PCI* |

\* Optional PCI riser card

## Packing List

| Items                            | Part Number    | Quantity |
|----------------------------------|----------------|----------|
| Bare System                      | AIIS-3410      | 1        |
| Startup manual (EN/CN)           | 2001341000     | 1        |
| Driver CD                        | 2061340011     | 1        |
| Wallmount Bracket                | 1960014487T00D | 2        |
| Hole Protector                   | 1990022908S000 | 4        |
| CPU Cooler                       | 1960060620N001 | 1        |
| 4-pin Phoenix DC power connector | 1652003234     | 1        |
| 2-pin Phoenix DC power connector | 1652002205     | 1        |

## Optional Accessories

| Part Number       | Description                                      |
|-------------------|--|
| 9891341010E       | PCI Riser card                                   |
| 96PSA-A230W24P4-3 | ADP A/D 100-240V 230W 24V TB 4P                  |
| 1702002600        | Power Cord UL 3P 10A 125V 183cm                  |
| 1702002605        | Power Cord EU 3P 10A 250V 183cm                  |
| 1700022940-01     | Power Cord PSE 3P 7A 125V 300cm                  |
| AIIS-DIO32-00A1E  | 32-bit, DIO module, 9-pin USB interface          |
| AIIS-E730-AE      | 32-ch Isolated Digital I/O, PCIe interface       |
| ADAM-3937-BE      | DB-37 Wiring Terminal, DIN-rail Mount            |
| PCL-10137-1E      | DB-37 Shielded Cable, 1m                         |
| PCIE-1674E-BE     | 4-port PCI express GbE card, PoE hardware on/off |
| 1700024858-01     | A CABLE 2*2P-4.2/2*2P-4.2 15cm (for PCIE-1674)   |

Note:

- AIIS-3410 supports the i-door module (both MOS and PCM series). Visit the Advantech website for more information.
- The PCM series module requires a bracket (P/N: 1960065854N001) that must be ordered separately.

## Embedded OS

| Part Number | Description                                  |
|-------------|--|
| 2070014568  | img WES7P AIIS-3400/3410 x64 V5.8.0 10MU1    |
| 2070014715  | img W10 16HL AIIS-3400/3410 x64 V.1609 10MU1 |
| 2070014716  | img W10 16VL AIIS-3400/3410 x64 V.1609 10MU1 |

\*7th generation CPU only supports Win10 OS