

# AIM-58

## 10.1" Medical-Grade Tablet with Intel® Atom™ Processor and PCAP Touchscreen



DeviceOn/iService



### Features

- Equipped with DeviceOn/iService software for remote device management
- Intel® Atom™ processor with support for both Windows and Android OS
- 10.1" full HD projected capacitive touchscreen with scratch-resistant Corning® Gorilla® Glass
- Supports active stylus pen, gloved operation, and palm detection for increased usability
- IP65-rated protection from water and dust ingress
- 4-ft drop tolerance
- Hot-swappable battery with capacity indicators for uninterrupted operation
- AIM extension 14-pin pogo connector supports 1D/2D barcode scanner (20°/70°) and LAN COM extension modules
- AIM dock 16-pin pogo connector supports optional peripherals (VESA dock and stand, multi-tablet charging station, and multi-battery charging station)

### Introduction

AIM-58 is a 10.1" medical-grade tablet that features a full HD screen with projected capacitive touch control, IP65-rated ingress protection, and Windows/Android operating system. Aimed at healthcare applications, AIM-58 can be equipped with optional extension modules and peripherals that enable seamless communication and unlimited mobility for diverse usage scenarios. The built-in high-resolution cameras and wireless communication technologies allow AIM-58 to be used to retrieve patient records and to facilitate telehealth applications. Moreover, the tablet can be integrated with a range of optional docking cradles and stands for flexible operation in various healthcare environments.

Moreover, AIM-58 is equipped with Advantech's DeviceOn/iService software, which is a next-generation unified device management solution based on the WISE-DeviceOn platform. With support for batch operations and multi-device control, DeviceOn/iService enables easy device configuration and deployment for convenient remote device management.

### Specifications

System	Processor	Intel® Atom™ x7-Z8750 quad-core, 1.6 GHz (2M cache, up to 2.56 GHz)
	Memory	4 GB LPDDR3
	OS	Windows 10 IoT Enterprise, Android 6.0
Storage	eMMC	64 GB
	Micro-SD	Up to 256 GB
Display	Type	10.1" FHD LCD
	Resolution	WUXGA 1920 x 1200
	Brightness	380 cd/m²
	Touch Type	10-point, multi-touch projected capacitive
Communication	Glass Type	Corning® Gorilla® Glass 3
	WLAN	IEEE 802.11 a/b/g/n/ac
	Bluetooth	Bluetooth® v4.1
Connectivity	NFC	13.56 MHz, compatible with ISO15693, ISO14443A, FeliCa
	Standard I/O	1 x Micro HDMI, 1 x USB 3.0, 1 x combo audio jack, 1 x 19 VDC-in jack, 1 x SIM card reader, 1 x micro SD card reader
	Extended I/O	1 x AIM extension 14-pin pogo connector: 1 x USB 2.0, 1 x 2-wire UART, 5V/1A power
	Docking	1 x AIM dock 16-pin pogo connector: 1 x USB 3.0, 9V power
Audio	Speaker	2 x Internal speakers (2 W)
	Audio Jack	1 x Audio combo jack (combines stereo audio output and mono microphone input)
Camera	Front	2.0-megapixel fixed-focus camera
	Rear	5.0-megapixel auto-focus camera with LED flash
Sensors		Ambient light sensor, e-compass, g-sensor, gyroscope
Control Buttons		1 x Power button, 2 x volume keys (up/down), 1 x programmable function key
Battery Capacity Indicators		Green: full (100%); blue: charging; red: low (<10%)
Power	Input Voltage	DC jack: 19V/3.42A Docking pogo: 12V/2A
	Battery	10.8V, 2400 mAh, 26 Whr; swappable Operating time: Up to 5.5 hours (dependent on usage scenario) Charging time: 3 hours
Environment	Operating Temperature	0 – 35 °C/32 – 95 °F
	Storage Temperature	-20 – 60 °C/-4 – 140 °F
	IP Rating	IP65
	Shock	Operating: SAE J1455 compliant; non-operating: IEC 60721-3-5 5M3 compliant
	Vibration	SAE J1455
	Humidity	Operating: 10 – 90% @ 30 °C non-condensing Storage: -10 – 95% non-condensing
Physical Characteristics	Drop Tested	Up to 120 cm/4 ft onto plywood over concrete
	Dimensions (W x D x H)	280 x 18.3 x 180.1 mm/11 x 0.7 x 7.1 in
	Weight	980 g/2.2 lb
Certifications	Color	White/blue
		CE/FCC Class B, UL60601-1, EN60601-1

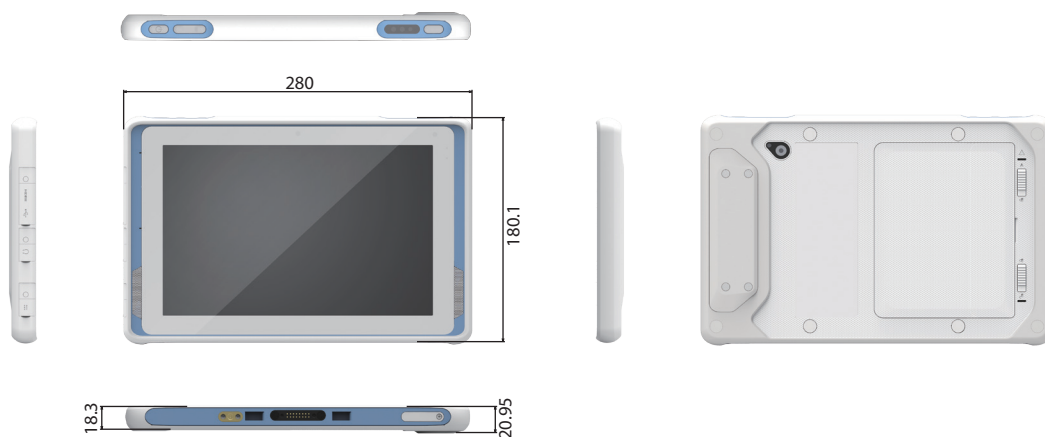
## Specifications (Cont.)

DeviceOn/iService Remote Device Management	Operating System	Windows 10	Android 6
	Common Controls (Reboot, Shutdown)	✓	✓
	Remote desktop	✓(VNC)	✓(VNC)
	Device-Specific Controls	Audio	Audio, Backlight
	Connection Status	✓	✓
	Hardware Status	✓*	✓*
	Hard Disk Status	✓*	✓*
	Batch Operation Support	✓	✓
	OTA Storage Management	FTP	Local blob
	OTA Software Updates	✓	✓
	Software Watchlist	✓	✓
	Software Start/Stop	✓*	✓
	Kiosk Mode	✓	✓
	*Dependant on device model	Peripherals Watchlist	✓*

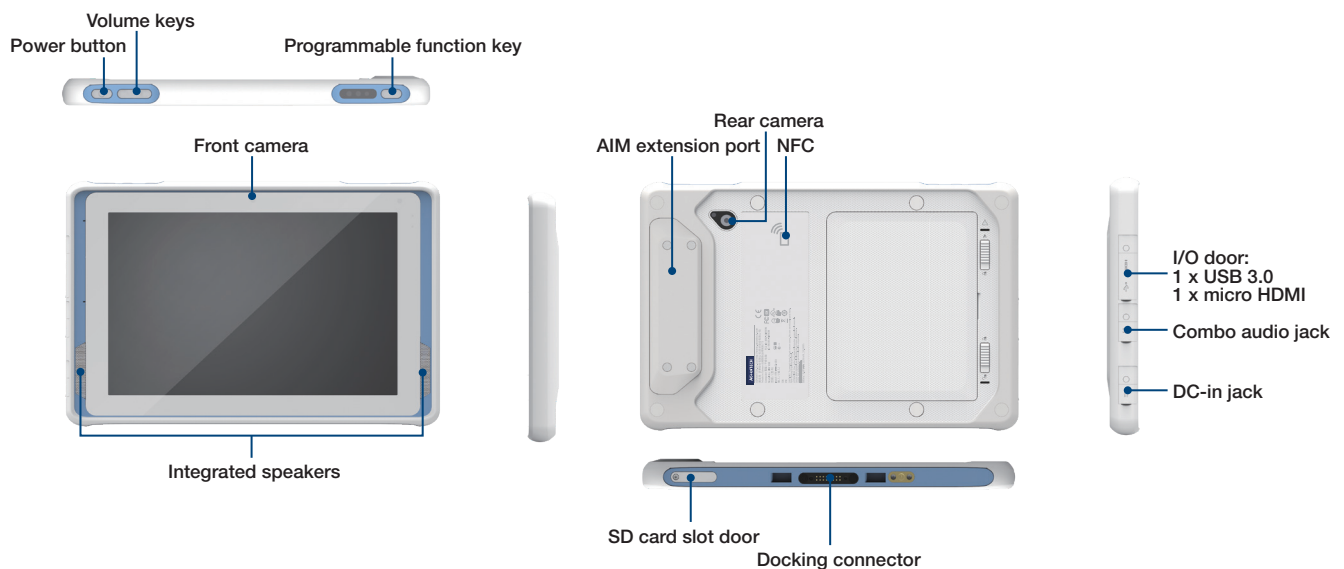
Note: DeviceOn/iService software must be downloaded from the Advantech website at <https://www.advantech.com/search/?q=DeviceOn%2FiService&st=support&sst=Utility>

## Dimensions

Unit: mm



## System Layout



## Ordering Information

Part Number	Description	Memory	Storage	LCD	Barcode	NFC	Wi-Fi/BT	LTE+GPS	F-Camera	R-Camera	OS
AIM-58CT-14101000	10I/4G/64G/WIN10/LTSC/W/AC	4 GB	64 GB	380 nits	X	V	V	X	2M	5M	Win 10 IoT Enterprise LTSC 2021
AIM-58CT-12101000	10I/4G/64G/WIN10/LTSB/W/AC	4 GB	64 GB	380 nits	X	V	V	X	2M	5M	Win 10 IoT Enterprise LTSB 2016
AIM-58CT-13101000	10I/4G/64G/A6.0/W/AC	4 GB	64 GB	380 nits	X	V	V	X	2M	5M	Android 6.0

## Optional Accessories

Part Number	Description
XAIM-FSP065-DBCM1	Adaptor A/D 100-240V 65W 19V C8 DC jack (for medical devices)
1700029083-01	Power cable, UL, 2P, 10A, 125V, 112 cm (US)
1700001949	Power Cord(UK) BSI 2P 2.5A 250V 183cm
1700029278-01	Power Cord (Japan) PSE 2P 7A 125V 183cm
1700029279-01	Power Cord (NZ/AU) SAA 2P 2.5A 250V 183 cm
1700008972	Power cord (China)CCC 2P 2.5A 250 V 183 cm
1700001948-11	Power cord (EU) EU 2P 2.5A 250 V 183 cm
1700021662-01	Power Cord (TW) BSMI 2P 2.5A 125V 183cm

Note: The above power cables are suitable for AIM-55, AIM-VSD, and AIM-MCS.

## Packing List

Description
1 x AIM-58
1 x AC adaptor
1 x 2-pin power cable (US)

# DeviceOn/iService

## Unified Remote Device Management Software



### Features

- Supports Advantech devices equipped with Windows, Android, and Linux OS
- Flexible device, location, user, and permissions management
- Enables remote monitoring and control of hardware, software, and peripherals
- Supports over-the-air (OTA) firmware and software updates
- Ensures quick, easy, and secure device onboarding
- RESTful APIs for third-party system integration

### Introduction

Advantech's DeviceOn/iService is a next-generation unified device management solution based on the WISE-DeviceOn platform. Designed to enable centralized monitoring and remote management, DeviceOn/iService supports Advantech devices equipped with Windows, Linux, or Android operating systems. The software also supports the management of applications and integrated peripherals, such as a barcode scanner, card reader, camera, and printer. Users can remotely access and control connected devices, take screenshots, rollout OTA upgrades, and use remote desktop capabilities for troubleshooting from any location at any time. Moreover, DeviceOn/iService supports batch operations to facilitate the management of multiple devices simultaneously for easy and convenient device configuration and deployment.

### Total Management



#### Devices & Hardware

- Windows, Linux, Android
- Hardware, storage, battery



#### Software & Peripherals

- Software monitoring & access
- Screens, USB devices, printers



#### Open for Expansion

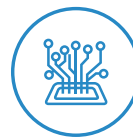
- Peripheral integration
- Open APIs for integration

### Remote Access



#### Real-Time Monitoring

- Connection/hardware status
- Software/peripheral status
- Failure notifications



#### Remote Controls

- Power controls
- Audio, backlight controls
- Software controls



#### Troubleshooting

- Screenshots
- Remote desktop support

### Operational Efficiency



#### OTA updates

- System/software updates
- File repository management
- App store



#### Batch Controls

- 1-to-many batch reboot, etc.
- Time-saving tasks

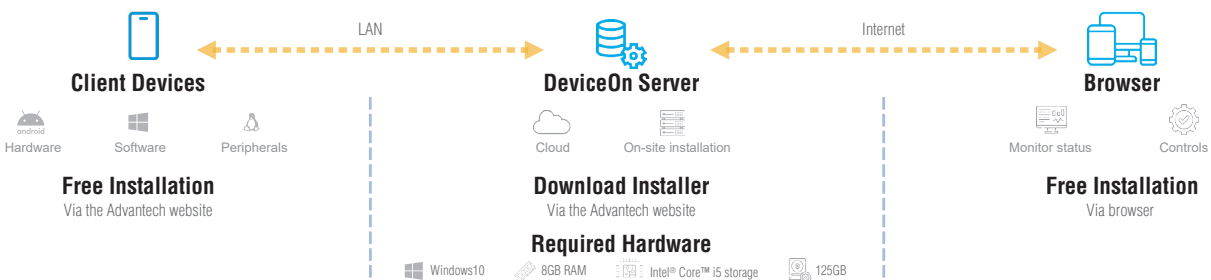


#### Setup Booster

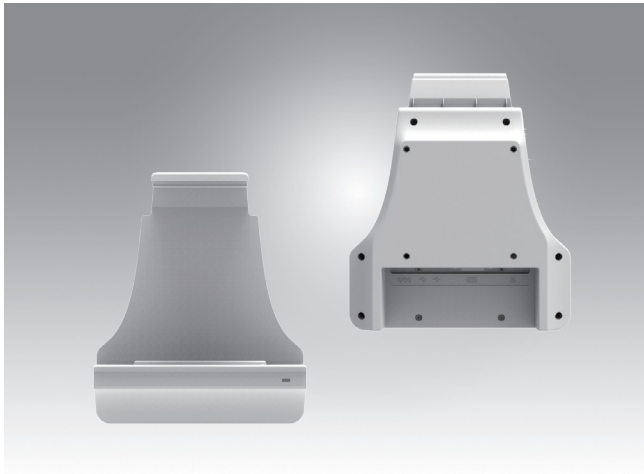
- Software/peripheral watchlist
- Roles, rule templates

Note: Some functions may vary according to the product

### System Architecture



# AIM-58 VESA Docking Station



CE FCC

## Features

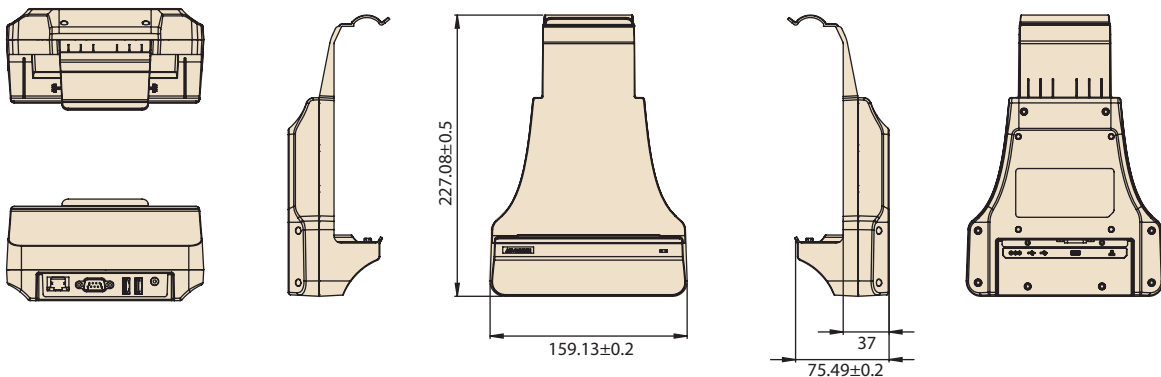
- 9 ~ 32 V input voltage range
- VESA (75 x 75 mm) compliant docking station
- -10 ~ 50 °C/14 ~ 122 °F operating temperature
- Reliable docking connector for office applications

## Specifications

		Advanced VESA Docking Station	Basic VESA Docking Station
I/O		2 x USB 3.0/2.0 1 x RS-232 COM 1 x Gigabit LAN 1 x Power jack	2 x USB 2.0 1 x Power jack
Stand		N/A	N/A
Power	Input Voltage	9 ~ 32 V	19 V
Mechanical	Dimensions (W x D x H)	159.13 x 75.49 x 227 mm/6.3 x 2.9 x 8.9 in	159.13 x 75.49 x 227 mm/6.3 x 2.9 x 8.9 in
	Weight	0.33 kg/0.72 lb	0.32 kg/0.71 lb
Environment	Operating Temperature	-10 ~ 50 °C/14 ~ 122 °F; 0 ~ 40 °C/32 ~ 104 °F when charging	-10 ~ 50 °C/14 ~ 122 °F; 0 ~ 40 °C/32 ~ 104 °F when charging
	Storage Temperature	-20 ~ 70 °C/-4 ~ 158 °F	-20 ~ 70 °C/-4 ~ 158 °F
	Safety	UL, CB, LVD, CCC	UL, CB, LVD, CCC
	Certifications	CE, FCC, CCC	CE, FCC, CCC

## Dimensions

Unit: mm



## Ordering Information

Part Number	Description
AIM-VSD0-1001	AIM 10 advanced VESA docking station (full I/O)
AIM-VSD0-1003	AIM 10 basic VESA docking station (USB and charger only)

## Packing List

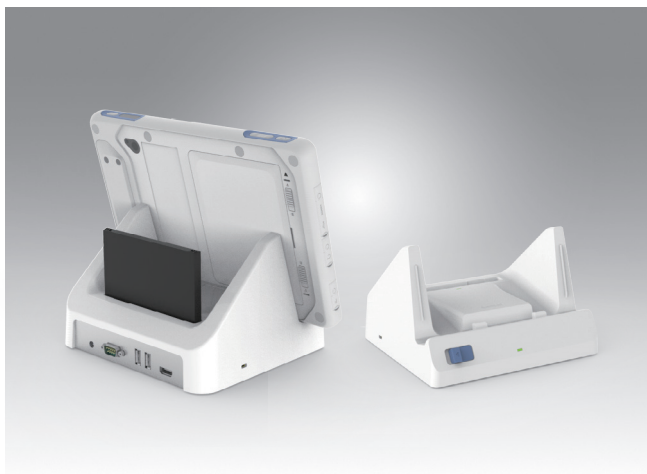
Item	AIM-VSD0-1001	AIM-VSD0-1003
1	1 x VESA dock with full I/O	1 x VESA dock (USB and charger only)

Note: The above products do not include a power cable. Customers must order them separately for the specific country of use.

## Optional Accessories

Part Number	Description
XAIM-FSP065-DBCMI	Adaptor A/D 100-240V 65W 19V C8 DC jack (for medical devices)
1700001947	Power cord (USA) UL 2P 7A 125 V 183 cm
1700001949	Power Cord(UK) BSI 2P 2.5A 250V 183cm
1700029278-01	Power Cord (Japan) PSE 2P 7A 125V 183cm
1700029279-01	Power Cord (NZ/AU) SAA 2P 2.5A 250V 183 cm
1700008972	Power cord (China)CCC 2P 2.5A 250 V 183 cm
1700001948-11	Power cord (EU) EU 2P 2.5A 250 V 183 cm
1700021662-01	Power Cord (TW) BSMI 2P 2.5A 125V 183cm

# AIM-58 Desk Docking Station



## Features

- 10 ~ 50 °C/14 ~ 122 °F operating temperature
- Reliable docking connector for office applications

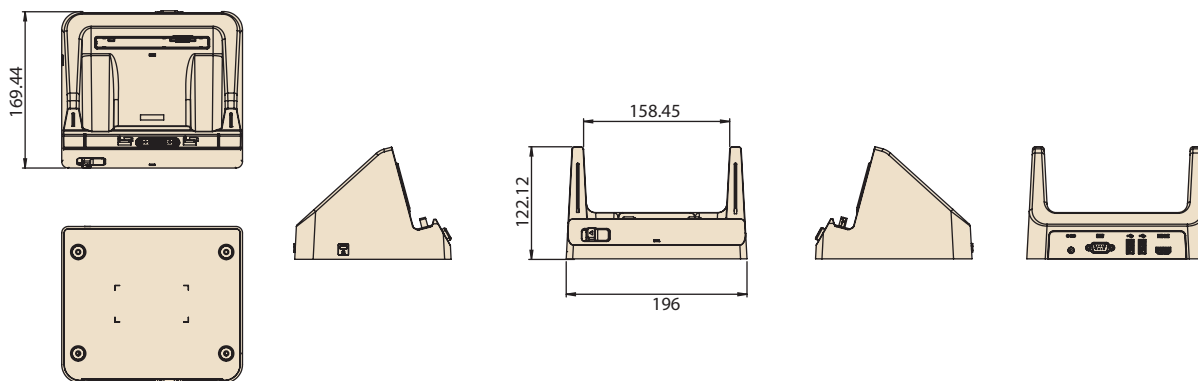
CE FCC CCC

## Specifications

		Advanced Desk Docking Station	Basic Desk Docking Station
I/O		2 x USB 2.0 1 x RS-232 COM 1 x Power jack 1 x HDMI 1 x Battery charging bay	2 x USB 2.0 1 x Power jack
	Power	Input Voltage 19 V	19 V
Mechanical	Dimensions (W x D x H)	196 x 169.44 x 122.12 mm/7.72 x 6.67 x 4.81 in	196 x 169.44 x 122.12 mm/7.72 x 6.67 x 4.81 in
	Weight	0.76 kg/1.68 lb	0.75 kg/1.65 lb
Environment	Operating Temperature	-10 ~ 50 °C/14 ~ 122 °F; 0 ~ 40 °C/32 ~ 104 °F when charging	-10 ~ 50 °C/14 ~ 122 °F; 0 ~ 40 °C/32 ~ 104 °F when charging
	Storage Temperature	-20 ~ 70 °C/-4 ~ 158 °F	-20 ~ 70 °C/-4 ~ 158 °F
	Safety	CE, FCC, CCC	UL, CB, LVD, CCC
	Certifications	UL, CB, LVD, CCC	CE, FCC, CCC

## Dimensions

Unit: mm



## Ordering Information

Part Number	Description
AIM-OFD0-0001	AIM 10 advanced desk docking station (full I/O)
AIM-OFD0-0003	AIM 10 basic desk docking station (USB and charger only)

## Packing List

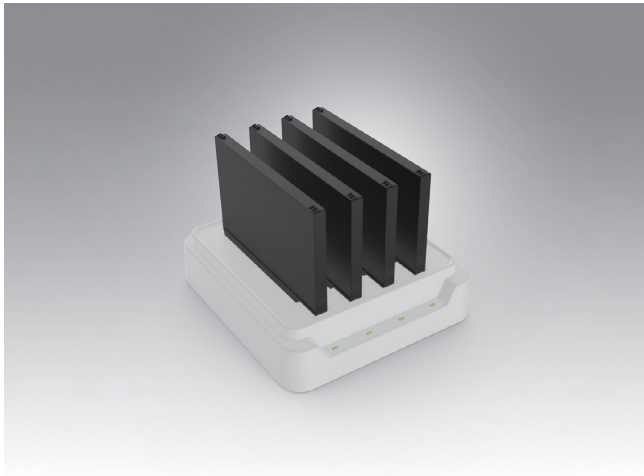
Item	AIM-OFD0-0001	AIM-OFD0-0003
1	1 x Desk dock with full I/O	1 x Desk dock (USB and charger only)

Note: The above products do not include a power cable. Customers must order them separately for the specific country of use.

## Optional Accessories

Part Number	Description
XAIM-FSP065-DBCMI	Adaptor A/D 100-240V 65W 19V C8 DC jack (for medical devices)
1700001947	Power cord (USA) UL 2P 7A 125 V 183 cm
1700001949	Power Cord(UK) BSI 2P 2.5A 250V 183cm
1700029278-01	Power Cord (Japan) PSE 2P 7A 125V 183cm
1700029279-01	Power Cord (NZ/AU) SAA 2P 2.5A 250V 183 cm
1700008972	Power cord (China)CCC 2P 2.5A 250 V 183 cm
1700001948-11	Power cord (EU) EU 2P 2.5A 250 V 183 cm
1700021662-01	Power Cord (TW) BSMI 2P 2.5A 125V 183cm

# AIM Multi-Battery Charging Station



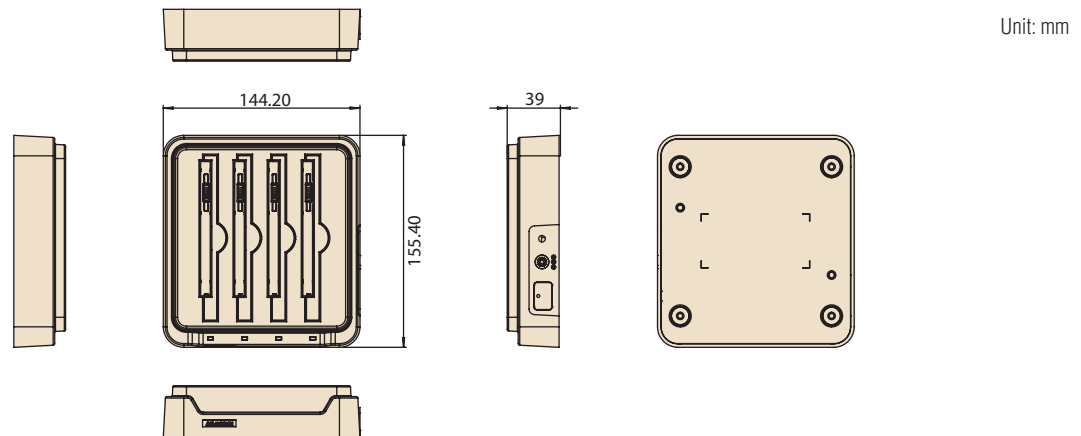
## Features

- Supports charging of up to 4 batteries simultaneously
- Overcurrent and overvoltage protection provided
- LED indicators for monitoring charging status

## Specifications

Multi-Battery Charging Station for AIM		
Capacity	Number of Bays	4
	Charging Current	1 A
Power	Charging Voltage	12.6 V
	Input Voltage	19 V
	LED Indicators	Green: full Amber: charging Red: error
Mechanical	Dimensions (W x D x H)	144 x 155 x 39 mm/5.66 x 6.1 x 1.53 in
	Weight	0.48 kg/1.05 lb
Environment	Operating Temperature	0 ~ 40 °C/32 ~ 104 °F
	Storage Temperature	-10 ~ 50 °C/14 ~ 122 °F
	Safety	UL, CB, LVD, CCC, RCM
	Certifications	CE, FCC, CCC, RCM, BSMI

## Dimensions



## Ordering Information

Part Number	Description
AIM-MBCS-0001	Multi-battery charging station for AIM

## Packing List

Item	AIM-MBCS-0001
1	1 x Multi-battery charging station
2	1 x AC/DC adaptor

Note: The above products do not include a power cable. Customers must order them separately for the specific country of use.

## Optional Accessories

Part Number	Description
96PSA-A65W19V1-3	Adaptor A/D 100 – 240V, 65W, 19V, C6 DC plug 180° 62368
1700001524	Power cable, UL, 3P, 10A, 125V, 180 cm (US)
1700008921	Power cable, PSE, 3P, 7A, 125V, 183 cm (Japan)
1700019146	Power cable, CCC, 3P, 10A, 125V, 183 cm (China)
1700018553	Power cable, SAA, 3P, 2.5A, 250V, 183 cm (Australia/NZ)
170203180A	Power cable, BSI, 3P, 2.5A, 250V, 183 cm (UK)
170203183C	Power cable, CE, 3P, 10A, 250V, 183 cm (EU)

# AIM-58 Peripherals and Accessories

## Extension Modules

**Barcode scanner (20°)**



**Barcode scanner (70°)**



**LAN + COM module**



Part Number	AIM-BCRS-0020	AIM-BCRS-0070	AIM-LANC-0001
<b>Features</b>	<ul style="list-style-type: none"> <li>Sensor: 640 x 480 CMOS sensor</li> <li>Illumination/Aimer: white LED illumination/red LED dot aimer</li> <li>Frame rate: 30 fps</li> <li>Field of view: horizontal: 37.8°; vertical: 28.8°</li> </ul>	<ul style="list-style-type: none"> <li>Sensor: 640 x 480 CMOS sensor</li> <li>Illumination/Aimer: white LED illumination/red LED dot aimer</li> <li>Frame rate: 30 fps</li> <li>Field of view: horizontal: 37.8°; vertical: 28.8°</li> </ul>	<ul style="list-style-type: none"> <li>1 x 10/100 Ethernet port</li> <li>1 x COM port</li> </ul>
<b>Dimensions</b>	130.2 x 38.7 x 27.8 mm/5.12 x 1.52 x 1.09 in	130.2 x 38.7 x 32 mm/5.12 x 1.52 x 1.25 in	130.2 x 70 x 29 mm/5.12 x 2.75 x 1.14 in
<b>Weight</b>	0.042 kg/0.092 lb	0.042 kg/0.092 lb	0.078 kg/0.171 lb

## Accessories

**Hand strap**



Stylus holder

**Shoulder strap (portrait)**



**Shoulder strap (landscape)**



**Battery with meter**



Part Number	AIM-SRP0-0000	AIM-SRP0-0001	AIM-SRP0-0002	AIM-BATO-0452
<b>Features</b>	1 x Black strap 1 x Stylus holder	1 x Black strap 1 x Stylus holder	1 x Black strap 1 x Stylus holder	1 x Black battery with meter
<b>Dimensions</b>	240 x 20 mm/ 9.44 x 0.78 in	380 x 135 x 20 mm/ 14.96 x 5.31 x 0.78 in	1820 x 20 mm/ 71.65 x 0.78 in	120 x 87 x 7.5 mm/ 4.72 x 3.43 x 0.30 in
<b>Weight</b>	0.022 kg/0.048 lb	0.05 kg/0.11 lb	0.05 kg/0.11 lb	0.147 kg/0.324 lb

**Active stylus**



Part Number	AIM-P704
<b>Features</b>	1 x Black stylus pen
<b>Dimensions</b>	140 x 9.7 mm/5.51 x 0.38 in
<b>Weight</b>	0.02 kg/0.044 lb