

AIM-68S

10.1" Industrial Tablet with Intel Alder Lake-N Processor



Features

- Equipped with DeviceOn/iService software for remote device management
- Intel Alder Lake-N processor for Windows 11 IoT Enterprise (GAC)
- The battery with capacity meter that shows the remaining power and recharge status minimizes system interruptions for reliable long-duration operation
- Integrated barcode scanner supports data collection
- 10" WUXGA full HD display with scratch-resistant Corning® Gorilla® Glass 3 and multi-touch PCAP control
- Wi-Fi 6E, Bluetooth® 5.3, NFC technology for seamless communications
- Optional extension include 1D/2D barcode scanner, LAN module

Introduction

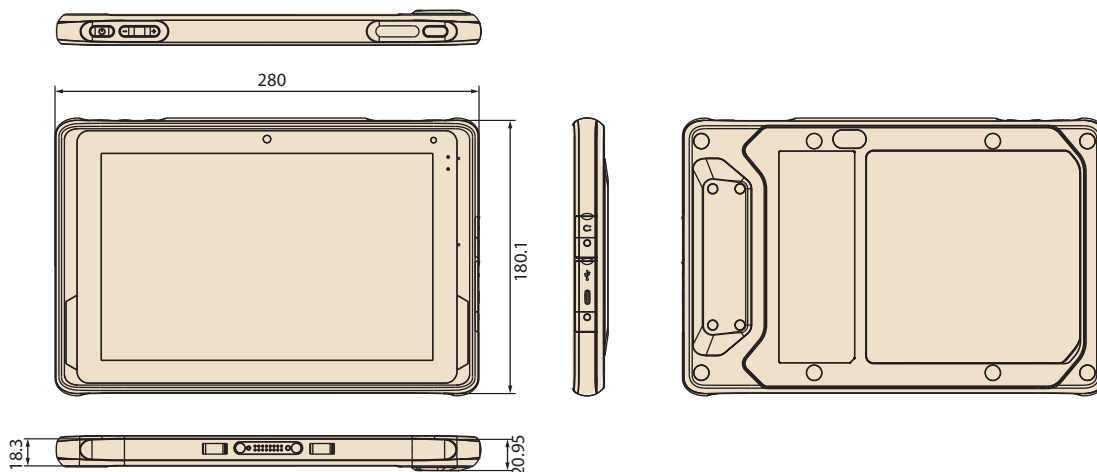
AIM-68S is an industrial-grade tablet equipped with IP65-rated protection and, Wi-Fi capabilities that enable mobile computing. AIM-68S can be integrated with built-in barcode and additional optional peripherals including a 1D/2D barcode scanner and LAN. This makes AIM-68S ideal for a wide range of operations in the manufacturing, warehouse, and retail industries.

Specifications

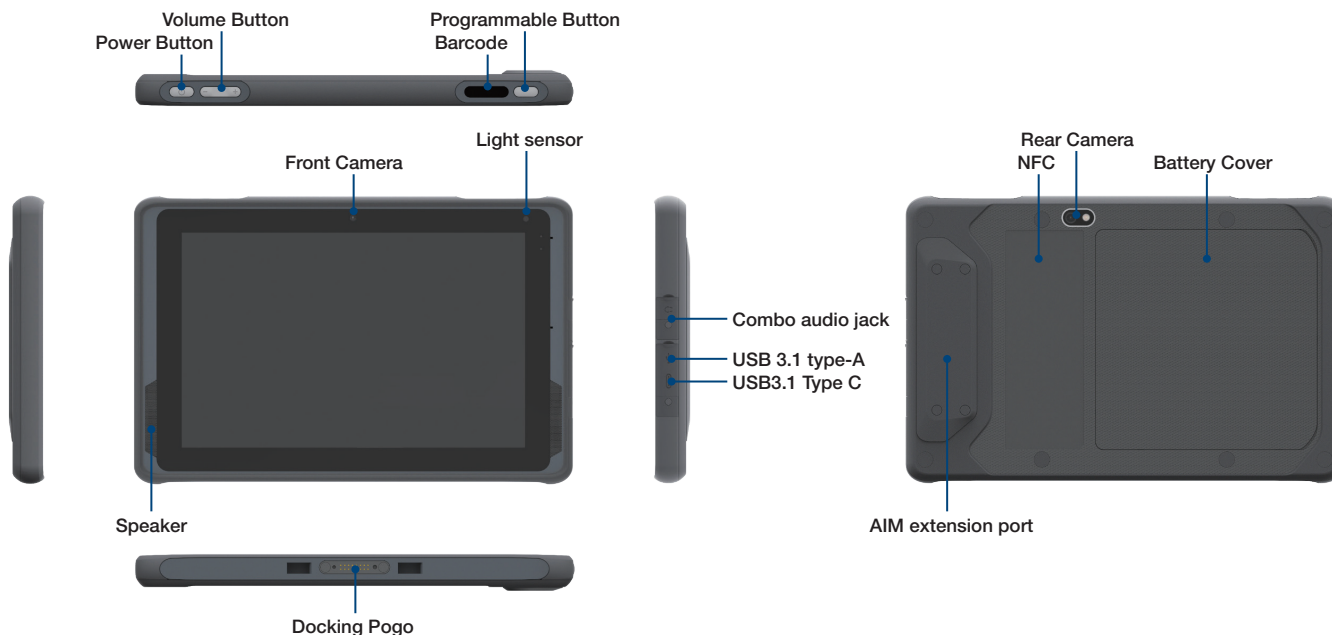
System	Processor	Intel® N200, 3.70 GHz
	Memory	8GB LPDDR5
	OS	Windows 11 IoT Enterprise (GAC)
Storage	Storage	m.2 NVMe SSD 128GB (Optional: 256GB)
Security		TPM 2.0
Display	Type	10.1" FHD LCD
	Resolution	WUXGA 1920 x 1200
	Brightness	380 cd/m ²
	Touch Type	10-point multi-touch P-CAP touch control
	Glass Type	Corning® Gorilla® Glass 3
Communication	WLAN	IEEE 802.11a/b/g/n/ac/ax
	Bluetooth	Bluetooth® 5.3
Connectivity	NFC	13.56 MHz, compatible with ISO15693, ISO14443A, ISO 14443B, FeliCa
	Standard I/O	1x USB3.1 Type C for Charging &DP, 1x USB 3.1 type-A
	Extended I/O	1 x AIM extension 14-pin pogo connector: 1 x USB 2.0, 1 x 2-wire UART, 5V/1A power
	Docking	1 x AIM docking 16-pin pogo connector: 1 x USB 3.0, 12V power
	Speaker	2 x Internal speakers (2 W)
Audio	Audio Jack	1 x Audio combo jack (combines stereo audio output and mono microphone input)
Camera	Front	5.0-megapixel fixed-focus camera
	Rear	13.0-megapixel auto-focus camera with LED flash
Sensors		Ambient Light Sensor, e-Compass, G-sensor, Gyroscope
Barcode Scanner(Optional)		Integrated 1D/2D barcode scanner
Control Buttons		1 x Power button, 2 x volume keys (up/down), 1 x programmable function key
System Indicator		Full: green (100%); Charging: blue; Low: orange (≤10%)
Power System	Input Voltage	USB Type-C: 20V/3.25A Docking pogo: 12V/2A
	Battery	Smart battery with capacity LED indicators; 11.55V, 4010mAh, 46.31Wh, Operating time: 5.5 hr (depending on usage scenario*) Charging time: < 3 hr
Environment	Operating Temperature	-10 ~ 50 °C (14 ~ 122 °F)
	Charging Temperature	0 ~ 40 °C (32 ~ 104 °F)
	Storage Temperature	-20 ~ 60 °C (-4 ~ 140°F)
	IP Rating	IP65
	Shock	IEC60068-2-27
	Vibration	IEC60068-2-64
	Humidity	Operating: 40 °C @ 95% relative humidity, non-condensing Storage: 60 °C @ 95% relative humidity, non-condensing
Physical Characteristics	Drop Tested	Up to 120 cm (4 ft) onto plywood over concrete
	Dimension (W x D x H)	280 x 18.3 x 180.1 mm (11 x 0.7 x 7.1 in)
	Weight	1.1 Kg (2.4 lb)
Certifications	Color	Dark Grey
		FCC, CE, CB, UL, TELEC, VCCI, BSMI, NCC, CCC, SRRC, RCM, IC

Dimensions

Unit: mm



System I/O



Ordering Information

Part Number	Description	Memory	Storage	LCD	Barcode	NFC	Wi-Fi/BT	F-Camera	R-Camera	OS
AIM-68S-201000	10I/N200/8G/128G/Win 11/Wifi 6E	8 GB	128 GB	380 nits	X	V	V	5M	13M	Windows 11 IoT Enterprise (GAC)
AIM-68S-201B00	10I/N200/8G/128G/Win 11/Wifi 6E/W BCR	8 GB	128 GB	380 nits	V	V	V	5M	13M	Windows 11 IoT Enterprise (GAC)

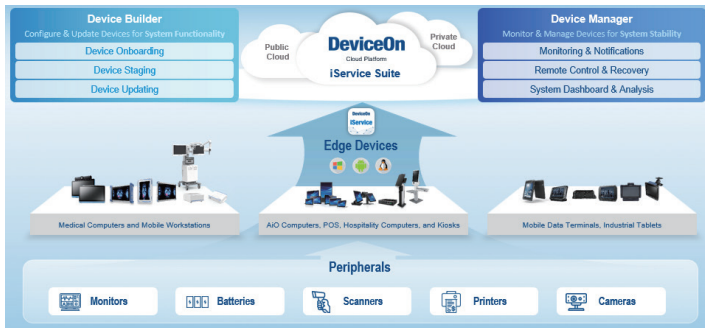
Optional Accessories

Part Number	Description
1700001524	Power cord (USA) UL 3P 10A 125V 183 cm
1700008921	Power cord (Japan) PSE 3P 7A 125V 183 cm
1700019146	Power cord (China) CCC 3P 10A 250V 183 cm
1700018553	Power cord (NZ/AU) SAA 3P 10A 250V 183 cm
170203180A	Power cord (UK) BSI 3P 10A 250V 183 cm
170203183C	Power cord (EU) 3P 2.5A 250V 183 cm

AIM-68S Packing List

Description
1 x AIM-68S
1 x AC/DC adaptor
1 x Power cord (TW)

DeviceOn - iService Suite



Introduction

Advantech's DeviceOn - iService Suite is an advanced remote device management solution that enables you to centrally manage your devices, minimizing the need for expensive on-site visits and saving your valuable time and resources. Device Builder ensures that your devices are always up-to-date with the latest configuration and software updates, reducing the risk of data breaches and other security threats. Meanwhile, Device Manager helps to ensure that your devices are functioning correctly, reducing downtime and enhancing productivity.

Key Functions

Device Builder



Device Onboarding

- Support Windows, Linux, Android devices
- Quick enrollment process



Device Staging

- OS configuration
- Software/peripheral watchlist
- Device label, alarm rules



Device Updating

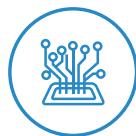
- Cloud software storage
- Installation package for multiple software updating

Device Manager



Monitoring & Notifications

- Connection/hardware status
- Software/peripheral status
- Failure notifications



Remote Control & Recovery

- Reboot & power controls
- Audio & backlight settings
- Screenshots & remote desktop



System Dashboard

- Devices working status
- Software version sync status
- Results of scheduled tasks

Services & Specifications

Functions List	OS Platform			Service Type	
	Windows	Android	Linux (Ubuntu)	Builder	Manager
	10, 11	8, 10, 12	TBD		
Device Onboarding - Enrollment, Locations and Labels	✓	✓		✓	✓
Profile - OS Settings (KIOSK Mode, ON/Off Schedule, others are OS dependent)	✓ (LTSC)	✓		✓	✓
Profile - Alarm Rules, Software Monitoring, Peripheral Monitoring	✓	✓			✓
OTA Update - Installation Packs, Software Cloud Storage	✓	✓		✓	✓
Monitoring - Device Hardware (CPU/RAM/Storage/Battery)	✓	✓			✓
Monitoring - Advanced Battery Management	✓ (Dependant on device model)				✓
Monitoring - Device Software (Running Status/CPU & Memory Usage)	✓	✓			✓
Monitoring - Peripherals & Display (Connect Status)	✓				✓
Control - Audio volume & Backlight	✓	✓			✓
Control - Screenshot, Reboot, Shutdown	✓	✓			✓
Control - Schedule Tasks	✓	✓			✓
Control - Remote Desktop	VNC				✓

Ordering Information

Ordering P/N	Cloud Type	Description
36CSDOISSASP01	SaaS subscription	DeviceOn - iService Suite device annual fee (365 days)
36CSDOISPSRP01	On-premise server	DeviceOn - iService Suite device license (perpetual)
36CSDOISPSRP02	On-premise server	Software and installation fee for new server deployment
36CSDOISPSRP03	On-premise server	Annual maintenance fee after warranty

AIM-68S Vehicle Docking Station



Features

- Compatible with 9 ~ 32 V_{DC} in-vehicle power supply
- Easy and instant single-handed docking and undocking
- Anti-theft locking mechanism
- External GPS antenna
- Programmable function keys
- High-density connectors
- Compliant with IEC60068-2-64 for vibration and IEC60068-2-27 for shock tolerance
- Safe and reliable design for vehicle applications

Specifications

		Fully Configured Unit	Charging Dock Only
I/O	High-Density Connector	1 x CAN bus (supports raw CAN, J1939, OBD-II/ISO 15765) with configurable firmware 5 x Digital inputs 1 x Odometer (supports dry and wet contact) with configurable and switchable firmware (default wet contact) 2 x Digital outputs (supports speed pulse) 1 x RS-232 (4 wire) 1 x RS-232/485 (2 wire) (default RS-485, termination enabled) 1 x USB 2.0 1 x Power input 12 V 1 A	1 x Power input 12 V 1 A
GPS	GPS Extended	1 x External GPS antenna	N/A
Function Keys		5 x Programmable function keys	N/A
Key Lock		Anti-theft key lock (key can be removed)	N/A
Power	Input Voltage	Supports 12/24 V vehicle power (9 ~ 32 V _{DC} input range)	
Mechanical	Dimensions (W x D x H)	226 x 83.08 x 250.24 mm (8.9 x 3.27 x 9.9 in)	
	Weight	0.77 kg (1.70 lb)	
Environment	Operating Temperature	-10 ~ 50 °C (14 ~ 122 °F); 0 ~ 40 °C (32 ~ 104 °F) for charging	
	Storage Temperature	-30 ~ 80 °C (-22 ~ 176 °F)	
	IP Rating	IP54	
	Vibration/Shock	IEC60068-2-64 for vibration and IEC60068-2-27 for shock tolerance	
	Safety	UL, CB, LVD, CCC	
	Vehicle Power Regulation	E-Mark, ISO7637-2	
	Certifications	CE, FCC, CCC	

Ordering Information

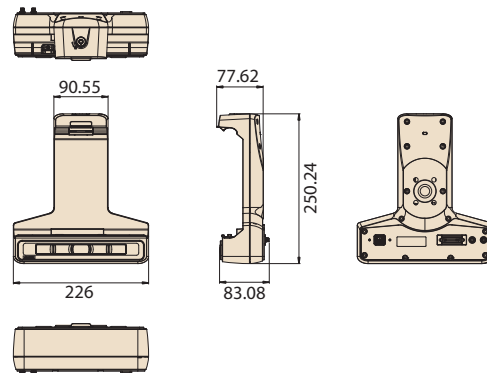
Part Number	Description
AIM-VED0-0422	AIM vehicle docking station (full configuration)
AIM-VED0-0423	AIM vehicle docking station (charging only)
1700026766-01	High-density cable
PWS-770-GPSAN00E	External GPS antenna
1700027666-01	Vehicle power cable (In-house engineer testing only)
1700027665-01	Vehicle power cable (vehicle battery)

Packing List

Item	AIM-VED0-0422	AIM-VED0-0423
1	1 x Vehicle dock (advanced I/O)	1 x Vehicle dock (charger only)
2	1 x Vehicle power cable (vehicle battery)	1 x Vehicle power cable (vehicle battery)

Dimensions

Unit: mm



AIM-68S VESA Docking Station



Features

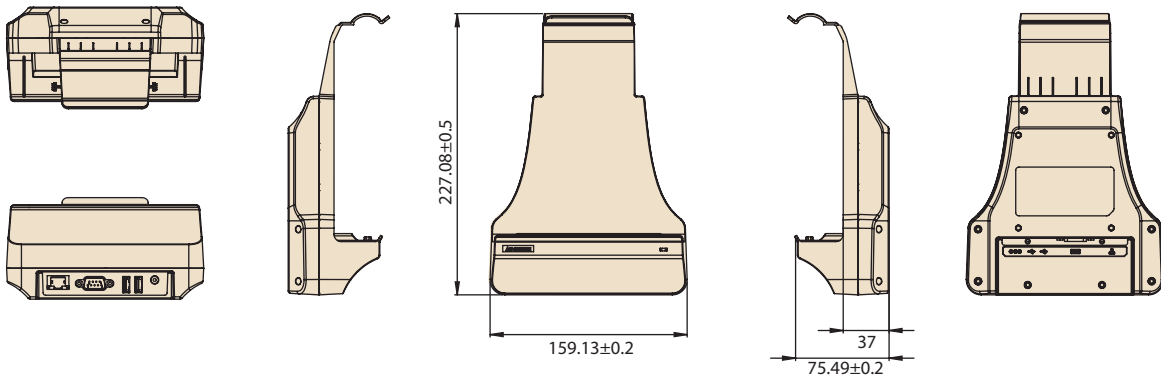
- 9 ~ 32 V wide input voltage range
- VESA (75 x 75 mm)-compliant docking stations
- -10 ~ 50 °C (14 ~122 °F) operating temperature
- Reliable docking connector for office applications

Specifications

		Advanced VESA Docking Station	VESA Docking Station with USB
I/O		2 x USB 3.0 1 x RS-232 COM 1 x Gigabit LAN 1 x Power jack	2 x USB 2.0 1 x Power jack
Stand		N/A	N/A
Power	Input Voltage	9 ~ 32 V	9 ~ 32 V
Mechanical	Dimensions (W x D x H)	159.13 x 75.49 x 227 mm (6.3 x 2.9 x 8.9 in)	159.13 x 75.49 x 227 mm (6.3 x 2.9 x 8.9 in)
	Weight	0.33 kg (0.72 lb)	0.32 kg (0.71 lb)
Environment	Operating Temperature	-10 ~ 50 °C (14 ~122 °F); 0 ~ 40 °C (32 ~104 °F) for charging	-10 ~ 50 °C (14 ~122 °F); 0 ~ 40 °C (32 ~104 °F) for charging
	Storage Temperature	-20 ~ 70 °C (-4 ~ 158 °F)	-20 ~ 70 °C (-4 ~ 158 °F)
	Safety	UL, CB, LVD, CCC	UL, CB, LVD, CCC
	Certifications	CE, FCC, CCC	CE, FCC, CCC

Dimensions

Unit: mm



Ordering Information

Part Number	Description
AIM-VSD0-0470	AIM 10 advanced VESA docking station
AIM-VSD0-0471	AIM 10 VESA docking station with USB

Packing List

Item	AIM-VSD0-0470	AIM-VSD0-0471
1	1 x VESA dock (advanced I/O)	1 x VESA dock (charger and USB only)

Note: The product does not come with an adapter or power cord. Customers will need to order these items separately using the appropriate part numbers.

Optional Accessories

Part Number	Description
AIM-ADP0-0424	ADP A/D 100-240V 65W 19V DC IN
1700001947	Power cord (USA) UL 2P 7A 125V 183 cm
1700001949	Power cord (UK)BSI 2P 2.5A 250V 183cm
1700029278-01	Power cord (Japan) PSE 2P 7A 125V 183cm
1700029279-01	Power cord (NZ/AU) SAA 2P 2.5A 250V 183 cm
1700008972	Power cord (China)CCC 2P 2.5A 250 V 183 cm
1700001948-11	Power cord (EU) EU 2P 2.5A 250 V 183 cm
1700021662-01	Power cord (TW) BSMI 2P 2.5A 125V 183cm

AIM-68S Desk Docking Station



Features

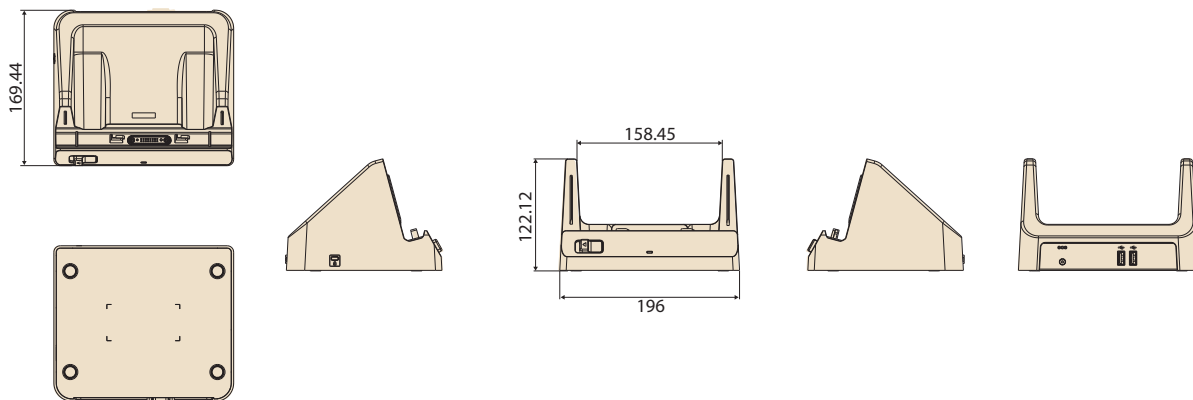
- -10 ~ 50 °C (14 ~122 °F) operating temperature
- Reliable docking connector for office applications

Specifications

		Desk Docking Station with USB
I/O		2 x USB 2.0 1 x Power jack
Power	Input Voltage	19 V
Mechanical	Dimensions (W x D x H)	196 x 169.44 x 122.12 mm (7.72 x 6.67 x 4.81 in)
	Weight	0.75 kg (1.65 lb)
Environment	Operating Temperature	-10 ~ 50 °C (14 ~122 °F); 0 ~ 40 °C (32 ~104 °F) for charging
	Storage Temperature	-20 ~ 70 °C (-4 ~ 158 °F)
	Safety	UL, CB, LVD, CCC
	Certifications	CE, FCC, CCC

Dimensions

Unit: mm



Ordering Information

Part Number	Description
AIM-OFD0-0481	AIM 10 desk dock station with USB

Packing List

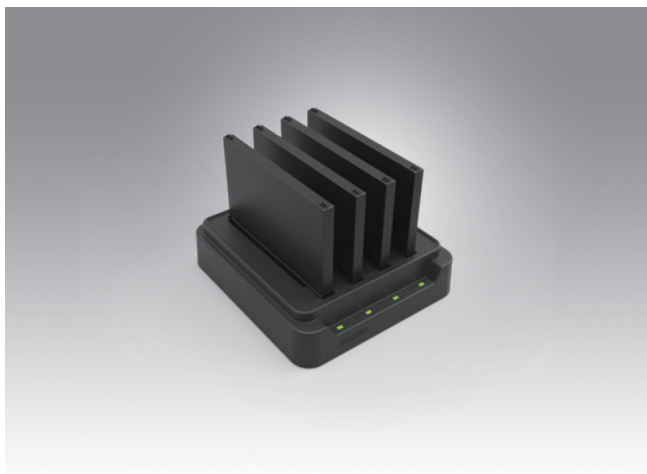
Item	AIM-OFD0-0481
1	1 x Office dock (charger and USB only)

Note: The product does not come with an adapter or power cord. Customers will need to order these items separately using the appropriate part numbers.

Optional Accessories

Part Number	Description
AIM-ADP0-0424	ADP A/D 100-240V 65W 19V DC IN
1700001947	Power cord (USA) UL 2P 7A 125 V 183 cm
1700001949	Power cord (UK) BSI 2P 2.5A 250V 183cm
1700029278-01	Power cord (Japan) PSE 2P 7A 125V 183cm
1700029279-01	Power cord (NZ/AU) SAA 2P 2.5A 250V 183 cm
1700008972	Power cord (China)CCC 2P 2.5A 250 V 183 cm
1700001948-11	Power cord (EU) EU 2P 2.5A 250 V 183 cm
1700021662-01	Power cord (TW) BSMI 2P 2.5A 125V 183cm

AIM Multi-Battery Charging Station



Features

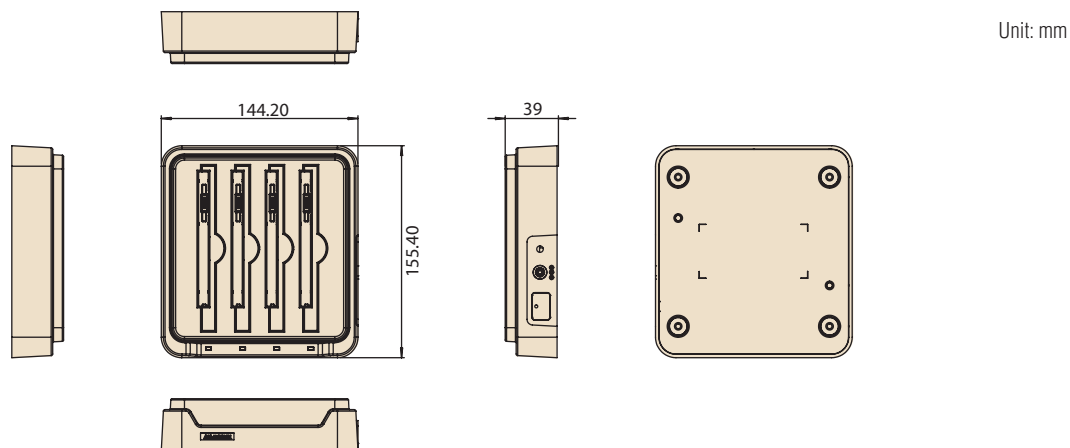
- Supports charging of up to 4 batteries simultaneously
- Overcurrent and overvoltage protection provided
- LED indicators for monitoring charging status



Specifications

		Multi-Battery Charging Station for AIM
Capacity	Number of Bays	4
	Charging Current	1 A
Power	Charging Voltage	12.6 V
	Input Voltage	19 V
LED Indicators		Green: Full Amber: Charging Red: Error
Mechanical	Dimensions (W x D x H)	144 x 155 x 39 mm (5.7 x 6.1 x 1.5 in)
	Weight	0.48 kg (1.05 lb)
Environment	Operating Temperature	0 ~ 40 °C (32 ~ 104 °F)
	Storage Temperature	-10 ~ 50 °C (14 ~ 122 °F)
	Safety Certifications	UL, CB, LVD, CCC, RCM CE, FCC, CCC, RCM, BSMI

Dimensions



Ordering Information

Part Number	Description
AIM-MBC0-0051	Multi-battery charging station for AIM

Packing List

Item	AIM-MBC0-0051
1	1 x Multi Battery Charger
2	1 x AC/DC adaptor

Note: The packing list doesn't include power cord. Please order based on following PNs.

Optional Accessories

Part Number	Description
96PSA-A65W19V1-3	ADP A/D 100-240V 65W 19V C6 DC PLUG 180° 62368
1700001524	Power cord (USA) UL 3P 10A 125V 183 cm
1700008921	Power cord (Japan) PSE 3P 7A 125V 183 cm
1700019146	Power cord (China) CCC 3P 10A 250V 183 cm
1700018553	Power cord (NZ/AU) SAA 3P 10A 250V 183 cm
170203180A	Power cord (UK) BSI 3P 10A 250V 183 cm
170203183C	Power cord (EU) 3P 2.5A 250V 183 cm

AIM-68S Extensions and Accessories

Extension Modules

Barcode Scanner (20°)



Barcode Scanner (70°)



LAN RJ-45 module



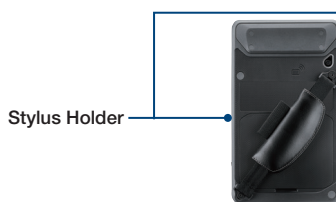
UHF RFID reader (flat type)



Part Number	AIM-EXT0-0040	AIM-EXT0-0041	AIM-P531A0	AIM-EXT0-0050
Features	<ul style="list-style-type: none"> Sensor: 640 x 480 CMOS sensor Illumination & Aiming: White LED illuminator/Red LED dot aimer Frame rate: 30 fps Field of view: Horizontal: 37.8°; Vertical: 28.8° 	<ul style="list-style-type: none"> Sensor: 640 x 480 CMOS sensor Illumination & Aiming: White LED illuminator/Red LED dot aimer Frame rate: 30 fps Field of view: Horizontal: 37.8°; Vertical: 28.8° 	1 x 10/100 Ethernet port	<ul style="list-style-type: none"> RFID output: 25W Antenna type: Linear polarization Frequency: EU: 867 – 869 MHz Supported tag standard: EPC Class 2, Gen. 2/ ISO 18000-6C
Dimensions	130.2 x 38.7 x 27.8 mm (5.12 x 1.52 x 1.09 in)	130.2 x 38.7 x 32 mm (5.12 x 1.52 x 1.25 in)	130 x 38.7 x 31 mm/5.12 x 1.52x1.22 in	130.2 x 110.75 x 82.51 mm/ 5.12 x 4.35 x 3.25 in
Weight	0.042 kg (0.092 lb)	0.042 kg (0.092 lb)	0.044 kg / 0.097 lb	160 g/0.352 lb

Accessories

Hand Strap



Shoulder Strap (Portrait)



Shoulder Strap (Landscape)



Part Number	AIM-SRP0-0000	AIM-SRP0-0001	AIM-SRP0-0002
Features	Black With one stylus holder	Black With one stylus holder	Black With one stylus holder
Dimensions	240 x 20 mm (9.44 x 0.78 in)	380 x 135 x 20 mm (14.96 x 5.31 x 0.78 in)	1820 x 20 mm (71.65 x 0.78 in)
Weight	0.022 kg (0.048 lb)	0.05 kg (0.11 lb)	0.05 kg (0.11 lb)

Active Stylus



Part Number	AIM-P705
Features	Silver
Dimensions	140 x 9.7 mm (5.51 x 0.38 in)
Weight	0.02 kg (0.044 lb)