

# AIM-75

## 8" Industrial-Grade Tablet with Qualcomm® Snapdragon™ 660 Processor, Android 12 with Android Enterprise Recommended



### Features

- Qualcomm® Snapdragon™ 660 with Android 12 and Android Enterprise Recommended
- Certified for Google Mobile Services for downloading apps and APIs
- 8" LCD with 400-nit brightness, 1920 x 1200 resolution
- Corning® Gorilla® Glass 3 touchscreen supports gloved and stylus operation
- IP65-rated protection from water and dust and 4-ft drop tolerance
- LTE, WLAN, Bluetooth, NFC, and GIS capabilities
- Optional peripherals include 1D/2D barcode scanner, LAN+COM, UHF RFID, and MSR modules
- Multi-bay charging and docking stations ensure easy installation in diverse environments



### Introduction

AIM-75 is an industrial-grade tablet with a swappable battery that supports up to 12 hours of operation to facilitate diverse vertical applications. Equipped with IP65-rated protection from water and dust ingress, AIM-75 is suitable for indoor and outdoor installation. In addition to WLAN/LTE capabilities that enable mobile computing, AIM-75 can be integrated with additional optional peripherals including a 1D/2D barcode scanner, LAN+COM, UHF RFID, and MSR modules. This makes AIM-75 ideal for a wide range of operations in the manufacturing, warehouse, retail, and field service industries.

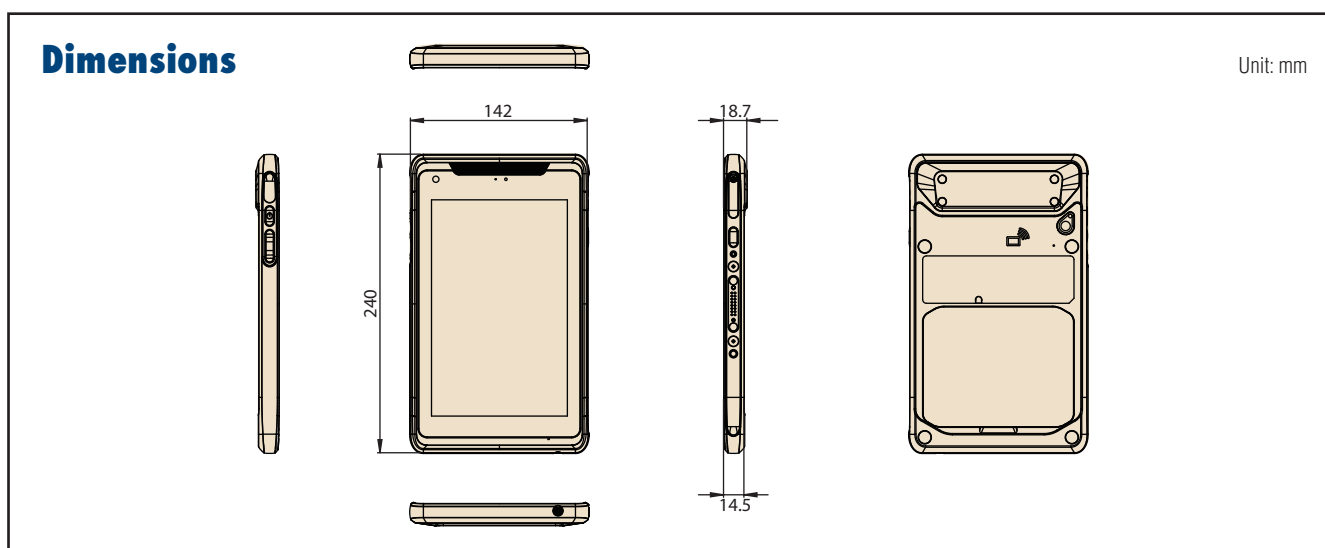
### Specifications

System	Processor	Qualcomm® Snapdragon™ 660 octa-core 2.2 GHz
	Memory	4 GB LPDDR4x
	Operating System	Android 12 with Android Enterprise Recommended
Storage	eMMC	64 GB
	Micro SD slot	Supports up to 2 TB
Display	Type	8" IPS LCD
	Resolution	WUXGA 1920 x 1200
	Brightness	400 cd/m <sup>2</sup>
	Touch Type	10-point multi-touch PCAP touch control
	Glass Type	Corning® Gorilla® Glass 3
Communication	WLAN	IEEE 802.11 a/b/g/n/ac/k/v/r
	Bluetooth	Bluetooth® v5.0
	WWAN (Optional)	Global Cat. 4/6 4G LTE (data only)
	NFC	13.56 MHz, compatible with ISO15693, ISO14443A, ISO 14443B, FeliCa
Connectivity	Standard I/O	1 x USB Type-C 3.0, 1 x combo audio jack, 1 x SIM card reader, 1 x micro SD card reader
	Extended I/O	1 x AIM extension 14-pin pogo connector: 1 x USB 2.0, 1 x 2-wire UART, 5V/1A power
	Docking	1 x AIM docking 16-pin pogo connector: 1 x USB 2.0, 9V power
	Speaker	1 x Internal speakers (1.5W)
	GPS	GPS
Audio	Audio Jack	1 x Audio combo jack (combines stereo audio output and mono microphone input)
Camera	Front	5 megapixel fixed-focus camera
	Rear	8 megapixel auto-focus camera with LED flash
Sensors		Ambient light sensor, P-sensor, e-compass, g-sensor, gyroscope
Control Buttons		1 x Power button, 2 x volume keys (up/down), 1 x programmable function key
System Indicators		Full: green (100%); charging: blue; low charge: red (≤10%)
Power System	Input Voltage	USB Type-C: 5V/3A, 9V/2A Dock pogo: 9V/2A
	Battery	Swappable battery: 4900 mAh (minimum) 18.6 Whr Operating time: up to 12 hrs* Charging time: < 3 hrs*
Environmental	Operating Temperature*	-10 ~ 50 °C/14 ~ 122 °F
	Storage Temperature	-20 ~ 60 °C/-4 ~ 140 °F
	IP Rating	IP65
	Shock	SAE J1455
	Vibration	SAE J1455
	Humidity	Operating: 10 ~ 90% @ 40 °C/104 °F non-condensing Storage: -10 ~ 95% non-condensing
	Drop Tested	Up to 120 cm (4 ft) onto plywood
Physical Characteristics	Dimensions (W x D x H)	240 x 142 x 14.5 mm/9.44 x 5.59 x 0.57 in
	Weight	600 g/1.32 lb
	Color	Dark gray
Certifications		FCC, CE, TELEC, NCC, RCM, IC, VCCI, PTCRB, SRRC, CB, UL, CCC, BSMI

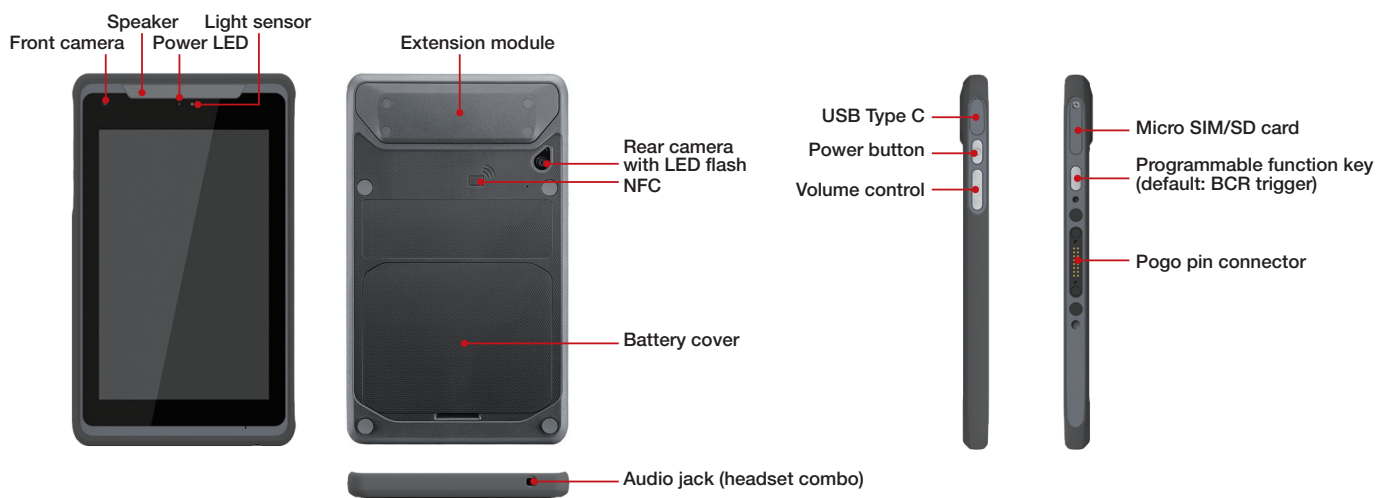
\*The battery operation duration and recharge time may vary according to different factors such as screen brightness, applications, features, power management, battery condition, and other configurable settings.

\*Operating means the tablet is power on and operating

\*Security patch update schedule: 2023/Jul, 2023/Oct, 2024/Jan, 2024/Apr, 2024/Jul, 2024/Oct, 2025/Jan, 2025/Mar



### System I/O



### Android 10 Ordering Information

Part Number	Android 10	Wi-Fi	LTE	GMS	Applicable Regions / Countries
AIM-75S-211S10	✓	✓		✓	Global (except Europe)
AIM-75S-221S10	✓	✓		✓	Europe (except Turkey and Russia)
AIM-75S-200S10	✓	✓			Global
AIM-75S-311S10	✓	✓	✓	✓	North America
AIM-75S-611S10	✓	✓	✓	✓	Global (except Europe)
AIM-75S-621S10	✓	✓	✓	✓	Europe (except Turkey and Russia)
AIM-75S-300S10	✓	✓	✓		North America
AIM-75S-600S10	✓	✓	✓		Global
AIM-75S-800S10	✓	✓	✓		China

Note: For mandatory regulations by country, refer to page 1.

### Android 12 Ordering Information

Part Number	Android 12	WIFI	LTE	GMS	AER	Applicable Region
AIM-75S-230S10	✓	✓				Global
AIM-75S-231S10	✓	✓		✓	✓	Global
AIM-75S-630S10	✓	✓	✓			Global
AIM-75S-631S10	✓	✓	✓	✓	✓	Global
AIM-75S-330S10	✓	✓	✓			North America
AIM-75S-331S10	✓	✓	✓	✓	✓	North America
AIM-75S-830S10	✓	✓	✓			China

### Optional Accessories

Part Number	Description
AIM-ADPO-0525	ADP 45W 100-240V Type-C PD
1700001524	Power cord (USA) UL 3P 10A 125V 183 cm
1700008921	Power cord (Japan) PSE 3P 7A 125V 183 cm
1700019146	Power cord (China) CCC 3P 10A 250V 183 cm
1700018553	Power cord (NZ/AU) SAA 3P 10A 250V 183 cm
170203180A	Power cord (UK) BSI 3P 10A 250V 183 cm
170203183C	Power cord (EU) 3P 2.5A 250V 183 cm

Note: Power cords are suitable for AIM-75, AIM-VSD, and AIM-MCS.

### Packing List

Description
1 x AIM-75 tablet
1 x AC/DC adaptor
1 x Power cord TW

# Vehicle Docking Station



## Features

- Compatible with 9 ~ 32 V<sub>DC</sub> in-vehicle power supply
- Rapid single-handed docking and undocking
- Anti-theft locking mechanism
- External GPS antenna
- Programmable function keys
- High-density connector
- Compliant with SAE J1455 for vibration and shock tolerance
- Safe and reliable design for vehicle applications



## Specifications

		Fully Configured Unit	Charging Dock Only
I/O	High-Density Connector	1 x CAN bus (supports raw CAN, J1939, OBD-II/ISO 15765) with configurable firmware	
		5 x Digital inputs	
		1 x Odometer (supports dry and wet contact) with configurable and switchable firmware (default wet contact)	
		2 x Digital outputs (supports speed pulse)	N/A
		1 x RS-232 (4 wire)	
		1 x RS-232/485 (2 wire) (default RS-485, termination enabled)	
		1 x USB 2.0	
		1 x Power output 12V 1A	
GPS	Extended GPS	1 x External GPS antenna	N/A
Function Keys		5 x Programmable function keys	N/A
Key Lock		Anti-theft key lock (key can be removed)	N/A
Power	Input Voltage	Supports 12/24 V vehicle power (9 ~ 32 V <sub>DC</sub> input range)	
Mechanical	Dimensions (W x D x H)	196 x 76.9 x 212.75 mm/7.71 x 3.02 x 8.37 in	
	Weight	0.5 kg/1.10 lb	
Environmental	Operating Temperature	-10 ~ 50 °C/14 ~ 122 °F (0 ~ 40 °C/32 ~ 104 °F when charging)	
	Storage Temperature	-30 ~ 80 °C/-22 ~ 176 °F	
	IP Rating	IP54	
	Vibration/Shock	SAE J1455	
	Safety	UL, CB, LVD, CCC	
	Vehicle Power Regulation	E-Mark, ISO7637-2	
	Certifications	CE, FCC, CCC	

## Ordering Information

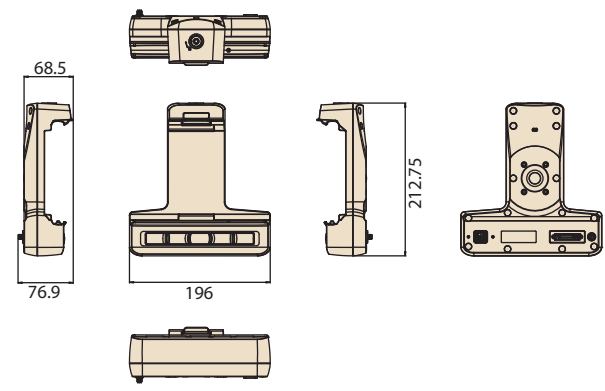
Part Number	Description
AIM-VEH7-0000	AIM vehicle docking station (advanced I/O)
AIM-VEH7-0010	AIM vehicle docking station (power only)
1700026766-01	High-density cable
PWS-770-GPSAN00E	External GPS antenna
1700027666-01	Vehicle power cable (In-house engineer testing only)
1700027665-01	Vehicle power cable (vehicle battery)

## Packing List

Item	AIM-VEH7-0000	AIM-VEH7-0010
1	1 x Vehicle dock (advanced I/O)	1 x Vehicle dock (power only)
2	1 x Vehicle power cable (vehicle battery)	1 x Vehicle power cable (vehicle battery)

## Dimensions

Unit: mm



# Office / VESA Docking Station



## Features

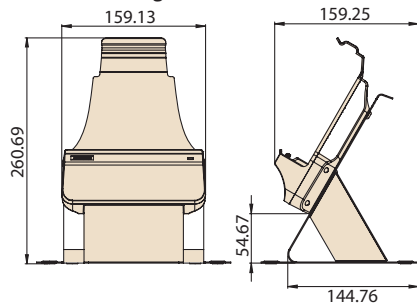
- 9 ~ 32 V wide input voltage range
- VESA (75 x 75 mm) compliant docking stations
- -10 ~ 50 °C/14 ~ 122 °F operating temperature
- Reliable docking connector for diverse applications

## Specifications

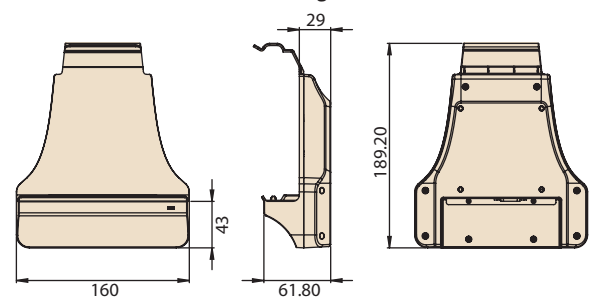
		Office Docking Station (full I/O configuration)	Office Docking Station (basic configuration)	VESA Docking Station (full I/O configuration)	VESA Docking Station (USB)
I/O		2 x USB 3.0 1 x RS-232 COM 1 x Gigabit LAN 1 x Power jack	2 x USB 2.0 1 x Power jack	2 x USB 3.0 1 x RS-232 COM 1 x Gigabit LAN 1 x Power jack	2 x USB 2.0 1 x Power jack
Stand		SECC steel	SECC steel	N/A	N/A
Power	Input Voltage	9 ~ 32 V	19 V	9 ~ 32 V	19 V
Mechanical	Dimensions (W x D x H)	215 x 174.29 x 260.69 mm/ 8.5 x 6.9 x 10.3 in	215 x 174.29 x 260.69 mm/ 8.5 x 6.9 x 10.3 in	160 x 61.8 x 189.2 mm/ 6.3 x 2.4 x 7.4 in	160 x 61.8 x 189.2 mm/ 6.3 x 2.4 x 7.4 in
	Weight	0.75 kg/1.65 lb	0.748 kg/1.64 lb	0.282 kg/0.62 lb	0.28 kg/0.61 lb
Environmental	Operating Temperature	-10 ~ 50 °C/14 ~ 122 °F			
	Storage Temperature	-20 ~ 70 °C/-4 ~ 158 °F			
	Safety	UL, CB, LVD, CCC			
	Certifications	CE, FCC, CCC			

## Dimensions

### Office Docking Station



### VESA Advanced/Basic Docking Station



Unit: mm

## Ordering Information

Part Number	Description
AIM-OFD0-0170	AIM 8 advanced office docking station (full I/O configuration)
AIM-OFD0-0171	AIM 8 office docking station (USB)
AIM-VSD0-0170	AIM 8 advanced VESA docking station (Full I/O configuration)
AIM-VSD0-0171	AIM 8 VESA docking station with USB (USB)
AIM-STD0-0000	AIM 8 VESA stand

## Optional Accessories

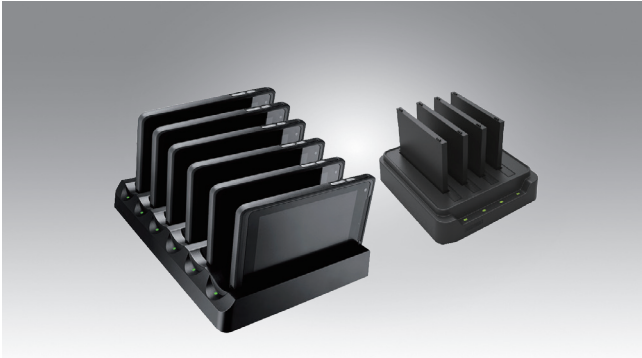
96PSA-A65W19V1-3	ADP A/D 100-240V 65W 19V C6 DC PLUG 180° 62368
1700001524	Power cord (USA) UL 3P 10A 125V 183 cm
17000008921	Power cord (Japan) PSE 3P 7A 125V 183 cm
1700019146	Power cord (China) CCC 3P 10A 250V 183 cm
1700018553	Power cord (NZ/AU) SAA 3P 10A 250V 183 cm
170203180A	Power cord (UK) BSI 3P 10A 250V 183 cm
170203183C	Power cord (EU) 3P 2.5A 250V 183 cm

## Packing List

Item	AIM-OFD0-0170	AIM-OFD0-0171
1	1 x Office dock (full I/O configuration)	1 x Office dock (USB)
2	1 x AC/DC adaptor	1 x AC/DC adaptor
Item	AIM-VSD0-0170	AIM-VSD0-0171
1	1 x VESA dock (full I/O configuration)	1 x VESA dock (USB)
2	1 x AC/DC adaptor	1 x AC/DC adaptor

Note: This product does not include a power cable. Please order a power cable using the part number according to your usage requirements.

# AIM Multi-Bay Charging Station



## Features

- Can charge up to 6 tablets/4 batteries simultaneously
- Overcurrent and overvoltage protection provided
- Rapid single-handed docking and undocking
- LED indicators for monitoring charging status



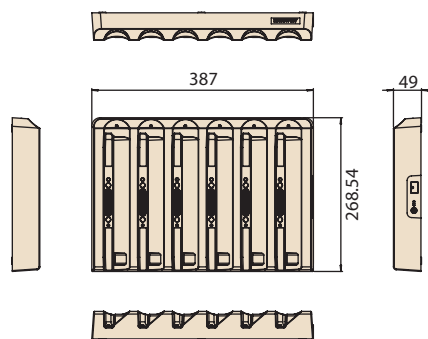
## Specifications

		Multi-Tablet Charging Station	Multi-Battery Charging Station
Capacity	Number of Bays	6	4
	Charging Current	2A	2.5A
Power	Charging Voltage	9 V	4.35 V
	Input Voltage	19 V	19 V
LED Indicators		Green: Full	Green: Full
		Amber: Charging	Amber: Charging
		Red: Error	Red: Error
Mechanical	Dimensions (W x D x H)	387 x 269 x 49 mm/15.23 x 10.59 x 1.92 in	144 x 155 x 39 mm/5.66 x 6.10 x 1.53 in
	Weight	1.98 kg/4.36 lb	0.48 kg/1.05 lb
Environmental	Operating Temperature	0 ~ 40 °C/32 ~ 104 °F	0 ~ 40 °C/32 ~ 104 °F
	Storage Temperature	-10 ~ 50 °C/14 ~ 122 °F	-10 ~ 50 °C/14 ~ 122 °F
	Safety	UL, CB, LVD, CCC, RCM	UL, CB, LVD, CCC, RCM
	Certifications	CE, FCC, CCC, RCM, BSMI	CE, FCC, CCC, RCM, BSMI

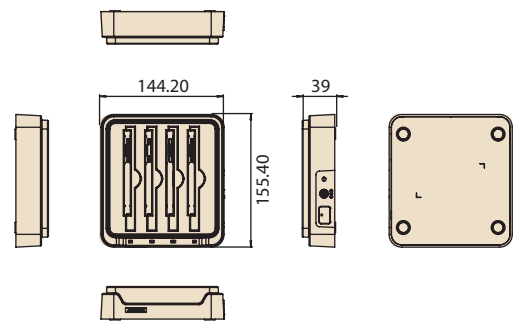
## Dimensions

Unit: mm

### Multi-Tablet Charging Station



### Multi-Battery Charging Station



## Ordering Information

Part Number	Description
AIM-CHGO-0150	Multi-tablet charging station for AIM
AIM-MBCO-0051	Multi-battery charging station for AIM

## Packing List

Item	AIM-MBCO-0051
1	1 x Multi-battery charging station
2	1 x AC/DC adaptor

Note: This product does not include a power cable. Please order a power cable using the part number according to your usage requirements.

## Optional Adapter

Model	Adapter Part Number	Description
AIM-CHGO-0150	XAIM-GST120A20-P1M	ADP A/D 100-240V 120W 20V DC Plug
AIM-MBCO-0051	96PSA-A65W19V1-3	ADP A/D 100-240V 65W 19V DC C6 PLUG 180° 62368

## AIM-CHGO-0150 Optional Power Cable

PN	Description
1702002600-01	Power Cord (US) UL 3P 10A 125V 183cm
1700000237-01	Power Cord (Japan) PSE 3P 12A 125V 183cm
1700009652	Power Cord (China) CCC 3P 10A 250V 187cm
1702031836	Power Cord (NZ/AU)SAA 3P 10A 250V 183cm
1700018704	Power Cord (UK)BSI 3P 10A 250V 180cm
1702002605-01	Power Cord (EU) 3P 10A 250V 183cm

## AIM-MCBO-0051 Optional Power Cable

Part Number	Description
1700001524	Power cord (USA) UL 3P 10A 125V 183 cm
1700008921	Power cord (Japan) PSE 3P 7A 125V 183 cm
1700019146	Power cord (China) CCC 3P 10A 250V 183 cm
1700018553	Power cord (NZ/AU) SAA 3P 10A 250V 183 cm
170203180A	Power cord (UK) BSI 3P 10A 250V 183 cm
170203183C	Power cord (EU) 3P 2.5A 250V 183 cm

# Peripherals and Accessories

## Extension Modules

**Barcode scanner (20°)**



**Barcode scanner (70°)**



**MSR + barcode scanner module**



**MSR module**



Part Number	AIM-EXT0-0040	AIM-EXT0-0041	AIM-P521A0	AIM-P521B0
<b>Features</b>	<ul style="list-style-type: none"> <li>▪ Sensor: 640 x 480 CMOS sensor</li> <li>▪ Illumination/Aimer: white LED illumination/red LED dot aimer</li> <li>▪ Frame rate: 30 fps</li> <li>▪ Field of view: horizontal: 37.8°; vertical: 28.8°</li> </ul>	<ul style="list-style-type: none"> <li>▪ Sensor: 640 x 480 CMOS sensor</li> <li>▪ Illumination/Aimer: white LED illumination/red LED dot aimer</li> <li>▪ Frame rate: 30 fps</li> <li>▪ Field of view: horizontal: 37.8°; vertical: 28.8°</li> </ul>	<p><b>MSR</b></p> <ul style="list-style-type: none"> <li>▪ Swipe Speed: 3 ~ 75 in/sec</li> <li>▪ Supported Format: ISO 7811/ JIS II bi-directional swipe</li> </ul> <p><b>Barcode Scanner</b></p> <ul style="list-style-type: none"> <li>▪ Sensor: 640 x 480 CMOS sensor</li> <li>▪ Illumination/Aimer: white LED illumination/red LED dot aimer</li> <li>▪ Frame rate: 30 fps</li> <li>▪ Field of view: horizontal: 37.8°; vertical: 28.8°</li> </ul>	<ul style="list-style-type: none"> <li>▪ Swipe Speed: 3 ~ 75 in/sec</li> <li>▪ Supported Format: ISO 7811/ JIS II bi-directional swipe</li> </ul>
<b>Dimensions</b>	130.2 x 38.7 x 27.8 mm/ 5.12 x 1.52 x 1.09 in	130.2 x 38.7 x 32 mm/ 5.12 x 1.52 x 1.25 in	130.2 x 68.84 x 80 mm/ 5.12 x 2.71 x 3.15 in	130.2 x 68.84 x 80 mm/ 5.12 x 2.71 x 3.15 in
<b>Weight</b>	0.042 kg/0.092 lb	0.042 kg/0.092 lb	100 g/0.22 lb	82 g/0.18 lb

**LAN + COM module**



**LAN RJ-45 module**



Part Number	AIM-EXT0-0046	AIM-P531A0
<b>Features</b>	1 x 10/100 Ethernet port 1 x COM port	1 x 10/100 Ethernet port
<b>Dimensions</b>	130.2 x 70 x 29 mm/5.12 x 2.75 x 1.14 in	130 x 38.7 x 31 mm/5.12 x 1.52 x 1.22 in
<b>Weight</b>	0.078 kg/0.171 lb	0.044 kg / 0.097 lb

## Basic Docking Station

### Simple charger



<b>Part Number</b>	<b>AIM-P508A0</b>
<b>Features</b>	1 x Micro USB charging port Micro USB 18W adapter/power cord are optional, Adapter PN: XAIM-A16-018N1A Power cord PN: refer to page 2 1 x USB 2.0
<b>Dimensions</b>	180 x 140 x 120 mm/7.08 x 5.51 x 4.72 in
<b>Weight</b>	450 g/0.99 lb

## Accessories

### Hand strap



Stylus holder

### Shoulder strap



### 360° rotatable hand strap



### AIM8" rugged case



Part Number	AIM-SRPO-0000	AIM-SRPO-0001	AIM-SRPO-0004	AIM-SRPO-0005
<b>Features</b>	1 x Black strap 1 x Stylus holder	1 x Black strap 1 x Stylus holder	1 x Black strap that supports 360° rotation	1 x Black rugged case Enhance drop tolerance to 1.8M
<b>Dimensions</b>	240 x 20 mm/ 9.44 x 0.78 in	380 x 135 x 20 mm/ 14.96 x 5.31 x 0.78 in	160 x 160 mm/ 6.3 x 6.3 in	244.08 x 149.2 x 20.59mm / 9.6 x 5.87 x 0.81 in
<b>Weight</b>	0.022 kg/0.048 lb	0.05 kg/0.11 lb	158 g/0.35 lb	57g /0.125 lb

### Battery with meter



### Active stylus



### AIM8 AG+AR screen protection film



### Holster



Part Number	AIM-BAT0-0252	AIM-P705	AIM-EXT0-0181	AIM-HOLO-0160
<b>Features</b>	1 x Black battery	1 x Silver stylus pen	Surface Hardness: 2 ~ 3H Reflection Rate: 0.15% Haze: 15%	1 x Black holster
<b>Dimensions</b>	98 x 84.5 x 6.5 mm/ 3.85 x 3.32 x 0.25 in	140 x 9.7 mm/ 5.51 x 0.38 in	212 x 128 x 0.15 mm/ 8.35 x 5.04 x 0.006 in	250 x 150 x 30 mm/ 9.84 x 5.9 x 1.18 in
<b>Weight</b>	0.104 kg/0.229 lb	0.02 kg/0.044 lb	0.009 kg/0.02 lb	0.23 kg/0.5 lb