

AIM-78H

10.1" Medical Grade Tablet with Qualcomm® Snapdragon™ 660



DeviceOn QUALCOMM

Features

- Equipped with DeviceOn/iService software for remote device management
- Qualcomm SDA660 with Android 13
- 10.1" Full-HD capacitive touch screen designed with scratch-resistant Corning® Gorilla® Glass
- Supports glove mode and stylus with palm detection to expand usability
- Integrated barcode scanner supports data collection
- Fast roaming and dual band WLAN , BT 5.0, NFC, connectivity for seamless communications
- Optional extension include 1D/2D barcode scanner

Introduction

The Medical Tablet AIM-78H is Android-based tablet computer designed for healthcare applications; features the slim enclosure with antimicrobial property and the integration of a brilliant 10.1" capacitive touch screen supporting both glove and stylus mode for multi-usability in healthcare environment. With the built-in high resolution camera and stable wireless communication , the AIM-78H is a Telehealth-Capable device acting as an effective tool to monitor, record and retrieve patient information while inward and outdoor healthcare service.

Moreover, AIM-78H is equipped with Advantech's DeviceOn/iService software, which is a next-generation unified device management solution based on the WISE-DeviceOn platform. With support for batch operations and multi-device control, DeviceOn/iService enables easy device configuration and deployment for convenient remote device management.

Specifications

System	Processor	Qualcomm SDA660 /SDM660 (up to 2.2GHz)
	Memory	4 GB LPDDR4x
	OS	Android 13
Storage	eMMC	64 GB
	Micro-SD	Support (up to 2TB)
Display	Type	10.1" FHD LCD
	Resolution	WUXGA 1920 x 1200
	Brightness	380 cd/m ²
	Touch Type	10-point multi-touch P-CAP touch control
	Glass Type	Corning® Gorilla® Glass 3
Communication	WLAN	IEEE 802.11 a/b/g/n/ac/k/v/r
	Bluetooth	Bluetooth® v5.0 + BLE
	NFC	13.56 MHz, compatible with ISO15693, ISO14443A, ISO 14443B, FeliCa
Connectivity	Standard I/O	1 x USB3.1 Type C supporting data transmission only*, 1x USB 2.0 Type A, 1x Combo audio jack, 1 x 19 VDC-in jack, 1 x SIM card reader, 1 x micro SD card
	Extended I/O	1 x AIM extension 14-pin pogo connector: 1 x USB 2.0, 1 x 2-wire UART, 5V/1A power
	Docking	1 x AIM docking 16-pin pogo connector: 1 x USB 3.0, 12V power
	Speaker	2 x Internal speakers (2 W)
Audio	Audio Jack	1 x Audio combo jack (combines stereo audio output and mono microphone input)
Camera	Front	8.0-megapixel fixed-focus camera
	Rear	13.0-megapixel auto-focus camera with LED flash
Sensors		Ambient Light Sensor, e-Compass, G-sensor, Gyroscope
Barcode Scanner(Optional)		Integrated 1D/2D barcode scanner (optional)
Control Buttons		1 x Power button, 2 x volume keys (up/down), 1 x programmable function key
System Indicator		Full: green (100%); Charging: blue; Low: red (≤10%)
Power System	Input Voltage	DC jack: 19V/3.43A Docking pogo: 12V/2A
	Battery	Smart battery with capacity LED indicators; 10.8V, 2400 mAh, 26 WHr Operating time: Approximately 6 hr (depending on usage scenario) Charging time: < 3 hr

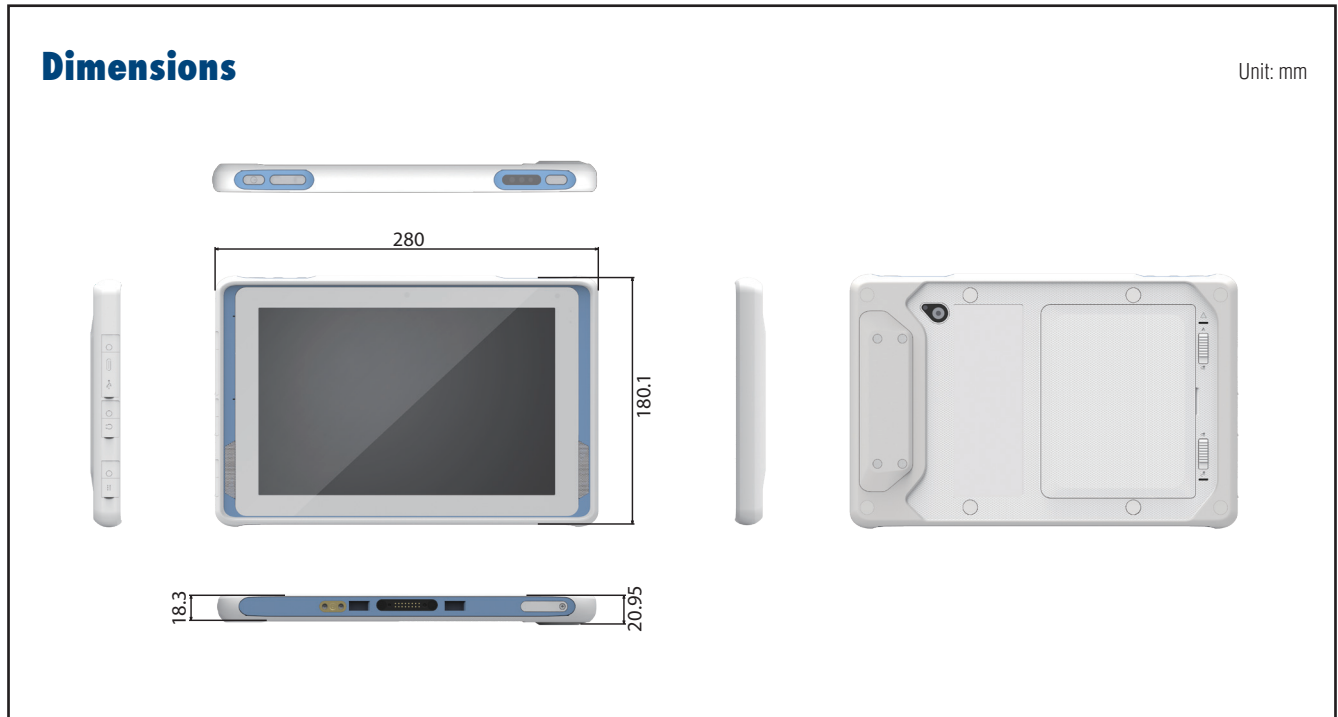
Specifications (Cont.)

Environment	Operating Temperature	0 ~ 40 °C (32 ~ 104 °F)
	Storage Temperature	-20 ~ 60 °C (-4 ~ 140°F)
	IP Rating	IP65
	Shock	Operating: 10 ~ 20 G, 11 ms; Non-operating: 50 G ,11 ms
	Vibration	Operating: (5 ~ 500 Hz) 0.5 ~ 1 G; Non-operating: (5 ~ 500 Hz) 0.04 PSD
	Humidity	Operating: 10 ~ 90% @ 40 °C non-condensing Storage: 10 ~ 95% non-condensing
	Drop Tested	Up to 120 cm (4 ft) onto plywood over concrete
Physical Characteristics	Dimension (W x D x H)	280 x 18.3 x 180.1 mm (11 x 0.7 x 7.1 in)
	Weight	980 g (2.2 lb)
	Color	White Blue
Certifications	IEC/UL/EN 60601-1, FCC/IC, CE, NCC/BSMI, TELEC/VCCI, RCM, CCC/SRRC	
DeviceOn/Service Remote Device Management	Operating System	Android 13
	Common Controls (Reboot, Shutdown)	V
	Device-Specific Controls (Audio, Backlight)	V
	Connection Status	V
	Hardware Status	V*
	Batch Operation Support	V
	OTA Storage Management	Local blob
	APP OTA Updates	V
	Software Watchlist	V
	Software Start/Stop	V
	Peripherals Watchlist	V*

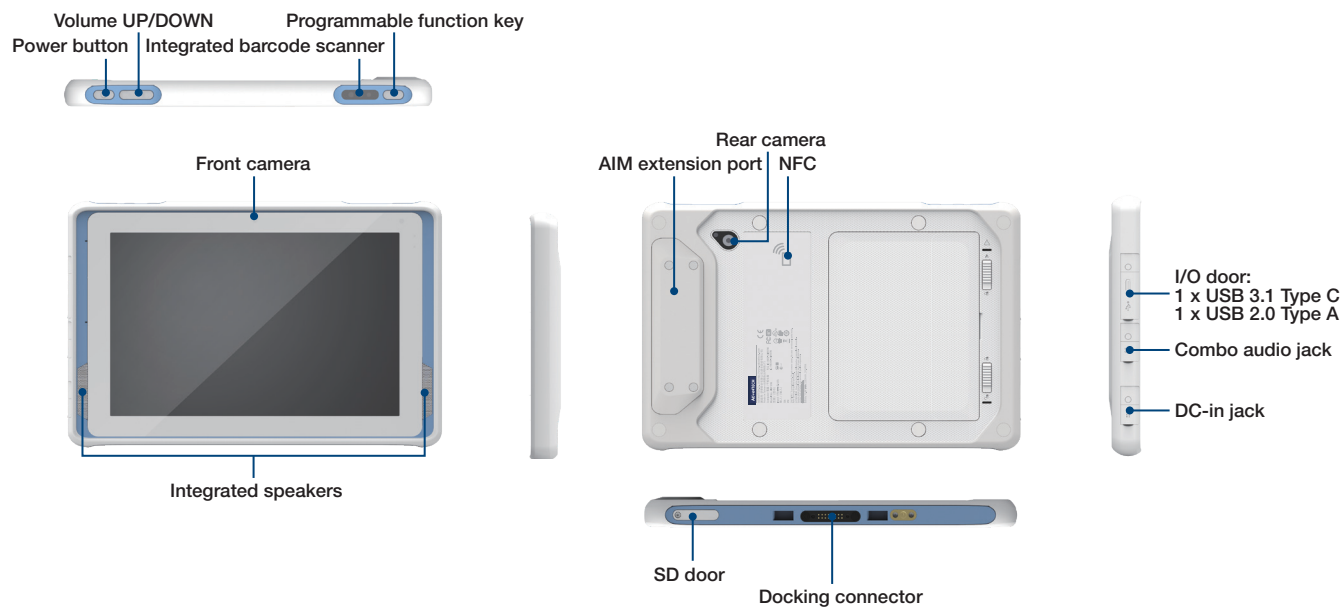
** Dependant on device model

* USB 3.0 Type-C will be disabled while the AIM-78H is in the docking mode

** DeviceOn/Service software must be downloaded from the Advantech website at <https://www.advantech.com/search?q=DeviceOn%2FService&st=support&sst=Utility>



Front/Rear/Side I/O View



Ordering Information

Part Number	Memory/Storage	Front/Rear Camera	Wi-Fi/BT	Built In Barcode	NFC	Android Version	Non-GMS
AIM-78H-230S00	4GB/64GB	✓	✓		✓	Android 13	✓
AIM-78H-230B00	4GB/64GB	✓	✓	✓	✓	Android 13	✓
AIM-78H-200S00	4GB/64GB	✓	✓		✓	Android 10	✓
AIM-78H-200B00	4GB/64GB	✓	✓	✓	✓	Android 10	✓

Optional Accessories

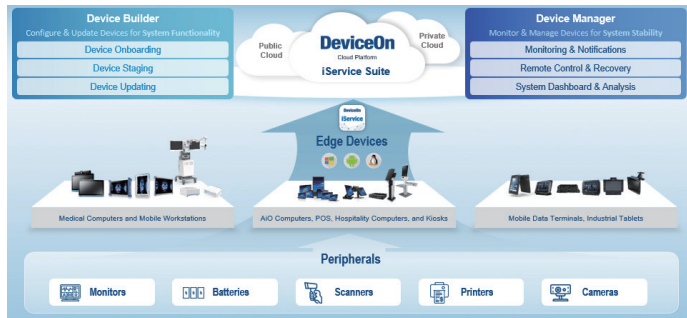
Part Number	Description
XAIM-FSP065-DBC01	Adapter A/D 100-240V 65W 19V C8 DC JACK MEDICAL
1700029083-11	Power cable, UL, 2P, 7A, 125V, 112 cm (US)
1700001949	Power Cord(UK) BSI 2P 2.5A 250V 183cm
1700029278-01	Power Cord (Japan) PSE 2P 7A 125V 183cm
1700029279-01	Power Cord (NZ/AU) SAA 2P 2.5A 250V 183 cm
1700008972	Power cord (China)CCC 2P 2.5A 250 V 183 cm
1700001948-11	Power cord (EU) EU 2P 2.5A 250 V 183 cm
1700021662-01	Power Cord (TW) BSMI 2P 2.5A 125V 183cm

Note: Adapter and power cord are suitable for AIM-78 VESA and office dock.

Packing List

Description
1 x AIM-78H
1 x AC/DC adapter
1 x 2-pin power cable (US)

DeviceOn - iService Suite



Introduction

Advantech's DeviceOn - iService Suite is an advanced remote device management solution that enables you to centrally manage your devices, minimizing the need for expensive on-site visits and saving your valuable time and resources. Device Builder ensures that your devices are always up-to-date with the latest configuration and software updates, reducing the risk of data breaches and other security threats. Meanwhile, Device Manager helps to ensure that your devices are functioning correctly, reducing downtime and enhancing productivity.

Key Functions

Device Builder



Device Onboarding

- Support Windows, Linux, Android devices
- Quick enrollment process



Device Staging

- OS configuration
- Software/peripheral watchlist
- Device label, alarm rules



Device Updating

- Cloud software storage
- Installation package for multiple software updating

Device Manager



Monitoring & Notifications

- Connection/hardware status
- Software/peripheral status
- Failure notifications



Remote Control & Recovery

- Reboot & power controls
- Audio & backlight settings
- Screenshots & remote desktop



System Dashboard

- Devices working status
- Software version sync status
- Results of scheduled tasks

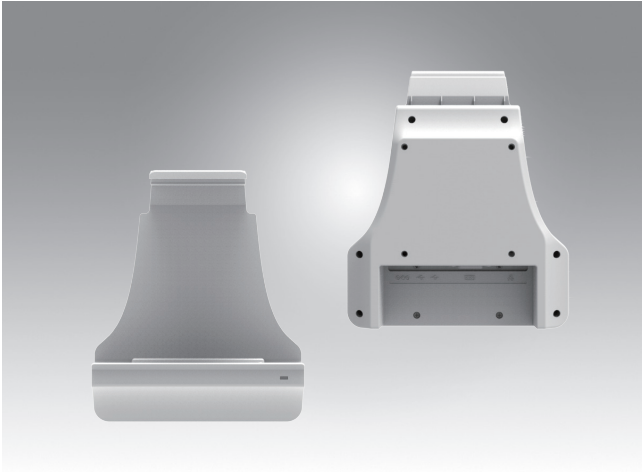
Services & Specifications

Functions List	OS Platform			Service Type	
	Windows	Android	Linux (Ubuntu)	Builder	Manager
	10, 11	13	TBD		
Device Onboarding - Enrollment, Locations and Labels	✓	✓		✓	✓
Profile – OS Settings (KIOSK Mode, ON/Off Schedule, others are OS dependent)	✓ (LTSC)	✓		✓	✓
Profile – Alarm Rules, Software Monitoring, Peripheral Monitoring	✓	✓			✓
OTA Update – Installation Packs, Software Cloud Storage	✓	✓		✓	✓
Monitoring – Device Hardware (CPU/RAM/Storage/Battery)	✓	✓			✓
Monitoring – Advanced Battery Management	✓ (Dependant on device model)				✓
Monitoring – Device Software (Running Status/CPU & Memory Usage)	✓	✓			✓
Monitoring – Peripherals & Display (Connect Status)	✓				✓
Control – Audio volume & Backlight	✓	✓			✓
Control – Screenshot, Reboot, Shutdown	✓	✓			✓
Control – Schedule Tasks	✓	✓			✓
Control – Remote Desktop	VNC				✓

Ordering Information

Ordering P/N	Cloud Type	Description
36CSDOISSASP01	SaaS subscription	DeviceOn - iService Suite device annual fee (365 days)
36CSDOISPSRP01	On-premise server	DeviceOn - iService Suite device license (perpetual)
36CSDOISPSRP02	On-premise server	Software and installation fee for new server deployment
36CSDOISPSRP03	On-premise server	Annual maintenance fee after warranty

AIM-78H VESA Docking Station



Features

- 9 ~ 32 V wide input voltage range
- VESA (75 x 75 mm)-compliant docking stations
- -10 ~ 50 °C (14 ~122 °F) operating temperature
- Reliable docking connector for office applications

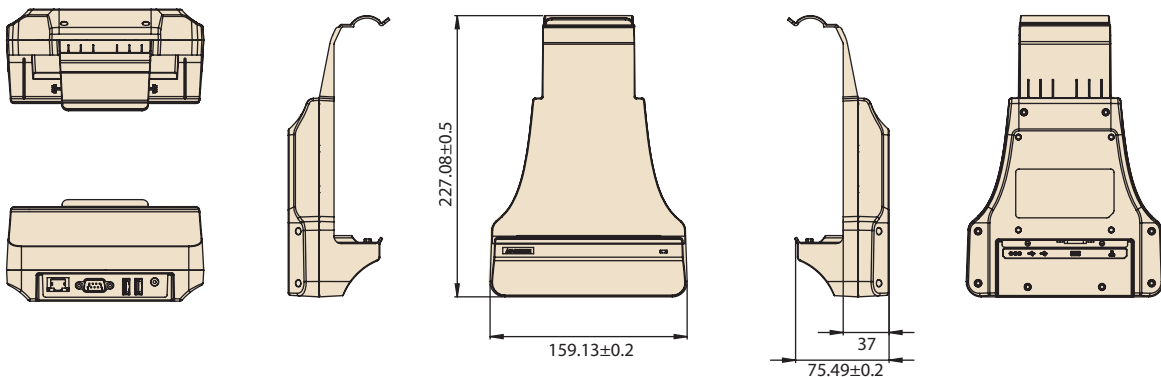
CE FCC

Specifications

		Advanced VESA Docking Station	VESA Docking Station with USB
I/O		2 x USB 3.0 1 x RS-232 COM 1 x Gigabit LAN 1 x Power jack	2 x USB 2.0 1 x Power jack
Stand		N/A	N/A
Power	Input Voltage	9 ~ 32 V	19 V
Mechanical	Dimensions (W x D x H)	159.13 x 75.49 x 227 mm (6.3 x 2.9 x 8.9 in)	159.13 x 75.49 x 227 mm (6.3 x 2.9 x 8.9 in)
	Weight	0.33 kg (0.72 lb)	0.32 kg (0.71 lb)
Environment	Operating Temperature	-10 ~ 50 °C (14 ~122 °F); 0 ~ 40 °C (32 ~104 °F) for charging	-10 ~ 50 °C (14 ~122 °F); 0 ~ 40 °C (32 ~104 °F) for charging
	Storage Temperature	-20 ~ 70 °C (-4 ~ 158 °F)	-20 ~ 70 °C (-4 ~ 158 °F)
	Safety	UL, CB, LVD, CCC	UL, CB, LVD, CCC
	Certifications	CE, FCC, CCC	CE, FCC, CCC

Dimensions

Unit: mm



Ordering Information

Part Number	Description
AIM-VSD0-1001	AIM 10 advanced VESA docking station
AIM-VSD0-1003	AIM 10 VESA docking station with USB

Optional Accessories

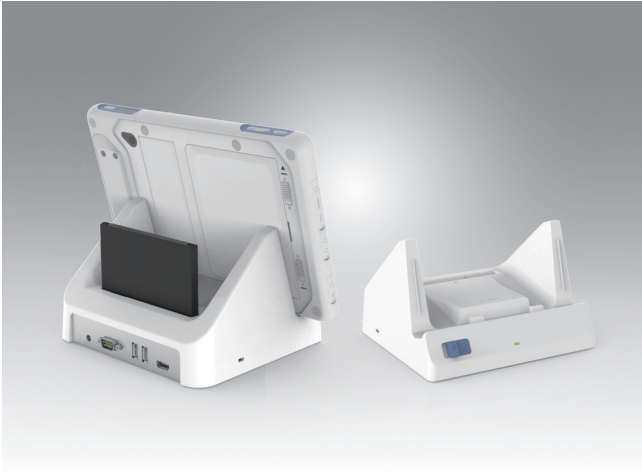
Part Number	Description
XAIM-FSP065-DBCMI1	Adapter A/D 100-240V 65W 19V C8 DC JACK MEDICAL
1700029083-11	Power cable, UL, 2P, 7A, 125V, 112 cm (US)
1700001949	Power Cord(UK) BSI 2P 2.5A 250V 183cm
1700029278-01	Power Cord (Japan) PSE 2P 7A 125V 183cm
1700029279-01	Power Cord (NZ/AU) SAA 2P 2.5A 250V 183 cm
1700008972	Power cord (China)CCC 2P 2.5A 250 V 183 cm
1700001948-11	Power cord (EU) EU 2P 2.5A 250 V 183 cm
1700021662-01	Power Cord (TW) BSMI 2P 2.5A 125V 183cm

Packing List

Item	AIM-VSD0-1001	AIM-VSD0-1003
1	1 x VESA Dock(Advanced I/O)	1 x Vehicle Dock (Charging & USB Only)

Note: The packing list doesn't include adapter and power cord. Please order based on following PNs.

AIM-78H Desk Docking Station



Features

- 10 ~ 50 °C (14 ~122 °F) operating temperature
- Reliable docking connector for office applications

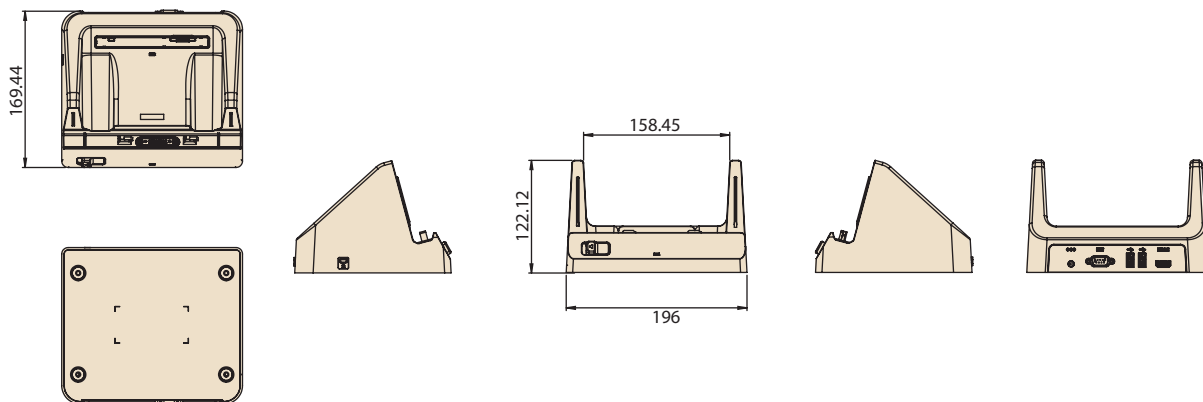
CE FCC CCC

Specifications

		Advanced Desk Docking Station	Desk Docking Station with USB
I/O		2 x USB 2.0 1 x RS-232 COM 1 x Power jack 1 x HDMI 1 x Battery charging bay	2 x USB 2.0 1 x Power jack
	Power	Input Voltage 19 V	19 V
Mechanical	Dimensions (W x D x H)	196 x 169.44 x 122.12 mm (7.72 x 6.67 x 4.81 in)	196 x 169.44 x 122.12 mm (7.72 x 6.67 x 4.81 in)
	Weight	0.76 kg (1.68 lb)	0.75 kg (1.65 lb)
Environment	Operating Temperature	-10 ~ 50 °C (14 ~122 °F); 0 ~ 40 °C (32 ~104 °F) for charging	-10 ~ 50 °C (14 ~122 °F); 0 ~ 40 °C (32 ~104 °F) for charging
	Storage Temperature	-20 ~ 70 °C (-4 ~ 158 °F)	-20 ~ 70 °C (-4 ~ 158 °F)
	Safety	CE, FCC, CCC	UL, CB, LVD, CCC
	Certifications	UL, CB, LVD, CCC	CE, FCC, CCC

Dimensions

Unit: mm



Ordering Information

Part Number	Description
AIM-OFD0-0001	AIM 10 advanced desk dock station
AIM-OFD0-0003	AIM 10 desk dock station with USB

Packing List

Item	AIM-OFD0-0001	AIM-OFD0-0003
1	1 x Office Dock(Advanced I/O)	1 x Office Dock (Charging & USB Only)

Note: The packing list doesn't include adapter and power cord. Please order based on following PNs.

Optional Accessories

Part Number	Description
XAIM-FSP065-DBC01	Adapter A/D 100-240V 65W 19V C8 DC JACK MEDICAL
1700029083-11	Power cable, UL, 2P, 7A, 125V, 112 cm (US)
1700001949	Power Cord(UK) BSI 2P 2.5A 250V 183cm
1700029278-01	Power Cord (Japan) PSE 2P 7A 125V 183cm
1700029279-01	Power Cord (NZ/AU) SAA 2P 2.5A 250V 183 cm
1700008972	Power cord (China)CCC 2P 2.5A 250 V 183 cm
1700001948-11	Power cord (EU) EU 2P 2.5A 250 V 183 cm
1700021662-01	Power Cord (TW) BSMI 2P 2.5A 125V 183cm

AIM-78H Vehicle Docking Station



Features

- Compatible with 9 ~ 32 V_{DC} in-vehicle power supply
- Easy and instant single-handed docking and undocking
- Anti-theft locking mechanism
- External GPS antenna
- Programmable function keys
- High-density connectors
- Compliant with SAE J1455 for vibration and shock tolerance
- Safe and reliable design for vehicle applications

CE FCC CCC

Specifications

		Fully Configured Unit	Charging Dock Only
I/O	High-Density Connector	1 x CAN bus (supports raw CAN, J1939, OBD-II/ISO 15765) with configurable firmware 5 x Digital inputs 1 x Odometer (supports dry and wet contact) with configurable and switchable firmware (default wet contact) 2 x Digital outputs (supports speed pulse) 1 x RS-232 (4 wire) 1 x RS-232/485 (2 wire) (default RS-485, termination enabled) 1 x USB 2.0 1 x Power input 12 V 1 A	1 x Power input 12 V 1 A
GPS	GPS Extended	1 x External GPS antenna	N/A
Function Keys		5 x Programmable function keys	N/A
Key Lock		Anti-theft key lock (key can be removed)	N/A
Power	Input Voltage	Supports 12/24 V vehicle power (9 ~ 32 V _{DC} input range)	
Mechanical	Dimensions (W x D x H)	226 x 83.08 x 250.24 mm (8.9 x 3.27 x 9.9 in)	
	Weight	0.77 kg (1.70 lb)	
Environment	Operating Temperature	-10 ~ 50 °C (14 ~ 122 °F); 0 ~ 40 °C (32 ~ 104 °F) for charging	
	Storage Temperature	-30 ~ 80 °C (-22 ~ 176 °F)	
	IP Rating	IP54	
	Vibration/Shock	SAE J1455	
	Safety	UL, CB, LVD, CCC	
	Vehicle Power Regulation	E-Mark, ISO7637-2	
	Certifications	CE, FCC, CCC	

Ordering Information

Part Number	Description
AIM-VED0-0422	AIM vehicle docking station (full configuration)
AIM-VED0-0423	AIM vehicle docking station (charging only)
1700026766-01	High-density cable
PWS-770-GPSAN00E	External GPS antenna
1700027666-01	Vehicle power cable (In-house engineer testing only)
1700027665-01	Vehicle power cable (vehicle battery)

Packing List

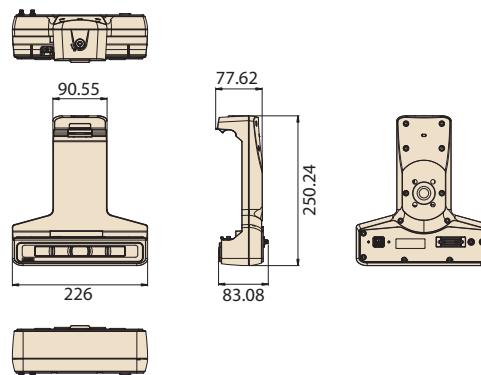
Item	AIM-VED0-0422	AIM-VED0-0423
1	1 x Vehicle Dock(Fully I/O)	1 x Vehicle Dock (Charging Only)
2	1 x Vehicle power cable (vehicle battery)	1 x Vehicle power cable (vehicle battery)

Optional Accessory

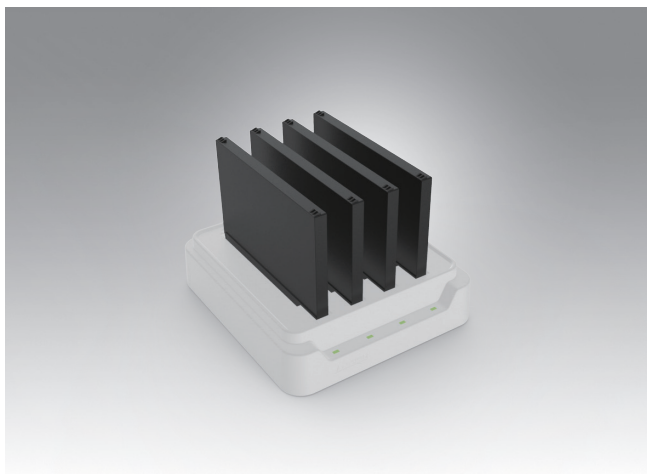
Part Number	Description
RAM-MOUNT-07E	AMPS mount w/VESA base, 1.5" ball

Dimensions

Unit: mm



AIM Multi-Battery Charging Station



Features

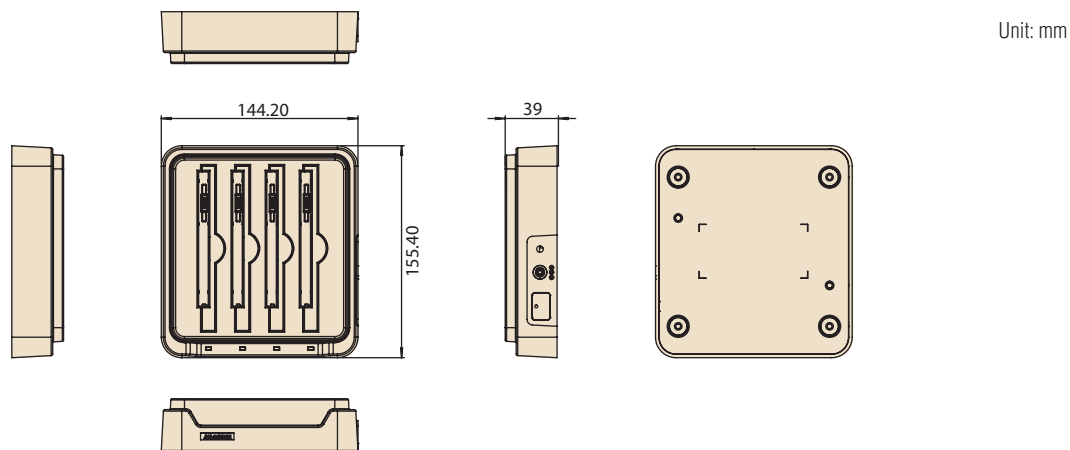
- Supports charging of up to 4 batteries simultaneously
- Overcurrent and overvoltage protection provided
- LED indicators for monitoring charging status



Specifications

		Multi-Battery Charging Station for AIM
Capacity	Number of Bays	4
	Charging Current	1 A
Power	Charging Voltage	12.6 V
	Input Voltage	19 V
LED Indicators		Green: Full Amber: Charging Red: Error
Mechanical	Dimensions (W x D x H)	144 x 155 x 39 mm (5.7 x 6.1 x 1.5 in)
	Weight	0.48 kg (1.05 lb)
Environment	Operating Temperature	0 ~ 40 °C (32 ~ 104 °F)
	Storage Temperature	-10 ~ 50 °C (14 ~ 122 °F)
	Safety Certifications	UL, CB, LVD, CCC, RCM CE, FCC, CCC, RCM, BSMI

Dimensions



Ordering Information

Part Number	Description
AIM-MBCS-0001	Multi-battery charging station for AIM

Packing List

Item	AIM-MBCS-0001
1	1 x Multi Battery Charger
2	1 x AC/DC adaptor

Note: The packing list doesn't include power cord. Please order based on following PNs.

Optional Accessories

Part Number	Description
96PSA-A65W19V1-3	ADP A/D 100-240V 65W 19V C6 DC PLUG 180° 62368
1700001524	Power cord (USA) UL 3P 10A 125V 183 cm
1700008921	Power cord (Japan) PSE 3P 7A 125V 183 cm
1700019146	Power cord (China) CCC 3P 10A 250V 183 cm
1700018553	Power cord (NZ/AU) SAA 3P 10A 250V 183 cm
170203180A	Power cord (UK) BSI 3P 10A 250V 183 cm
170203183C	Power cord (EU) 3P 2.5A 250V 183 cm

AIM-78H Extensions and Accessories

Extension Modules

Barcode Scanner (20°)



Barcode Scanner (70°)



Part Number	AIM-BCRS-0020	AIM-BCRS-0070
Features	<ul style="list-style-type: none"> ▪ Sensor: 640 x 480 CMOS sensor ▪ Illumination & Aiming: White LED illuminatoin/Red LED dot aimer ▪ Frame rate: 30 fps ▪ Field of view: Horizontal: 37.8°; Vertical: 28.8° 	<ul style="list-style-type: none"> ▪ Sensor: 640 x 480 CMOS sensor ▪ Illumination & Aiming: White LED illuminatoin/Red LED dot aimer ▪ Frame rate: 30 fps ▪ Field of view: Horizontal: 37.8°; Vertical: 28.8°
Dimensions	130.2 x 38.7 x 27.8 mm (5.12 x 1.52 x 1.09 in)	130.2 x 38.7 x 32 mm (5.12 x 1.52 x 1.25 in)
Weight	0.042 kg (0.092 lb)	0.042 kg (0.092 lb)

Accessories

Hand Strap



Shoulder Strap (Portrait)



Shoulder Strap (Landscape)



Battery with Meter



Stylus Holder

Part Number	AIM-SRP0-0000	AIM-SRP0-0001	AIM-SRP0-0002	AIM-BAT0-0452
Features	Black With one stylus holder	Black With one stylus holder	Black With one stylus holder	Black
Dimensions	240 x 20 mm (9.44 x 0.78 in)	380 x 135 x 20 mm (14.96 x 5.31 x 0.78 in)	1820 x 20 mm (71.65 x 0.78 in)	120 x 87 x 7.5 mm (4.72 x 3.43 x 0.30 in)
Weight	0.022 kg (0.048 lb)	0.05 kg (0.11 lb)	0.05 kg (0.11 lb)	0.147 kg (0.324 lb)

Active Stylus



Part Number	AIM-P704
Features	Black
Dimensions	140 x 9.7 mm (5.51 x 0.38 in)
Weight	0.02 kg (0.044 lb)