

AIM-37

10.1" Industrial Tablet-Based Mini POS System



Features

- Industrial-Grade Panel with Anti-Glare, Anti-Fingerprint LCD display
- Corning® Gorilla® Glass 3 scratch-resistant touchscreen supports glove/stylus operation with palm detection
- Built-in 2MP front camera and 5MP rear camera
- IP54-rated protection from water and dust
- Built-in NFC Reader for various services
- Optional Built-in MSR / IC card reader / 2D barcode scanner
- Expandable USB 2.0 Pogo Pin connector with variable Peripherals
- Battery supports up to 8 hours operation
- Support 75 cm native free drop protection without external protection
- Support Android 6 & Windows 10 IoT Enterprise Operating System
- Swivel charging cradle with 80mm thermal printer
- Optional USB 2.0, RJ45, COM Port, Cash drawer expansion feasibility



Introduction

AIM-37 is an industrial-grade mobile point-of-sale (mPOS) system with a built-in barcode scanner and HD Corning® Gorilla® Glass display. The system design is surprisingly thin (17 mm) with an IP54-rated front panel protection from water and dust, as well as a directly bonded touchscreen with water tolerance and palm rejection for enhanced operation. AIM-37 also supports multiple OS and optional modules configurations for flexible operations. Additionally, AIM-37 can be integrated with various peripherals and flexible installation mounts to support diverse applications.

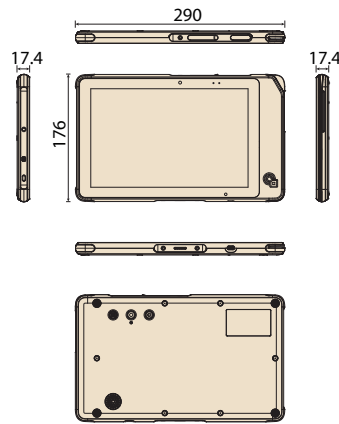
Specifications

		AIM-37AC-M	AIM-37AC-S
System	Processor	Intel® Atom™ qual-core x5-Z8350 Processor (up to .92GHz)	
	Memory	4GB DDR3L	
	OS	Windows 10 IoT Enterprise	Windows 10 IoT Enterprise, Android 6.0
Storage	eMMC	64GB	
	Micro-SD	Micro-SD Card Slot for Storage Expansion up to 128GB	
Display	Type	10.1" TFT IPS LCD Panel	
	Resolution	WXGA, 1280x800	
	Brightness	350 nits	
	Touch Type	Projected Capacitive Multi-Touch	
	Glass Type	G/G Direct Bonding, Corning GG3 Glass	
Communication	WLAN/Bluetooth	IEEE 802.11 a/b/g/n/ac	
	Bluetooth	Bluetooth® v4.2	
	NFC	13.56 MHz, compatible with ISO15693, ISO14443A, ISO 14443B, FeliCa	
Connectivity	Standard I/O	x1 Micro USB 2.0 (OTG & Charging)	
	Docking	x1 AIM Dock 6-pin Pogo Connector: USB 2.0 + Power	
Audio	Speaker	1 x Internal Speaker (2W)	
	Audio Jack	x1 80dB 1Watt SPK 0.5M, x1 Audio combo jack	
Camera	Front	2MP Fixed Focus	
	Rear	5MP Auto Focus with LED Flash	
Sensors		G-sensor + E-compass, Gyroscope, ALS	
Barcode Scanner		Integrated 1D/2D barcode scanner	Integrated 1D/2D barcode scanner (optional)
Security		Kensington security slot	
MSR		3-Track MSR with 3-DES encryption; Triple DES and AES Encryption; DUKPT key management	N/A
IC Card Reader		EMV L1/L2 Certified 5V IC Card Reader; ISO/IEC 7816-1, 2, 3, 4; T=0 & T=1; supports TDES and AES encryption algorithms	N/A
Control Buttons		x1 Power Button x1 Functional Button	x1 Power Button x1 Functional Button x2 Volume Control Button
System Indicator		x1 Power / Battery Status x1 Barcode Scanner Status	
Power System	Input Voltage	Micro USB, DC 5V, Max 3A 6-pin Pogo Connector, DC 5V, Max 3A	
	Battery	Embedded Lithium-ion battery, Soft Pack (1S2P): 3.8V 7,900mAh (30 Watt) Operating time: up to 8 hours (depending on usage scenario) Charging time: 4 hr	
Environment	Operating Temperature	-10 ~ 50 °C (14 ~ 122 °F)	
	Storage Temperature	-10 ~ 60 °C (14 ~ 140 °F)	
	IP Rating	IP54 (Except MSR / IC Card slot)	IP54
	Humidity	Operating and Storage: 5% ~ 95% (non-condensing)	
Physical Characteristics	Dimension (W x D x H)	290 x 176 x 17.4 mm	
	Weight	915g	900g
	Color	Black + Cool Gray	
Certifications		CE, FCC, CB, UL, NCC, BSMI, CCC	

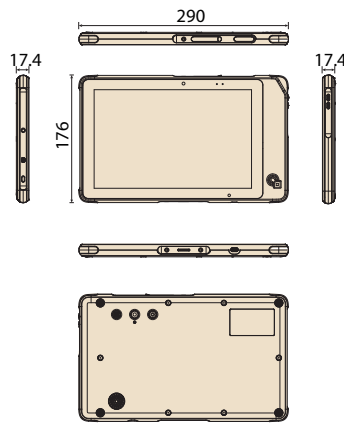
Dimensions

Unit: mm

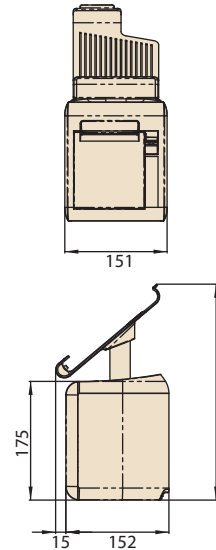
AIM-37AC-M



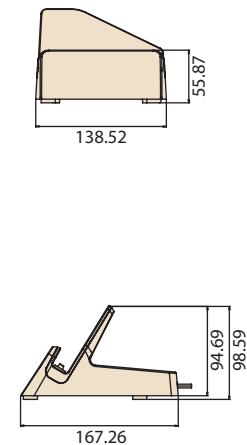
AIM-37AC-S



AIM-P701



AIM-P708



Ordering information

Part Number	CPU	Memory	Storage	NFC/BT	WIFI	F-cam	R-cam	MSR/ICC	BCR	OS	Color	Adapter Plug
AIM-37AC-M0GR0110	Intel Atom x5-Z8350	4GB	64GB	V	a/b/g/n/ac	2MP	5MP	V	V	Win10 IOT Enterprise	Gray+Black	US
AIM-37AC-S0GR0100	Intel Atom x5-Z8350	4GB	64GB	V	a/b/g/n/ac	2MP	5MP			Win10 IOT Enterprise	Gray+Black	US
AIM-37AC-S0GR0110	Intel Atom x5-Z8350	4GB	64GB	V	a/b/g/n/ac	2MP	5MP		V	Win10 IOT Enterprise	Gray+Black	US
AIM-37AC-S0GR1100	Intel Atom x5-Z8350	4GB	64GB	V	a/b/g/n/ac	2MP	5MP			Android 6.0	Gray+Black	US
AIM-37AC-S0GR1110	Intel Atom x5-Z8350	4GB	64GB	V	a/b/g/n/ac	2MP	5MP		V	Android 6.0	Gray+Black	US

Peripherals and Accessories

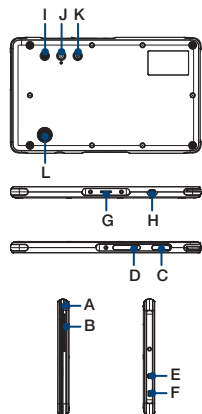
P/N	Description
AIM-P701A0	Thermal Printer Tabletop Cradle: Charging, USB 2.0 Type A x 2, COM (RJ48) x 2, RJ11 x 1, 80mm Thermal Printer, Auto cutter
AIM-P701D0	BT Thermal Printer Tabletop Cradle: Charging, BT, USB 2.0 Type A x 2, COM (RJ48) x 2, RJ11 x 1, 80mm Thermal Printer, Auto cutter
AIM-P702	Hand Strap
AIM-P703	VESA Mounting Kit
AIM-P704	Active Stylus for Touch Panel
AIM-P708A0	Simple cradle (Single I/O port: DC-in 5V/3A via micro-USB & USB2.0 Type A x1)
AIM-P708C0	Multifunctional Simple cradle (Rich I/O ports: DC-in 12V/3A, USB 2.0 Type A x2, COM Port (RS232) x1, RJ45 x1)
AIM-P707A2	Magnet Charging Jacket(Case) for AIM-37 (via 6-pin pogo pin)
AIM-P708B2	Magnet Charging Cradle for AIM-37 (via 6-pin pogo pin)
AIM-P709C0	Magnet Charging Suite (Cradle & Jacket)
1702002605	AIM-P701/P705 Power cord 2P FRANCE 10A/16A 220V 1.83M 90D
1702002600	AIM-P701/P705 Power Cord 3P UL/CSA(USA) 125V 10A 1.83M 180D
1700000596	AIM-P701/P705 Power Cord (China) CCC,10A 250V, 3P 1830mm
1700018704	AIM-P701/P705 Power Cord UK BSI 2P 10A 250V 180cm 18AWG
1700022938-01	AIM-P701/P705 Power cord KC 10A 250V 3P 3m DAC-ST01

Cradle Specifications

Model Name	AIM-P701A0	AIM-P701D0	AIM-P708A0	AIM-P708C0	
Supported OS	Windows 10 IoT Enterprise Android 6.0				
Swivel	180° rotational		N/A	N/A	
Pogo Pin	USB 2.0 & 5V/2A Charger				
Thermal Printer	Interface	USB 2.0	BT3.0+EDR+USB2.0		
	Paper width	80mm/58mm			
	Paper roll	70mm diameter			
	Printing speed	200mm / s		N/A	N/A
	Paper cutter	Auto Cut			
	Buttons	Open Door; Feed Paper			
	LEDs	Power indicator; error indicator			
I/O Port	1 x DC IN 2 x USB 2.0 Type A 2 x COM Port (RJ48) 1 x Cash Drawer (RJ11)	1 x DC IN 2 x USB 2.0 Type A 2 x COM Port (RJ48) 1 x Cash Drawer (RJ11)	1 x DC IN (micro USB type with 5V/3A input) 1 x USB 2.0 Type A	1 x DC IN (DC Jack with 12V/3A input) 2 x USB 2.0 Type A 1 x COM Port (RS232) + 1 x RJ45	
Dimensions	151 x 152 x 318 mm		138.52 x 167.26 x 98.59 mm		
Environment	Operating Temperature	0 ~ 40° C			
	Storage Temperature	-10 ~ +60° C			
	Operating Humidity	5% ~ 95%, non-condensing			

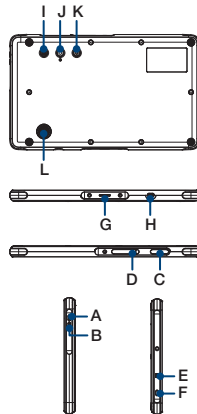
Fully-Integrated I/O

AIM-37AC-M



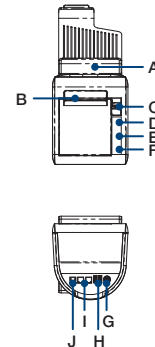
- A: MSR (Magnetic Swipe Card Reader)
- B: IC Card Reader
- C: 2D Barcode Scanner
- D: Micro SD Slot
- E: 3.5mm Audio Combo Jack
- F: Kensington Lock Slot
- G: Pogo Pin (DC-in and USB 2.0)
- H: Micro USB (2.0)
- I: Scanner Trigger
- J: 5MP Camera with LED Flash
- K: Power bottom
- L: Speaker

AIM-37AC-S



- A: Volume Up
- B: Volume Down
- C: Unused
- D: Micro SD Slot
- E: 3.5mm Audio Combo Jack
- F: Kensington Lock Slot
- G: Pogo Pin (DC-in and USB 2.0)
- H: Micro USB (2.0)
- I: Functional Button
- J: 5MP Camera with LED Flash
- K: Power bottom
- L: Speaker

AIM-P701



- A: Tablet Holder
- B: Auto Cutter
- C: Open Door
- D: Power Indicator
- E: Error Indicator
- F: Out of paper Indicator
- G: DC Jack
- H: USB Type A
- I: COM Port (RJ48)
- J: Cash Drawer (RJ11)

AIM-37 Peripherals and Accessories

Thermal Printer



Hand Strap



VESA Mounting



Part Number	AIM-P701A0 / AIM-P701D0	AIM-P702	AIM-P703
Color	Gray	Black	Black
Dimensions	152 x 151 x 318 mm (5.98 x 5.94 x 12.52 in)	180 x 285 mm (7.08 x 11.22 in)	265.3 x 209.2 x 30.9 mm (10.44 x 8.24 x 1.22 in)
Weight	2250g (4.96lb)	165g (0.36lb)	710g (1.56lb)
Feature	<ul style="list-style-type: none"> Smart Mini POS Cradle with receipt printer Embedded WINPOS 3" thermal printer Rich I/O port (2 x USB Type A, 2 x COM Ports, 1 x Cash Drawer trigger) 	<ul style="list-style-type: none"> Synthetic leather w/ Elastic band Easily removed screw for rapid installation Extra protection against drop 	<ul style="list-style-type: none"> 75x 75mm Standard VESA Specification Easy installation

P-CAP Stylus



Simple Charger



Part Number	AIM-P704	AIM-P708A0 / AIM-P708C0
Color	Black	Gray
Dimensions	140 x 9.7 mm (5.51 x 0.38 in)	167 x 138 x 98 mm (6.57 x 5.43 x 3.86 in)
Weight	20g (0.044 lb)	550g (1.21lb)
Feature	<ul style="list-style-type: none"> Windows hardware certification approved Palm detection Pressure Detection 	<ul style="list-style-type: none"> Compact and stylish cradle for AIM-37 industrial tablet Suitable for table-site ordering and information checking Provide another charging method to retail customer

Magnet Charging Jacket



Magnet Charging Cradle



Part Number	AIM-P707A2	AIM-P708B2
Bundled Part Number	AIM-P709C0	
Color	Gray	Gray
Dimensions	299.96 x 183.48 x 20.4 mm	302.63 x 125.00 x 53.71 mm
Weight	0.37 KG	1.42 KG
Feature	<ul style="list-style-type: none"> Favorable charging station in the retail and hospitality Accommodating to both desk-top and wall-mounting modes Waterproof charging design better adaptation to the complex setting 	