

# AIW-346

**LTE Cat.4+GNSS, Multiple form factor Modem card, pre-carrier certified**



## Features

- 4G/LTE Cat 4 and FDD-LTE/WCDMA
- LTE FDD:150Mbps DL/50Mbps UL (Cat 4)
- LTE TDD:130Mbps DL/30.5Mbps UL (Cat 4)
- Operating temperature:  
Normal: -30°C ~ +80°C / -22°F ~ 176°F  
Extended: -40°C ~ +85°C / -40°F ~ 185°F
- Pre-carrier certified modem: AT&T and Verizon
- With GNSS: GPS/GLONASS/BeiDou/Galileo/QZSS(optional)
- Driver ready on Windows 10 and Linux (RNDIS supported)
- With SIM slot



## Specifications

|                                    |                                                                                                            |
|------------------------------------|------------------------------------------------------------------------------------------------------------|
| Main Chipset                       | QUALCOMM MDM9607                                                                                           |
| Antenna                            | 2 LTE Antenna Coaxial Connectors +1 GPS antenna connector                                                  |
| Band                               | LTE Band: 2, 4, 5, 12, 13, 14, 66, 71<br>WCDMA Band: 2, 4, 5                                               |
| Data Throughput                    | 4G/ LTE Cat.4 (LTE: 150Mbps DL, 50Mbps UL)                                                                 |
| Interface                          | USB 2.0 / UART board-to-board connector                                                                    |
| Operation Voltage                  | DC 3.3/5V through board-to-board connector                                                                 |
| O/S supported                      | Supports drivers for Windows 10 and Linux                                                                  |
| Temperature Ranges                 | Operating temperature:<br>Normal: -30°C ~ +80°C / -22°F ~ 176°F<br>Extended: -40°C ~ +85°C / -40°F ~ 185°F |
| Dimensions (L x W x H) (Top Layer) | 50 x 31 x 7.5 mm / 1.96 x 1.23 x 0.3 in                                                                    |

## Ordering Information

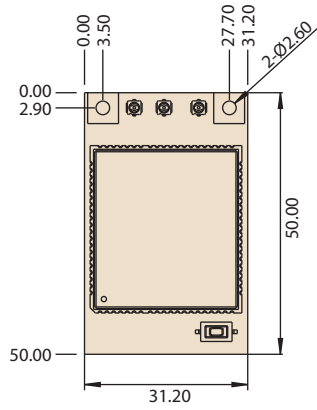
| Part No.      | Product Description                                                                               |
|---------------|---------------------------------------------------------------------------------------------------|
| AIW-346FQ-N01 | 4G communication modem, USB only for data transmission, with mPCIe adapter 2* screws and 2* studs |
| AIW-346FQ-N02 | 4G communication modem, USB only for data transmission, with M.2 3052 adapter 3* screws           |

## Recommended Antennas and Cables

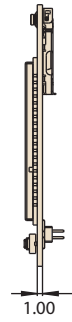
| Model             | Part No.      | Specifications                                                                                 |
|-------------------|---------------|------------------------------------------------------------------------------------------------|
| AIW-531 (For LTE) | 1751000652-01 | Multi-band dipole antenna covering 600–3000 MHz , suitable for 2/3/4/5G sub6, GPS-L1, and more |
| AIW-521 (For GPS) | 1751000666-01 | High performance passive antenna,waterproof, wide operating temperature range,IP67 level       |
|                   | 1751000650-01 | Coaxial Cable, 10cm, SMA female to IPEX1                                                       |
|                   | 1751000629-01 | Coaxial Cable, 15cm, SMA female to IPEX1                                                       |
|                   | 1751000631-01 | Coaxial Cable, 20cm, SMA female to IPEX1                                                       |
|                   | 1751000628-01 | Coaxial Cable, 25cm, SMA female to IPEX1                                                       |
|                   | 1751000632-01 | Coaxial Cable, 30cm, SMA female to IPEX1                                                       |

**Dimensions**

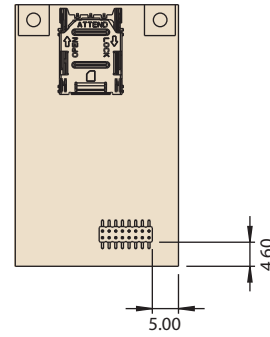
Unit: mm



Top View

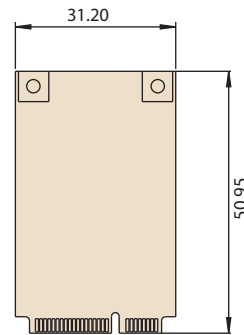
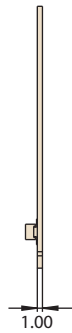
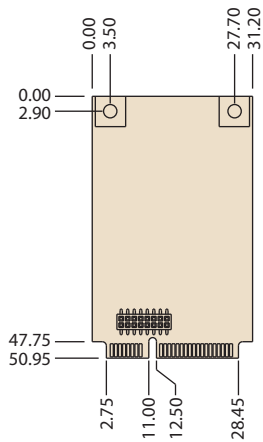


Side View



Bottom View

**miniPCle Adapter**



**M.2 Adapter**

