

# AMiS-30EM Motor Cart



## Features

- Nurse-friendly weight reduces nursing fatigue
- IPX1 rated for superior infection control
- Works with a broad range of accessories for specific workflows
- Simple height adjustment for all clinicians to work comfortably and effectively
- Medical-grade certification compliance



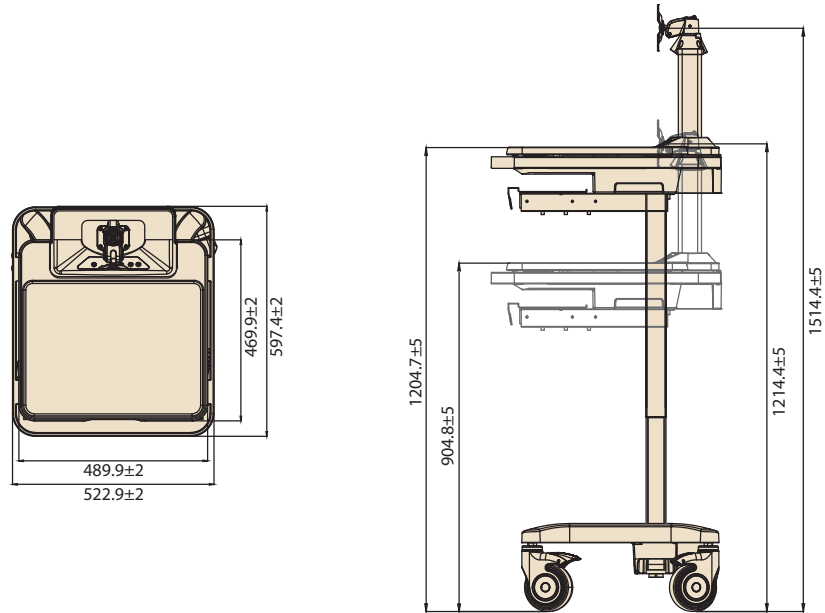
## Specifications

Category	Category Attribute	AMiS-30EM Motor Cart
Base Cart	Surface	490 x 470 mm/19.2 x 18.5 in Extra loading capacity: Up to 15 kg/33 lb
	Footprint	512 x 482 mm/20 x 19 in
	Casters	125 x 125 mm (anti-static medical casters, two locking, two non-locking)
	Height Adjustment	Electronic lift Work Surface Height Range 868 ~ 1168 mm/34 ~ 46 in VESA Center Height Range 1178 ~ 1478 mm/46 ~ 58 in Stroke: 300 mm/11.81 in
	Display Holder	Standard VESA Mount (VESA 75/75; VESA 100/100); Weight capacity: max. 12 kg/27 lb
	I/O Ports	USB 3.0 x 4; USB 2.0 x 2
	Weight	35 kg/77 lb
Power Module	Battery Type	Lithium-ion
	Battery Capacity	180 Wh (2 x 90 Wh) standard. ** 1 x pack = 90 Wh. Supports expansion with up to 3 x packs (3 x 90 Wh)
	Power Input Voltage	100 ~ 240V <sub>AC</sub> , 50 ~ 60Hz
	DC Output Voltage	Adj 12/19/24 V for 100W max system total
	Battery Lifespan	70% capacity, 500 cycles for 1 year (whichever occurs first), only in circumstances in which at least 2 x battery packs are installed
	Battery Charge Time	<3Hr 80% (2 x battery packs); <4.5Hr 80% (3 x battery packs)
	Battery Runtime	6hrs (2 x battery packs) or 9 hrs (3 x battery packs), when whole system under 30wh power consumption
Certificate		CE, FCC, & IEC60601-1 compliance

# AMIS-30EM Motor Cart

## Dimensions

Unit: mm



## Ordering Information

Item	Part Number	Spec
AMIS-30EM	AMIS-30E-1M2N3NEXC	Motor, 2 x 90 Wh battery
AMIS-30EM	AMIS-30E-1M2Q3NEXC	Motor, 3 x 90 Wh battery

## Optional

Item	Part Number	Spec
Inverter	XAMIS-A301-150-B2	110V, 100W DC to AC output (USA type Power Plug)
Mouse Holder	AMIS-50-MH-00-AE	Mouse holder w/ individual packing
Barcode Scanner Holder	AMIS-30E-BS-00-AE	Barcode Scanner Holder w/ individual packing

## Power Cord

Part Number	Power Cord Type (Spiral)
1700019822	China
1700019823	US
1700019821	US-D180
1700019824-11	EU
1700019825	UK
1700020538-01	Australia
1700022626-01	Brazil

