

# ARES-5252G

## Single Arm Wall-Mount Workstation Patented VESA Bracket

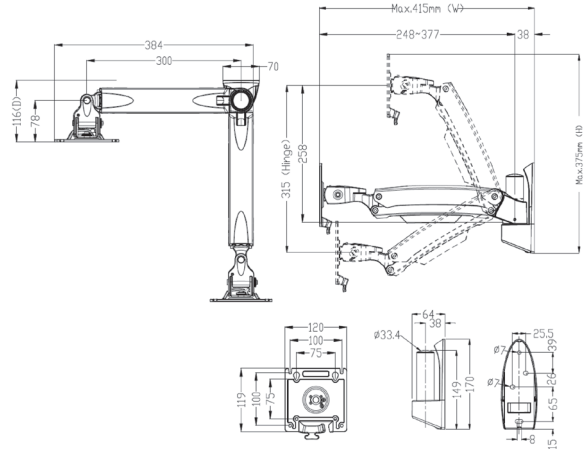



**100x100/75x75 mm**

**2 ~ 10 kg**
 Color Options:

### Dimensions

Unit: mm



### Specifications

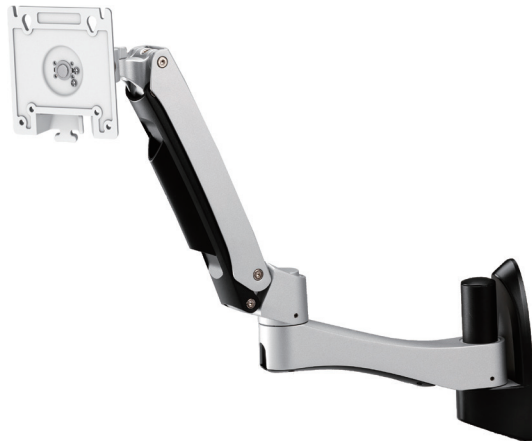
Complete System	Net Weight	1.70 Kg (3.75lbs)	
	Dimension (W x H x D)	415 x 375 x 116mm (16.34" x 14.76" x 4.57")	
	Screw Type	M4	
	Material	Steel/Aluminum Alloy/Plastic	
Display System	Hinge Module	Swivel (Hinge)	±90°
		Tilt (Hinge)	-20° ~ + 90°
		Pivot	360°
		User Torque Adjust	Available
	Display Support	Mounting Pattern	100x100 / 75x75 mm
		Panel Size Support	≤ 32"
		Support Weight (Range)	2~10Kg (4.41~22.05lbs)
	Height Adjust	Height Adjustment Range (Arm)	315 mm (12.4")
		Tension Torque Adjust	Yes
		Tilt (Arm)	-30° (down) ~ +65° (up)
Max. Distance To The Wall	415mm (16.34")		
Min. Distance To The Wall	99mm (3.90")		
Extended Arm Provided	1		
Cable Management	Yes		

### Ordering Information

Part No.	Description
ARES-5252G-ATW1000	WallArm, patented VESA, ≤ 32", support 2~10 kg

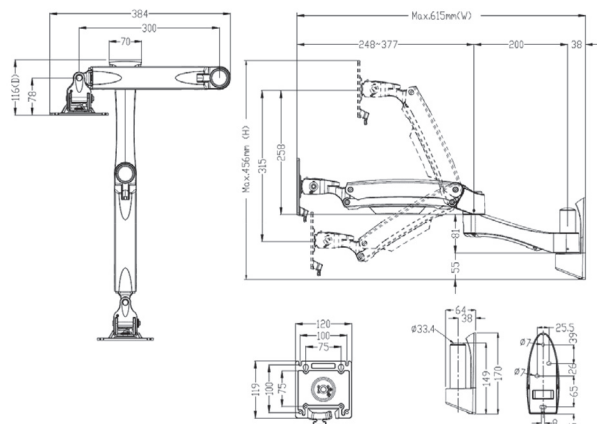
# ARES-52A2G

## Extended Arm Wall-Mount Workstation Patented VESA Bracket



### Dimensions

Unit: mm



VESA 100x100/75x75 mm MAX 2 ~ 10 kg Color Options:

### Specifications

Complete System	Net Weight	2.10 kg (4.63 lbs)	
	Dimension (W x H x D)	615 x 456 x 116 mm (24.21" x 17.95" x 4.57")	
	Screw Type	M4	
	Material	Steel/Aluminum Alloy/Plastic	
Display System	Hinge Module	Swivel (Hinge)	±90°
		Tilt (Hinge)	-20° ~ + 90°
		Pivot	360°
		User Torque Adjust	Available
	Display Support	Mounting Pattern	100x100 / 75x75 mm
		Panel Size Support	≤ 32"
		Support Weight (Range)	2~10Kg (4.41~22.05lbs)
	Height Adjust	Height Adjustment Range (Arm)	315 mm (12.4")
		Tension Torque Adjust	Yes
		Tilt (Arm)	-30° (down) ~ +65° (up)
Max. Distance To The Wall	615mm (24.21")		
Min. Distance To The Wall	99 mm (3.90")		
Extended Arm Provided	2		
Cable Management	Yes		


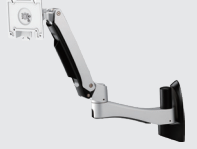
### Ordering Information

Part No.	Description
ARES-52A2G-ATW2000	WallArm, patented VESA, ≤ 32", support 2~10 kg

# Compatible Table




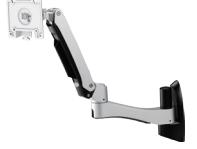
Get the latest version [HERE](#)

Model Name				ARES-5252G	ARES-52A2G
Part Number				ARES-5252G-ATW1000	ARES-52A2G-ATW2000
Photo					
Max. Support Weight				2-10kg	2-10kg
Max. Support Panel Size				≤ 32	≤ 32
System Model	Panel size (inch)	Weight (kg)	VESA (mm)	75 x 75 mm 100 x 100 mm	75 x 75 mm 100 x 100 mm
FPM-1150G	15	4	75 x 75	Yes	Yes
FPM-115W	15.6	1.5	100 x 100	-	-
FPM-121W	21.5	2.5	100 x 100	Yes	Yes
FPM-212	12.1	3.2	75 x 75	Yes	Yes
FPM-215	15	4.6	75 x 75	Yes	Yes
FPM-215W	15.6	4	75 x 75	Yes	Yes
FPM-217	17	5.4	75 x 75	Yes	Yes
FPM-219	19	6.2	75 x 75	Yes	Yes
FPM-221W	21.5	6	75 x 75	Yes	Yes
FPM-3121G	12.1	4.07	75 x 75 100 x 100	Yes	Yes
FPM-3151G	15	7.73	75 x 75 100 x 100	Yes	Yes
FPM-3171G	17	9.25	75 x 75 100 x 100	Yes	Yes
FPM-3191G	19	10.65	75 x 75 100 x 100	-	-
FPM-5151G	15	6	75 x 75 100 x 100	Yes	Yes
FPM-5171G	17	7	75 x 75 100 x 100	Yes	Yes
FPM-5191G	19	9	75 x 75 100 x 100	Yes	Yes
FPM-7061	6.5	1.2	75 x 75	-	-
FPM-7121	12.1	2.6	75 x 75 100 x 100	Yes	Yes
FPM-715	15	4.6	75 x 75	Yes	Yes
FPM-7151T	15	4.2	75 x 75 100 x 100	Yes	Yes
FPM-7151W	15.6	4.2	75 x 75 100 x 100	Yes	Yes
FPM-715W	15.6	4	75 x 75	Yes	Yes
FPM-717	17	5.4	75 x 75	Yes	Yes
FPM-7181W	18.5	6	100 x 100	Yes	Yes
FPM-719	19	6.2	75 x 75	Yes	Yes
FPM-7211W	21.5	8	100 x 100	Yes	Yes
FPM-7212	21.5		75 x 75 100 x 100	Yes	Yes
FPM-8151H	15	8.5	75 x 75 100 x 100	Yes	Yes
FPM-815S	15	7.73	100 x 100	Yes	Yes
FPM-817S	17	7.73	100 x 100	Yes	Yes
HIT-507	7	1.2	75 x 75	-	-
HIT-512	11.6	1.5	75 x 75	-	-
HIT-W101L	10.1	1.4	75 x 75	-	-
HIT-W153	15.6	4.7	75 x 75mm 100 x 100	Yes	Yes
HIT-W183	18.5	5.94	75 x 75mm 100 x 100	Yes	Yes
HIT-312	11.6	1.2	100 x 100	-	-
HIT-315	15.6	1.2	100 x 100	-	-
IDS-3118W	18.5	4.69	75 x 75 100 x 100	Yes	Yes
IDS-3121W	21.5	5.4	75 x 75 100 x 100	Yes	Yes
IDS-3217	17		75 x 75 100 x 100	Yes	Yes
IDS-3218W	18.5	5	75 x 75 100 x 100	Yes	Yes
IPPC-5211WS	21.5	15.8	100 x 100	-	-
PAX-121	21.5	5.5	75 x 75 100 x 100	Yes	Yes

# Compatible Table




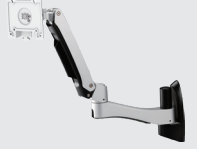
Get the latest version [HERE](#)

Model Name				ARES-5252G	ARES-52A2G
Part Number				ARES-5252G-ATW1000	ARES-52A2G-ATW2000
Photo					
Max. Support Weight				2-10kg	2-10kg
Max. Support Panel Size				≤ 32	≤ 32
System Model	Panel size (inch)	Weight (kg)	VESA (mm)	75 x 75 mm 100 x 100 mm	75 x 75 mm 100 x 100 mm
PAX-124	23.8	6.98	75 x 75 100 x 100	Yes	Yes
PAX-324	24	7.6	75 x 75mm 100 x 100	Yes	Yes
PAX-327	27	10.36	75 x 75mm 100 x 100	-	-
PAX-332	32	12.5	75 x 75mm 100 x 100	-	-
PAX-355	55	55	600 x 400mm	-	-
POC-421	21.5	6.29	75 x 75mm 100 x 100	Yes	Yes
POC-424	23.8	7.78	75 x 75mm 100 x 100	Yes	Yes
POC-615	15.6	4.89	75 x 75mm 100 x 100	Yes	Yes
POC-621	21.5	6.29	75 x 75mm 100 x 100	Yes	Yes
POC-624	23.8	7.78	75 x 75mm 100 x 100	Yes	Yes
POC-821	21.5	7	75 x 75mm 100 x 100	Yes	Yes
POC-824	23.8	8	75 x 75mm 100 x 100	Yes	Yes
PPC-112W	11.6	1.78	100 x 100	-	-
PPC-115W	15.6	2.6	100 x 100	Yes	Yes
PPC-3060S	6.5 / 7	1.5	75 x 75	-	-
PPC-3100	10.4	2.8	75 x 75	Yes	Yes
PPC-3120	12.1	3.4	75 x 75	Yes	Yes
PPC-3150	15	5.3	75 x 75	Yes	Yes
PPC-3150S	15	4	75 x 75	Yes	Yes
PPC-3150SW	15.6	4.7	75 x 75	Yes	Yes
PPC-3151	15	5.4	75 x 75	Yes	Yes
PPC-315SW	15.6	4.8	100 x 100	Yes	Yes
PPC-315W	15.6	4.8	100 x 100	Yes	Yes
PPC-3170	17	6.3	75 x 75	Yes	Yes
PPC-3180	18.5	5.4	75 x 75	Yes	Yes
PPC-3181SW	18.5	5.7	100 x 100	Yes	Yes
PPC-3190	19	7	75 x 75	Yes	Yes
PPC-3210SW	21.5	7.5	75 x 75	Yes	Yes
PPC-3211SW	21.5	6.8	100 x 100	Yes	Yes
PPC-3211W	21.5	7.7	75 x 75 100 x 100	Yes	Yes
PPC-321W EHL	21.5	7.2	75 x 75	Yes	Yes
PPC-321W TGL	21.5	6.6	100 x 100	Yes	Yes
PPC-3241SW	23.8	8.6	100 x 100	Yes	Yes
PPC-324W	23.8	8.4	100 x 100	Yes	Yes
PPC-324W P7	23.8	8.6	100 x 100	Yes	Yes
PPC-412	12.1	3.4	75 x 75	Yes	Yes
PPC-415 TBG	15	5.4	75 x 75	Yes	Yes
PPC-6121	12.1	3.8	75 x 75	Yes	Yes
PPC-6151C	15	5.03	75 x 75 100 x 100	Yes	Yes
PPC-615W	15.6	6.1	75 x 75	Yes	Yes
PPC-6171C	17	5.4	75 x 75 100 x 100	Yes	Yes
PPC-618W	18.5	7.6	75 x 75 100 x 100	Yes	Yes
PPC-6191C	19	5.8	75 x 75 100 x 100	Yes	Yes
PPC-621W	21.5	8.4	75 x 75 100 x 100	Yes	Yes
SPC-221	21.5	9	100 x 100	Yes	Yes

# Compatible Table



Get the latest version [HERE](#)

Model Name	ARES-5252G			ARES-52A2G		
Part Number	ARES-5252G-ATW1000			ARES-52A2G-ATW2000		
Photo						
Max. Support Weight	2-10kg			2-10kg		
Max. Support Panel Size	≤ 32			≤ 32		
System Model	Panel size (inch)	Weight (kg)	VESA (mm)	75 x 75 mm 100 x 100 mm	75 x 75 mm 100 x 100 mm	
SPC-515	15	10	100 x 100	Yes	Yes	
SPC-815 (VESA mounting kit: 9653800M020)	15.6	8.2	100 x 100	Yes	Yes	
SPC-821 (VESA mounting kit: 9653800M020)	21.5	10.6	100 x 100	-	-	
TPC-107W	7	2	100 x 100	Yes	Yes	
TPC-110W	10.1	3.9	100 x 100	Yes	Yes	
TPC-115W	15.6	6.9	100 x 100	Yes	Yes	
TPC-1251T	12	3.12	100 x 100	Yes	Yes	
TPC-1551T	15	4.4	100 x 100	Yes	Yes	
TPC-1751T	17	5.1	100 x 100	Yes	Yes	
TPC-312 EHL	12	4.1	100 x 100	Yes	Yes	
TPC-312 WHL	12.1	4.1	100 x 100	Yes	Yes	
TPC-315 EHL	15	5.8	100 x 100	Yes	Yes	
TPC-315 WHL	15	5.8	100 x 100	Yes	Yes	
TPC-317 WHL	17	6.1	100 x 100	Yes	Yes	
TPC-324W EHL	23.8	9.3	100 x 100	Yes	Yes	
TPC-324W WHL	23.8	9.3	100 x 100	Yes	Yes	
USC-130	11.6	2	75 x 75 (embedded)	-	-	
USC-160	15.6	3	75 x 75	Yes	Yes	
USC-250	15	5.1	75 x 75 (embedded)	-	-	
USC-M3	11.6	2	75 x 75 (embedded)	-	-	
USC-M6	15.6	3	75 x 75 (embedded)	-	-	
UTC-115	15.6	2.4	100 x 100	Yes	Yes	
UTC-120	21.5	5.29	100 x 100	Yes	Yes	
UTC-124	23.8	6.53	100 x 100	Yes	Yes	
UTC-307	7	0.95	75 x 75	-	-	
UTC-310	10.1	1.12	75 x 75	-	-	
UTC-315	15.6	<4	75 x 75	Yes	Yes	
UTC-318	18.5	5	100 x 100	Yes	Yes	
UTC-320	21.5	6.5	100 x 100	Yes	Yes	
UTC-510	10.1	1.8	75 x 75	-	-	
UTC-515	15.6	4.85	100 x 100	Yes	Yes	
UTC-520	21.5	8	100 x 100	Yes	Yes	
UTC-532	31.5	18	200 x 200	-	-	
UTC-542	42.5	24.6	200 x 200	-	-	
UTC-723	31.5	38	200 x 200	-	-	
UTK-6023	23.8	38	200 x 200	-	-	
UTK-6031	31.5	40	200 x 200	-	-	
UTK-615AP	15.6	5	100 x 100	Yes	Yes	
UTK-615DP	15.6	5	100 x 100	Yes	Yes	
VUE-2101-WX50PA-A4	10.1	1.5	100 x 100	-	-	
VUE-2101-WX50PC-A4	10.1	1.5	100 x 100	-	-	
VUE-2101-WX50PX-A4	10.1	1.5	100 x 100	-	-	
VUE-2150-XA50PA-N4	15.0	3.5	100 x 100	Yes	Yes	
VUE-2150-XA50PC-N4	15.0	3.5	100 x 100	Yes	Yes	
VUE-2150-XA50PX-N4	15.0	3.5	100 x 100	Yes	Yes	
VUE-2156-FD45PA-N4	15.6	3.1	100 x 100	Yes	Yes	
VUE-2156-FD45PC-N4	15.6	3.1	100 x 100	Yes	Yes	
VUE-2156-FD45PX-N4	15.6	3.1	100 x 100	Yes	Yes	
VUE-2190	19	4.4	100 x 100	Yes	Yes	
VUE-2238-FD35PA-N4	23.8	6.2	100 x 100	Yes	Yes	
VUE-2238-FD35PC-N4	23.8	6.2	100 x 100	Yes	Yes	
VUE-2238-FD35PX-N4	23.8	6.2	100 x 100	Yes	Yes	
VUE-2320	32	10.35	200 x 200	-	-	