

# ARES-8 Series

## Ball Joint Mount

### ARES-821SC

Ball joint mount Short Arm 130 mm with 2.25" ball



#### Specifications

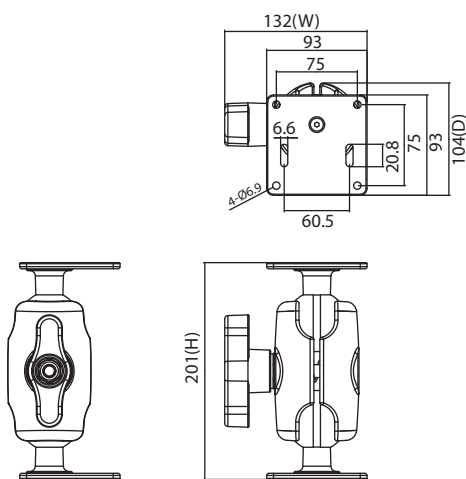
|                       |                   |   |
|-----------------------|-------------------|---|
| Net Weight            |                   | 1.58Kg (3.48lbs)                              |
| Dimension (W x H x D) |                   | 132 x 201 x 104 mm<br>(5.20" x 7.91" x 4.09") |
| Material              |                   | Steel / Aluminum / Rubber                     |
| Arm length            | Between arm end   | 130 mm  |
|                       | Between ball head | 201 mm  |
| Ball size             |                   | 57.15mm (2.25")                               |
| Weight capacity       | General           | 6.5kg (14.33 lbs)                             |
|                       | Heavy duty (5M3)  | 4.5kg (6.61 lbs)                              |
| Mounting Pattern      |                   | 75x75 mm                                      |

#### Ordering Information

| PN                | Description                              |
|-------------------|--|
| ARE-821SC-MDS1101 | Ball mount short Arm 130 mm w 2.25" ball |

#### Dimensions

Unit: mm



### ARES-821SL

Ball joint mount Long Arm 215 mm with 2.25" ball



#### Specifications

|                       |                   |   |
|-----------------------|-------------------|---|
| Net Weight            |                   | 1.9Kg (4.19lbs)                               |
| Dimension (W x H x D) |                   | 132 x 201 x 104 mm<br>(5.20" x 7.91" x 4.09") |
| Material              |                   | Steel / Aluminum / Rubber                     |
| Arm length            | Between arm end   | 215 mm  |
|                       | Between ball head | 284 mm  |
| Ball size             |                   | 57.15mm (2.25")                               |
| Weight capacity       | General           | 6.5kg (14.33 lbs)                             |
|                       | Heavy duty (5M3)  | 4.5kg (6.61 lbs)                              |
| Mounting Pattern      |                   | 75x75 mm                                      |

#### Ordering Information

| PN                | Description                             |
|-------------------|---|
| ARE-821LC-MDM1101 | Ball mount long Arm 215 mm w 2.25" ball |

#### Dimensions

Unit: mm

