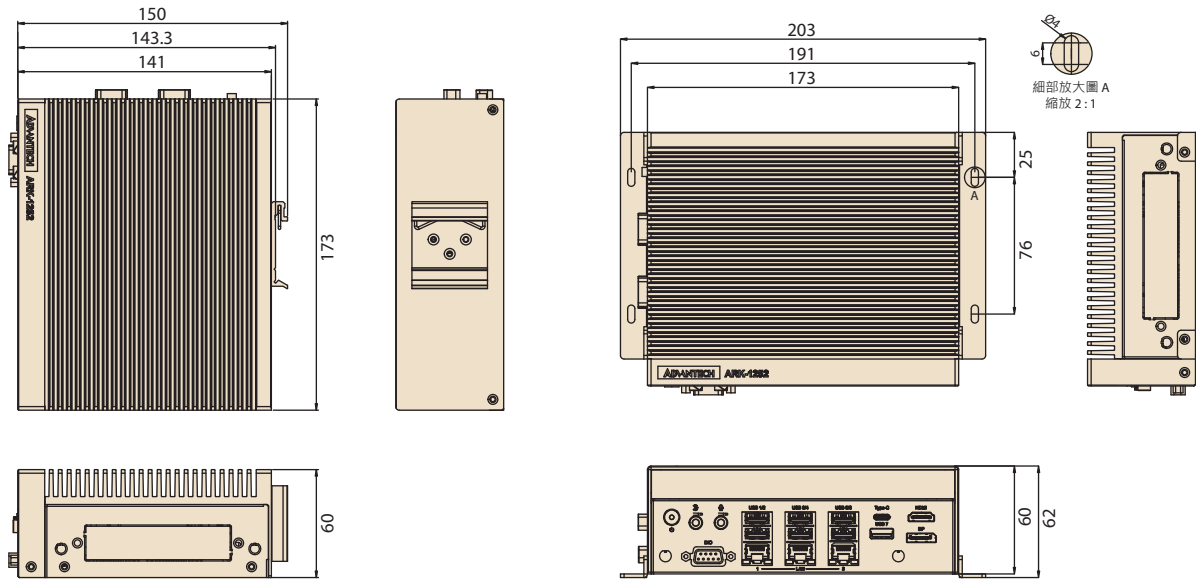


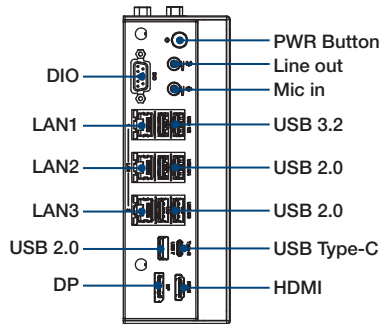


**Dimensions**

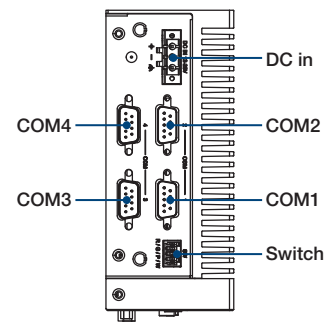
Unit: mm



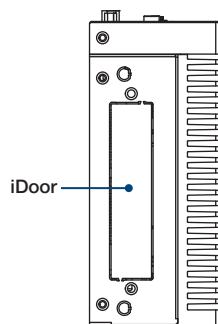
**Front Panel External I/O Mechanical Layout/Drawing**



**Top Panel External I/O Mechanical Layout/Drawing**



**Bottom View External I/O Mechanical Layout/Drawing**



## Ordering Information

Part No.	CPU	RAM	HDMI	DP	LAN	COM	USB Type A	USB Type C	M.2 B	M.2 E	M.2 M	SIM	Audio	Option Module
ARK-1252-S4A1	Core 3 304	1 socket (up to 64GB)	1	1	3	4	2 x USB 3.2 5 x USB 2.0	1	1	1	1	1	Mic in and Line out	5G/WiFi/iDoor/PoE
ARK-1252-S5A1	Core 5 320	1 socket (up to 64GB)	1	1	3	4	2 x USB 3.2 5 x USB2.0	1	1	1	1	1	Mic in and Line out	5G/WiFi/iDoor/PoE
ARK-1252-S4A1U*	Core 3 304	1 socket (up to 64GB)	1	1	3	4	2 x USB 3.2 5 x USB 2.0	1	1	1	1	1	Mic in and Line out	5G/WiFi/iDoor/PoE
ARK-1252-S5A1U*	Core 5 320	1 socket (up to 64GB)	1	1	3	4	2 x USB 3.2 5 x USB2.0	1	1	1	1	1	Mic in and Line out	5G/WiFi/iDoor/PoE

\* P/N with alphabet "U" as suffix are Made in TW

## Packing List

Part Number	Description
-	1 x ARK-1252 Unit
-	1 x User Manual (Simplified Chinese)
-	1 x China RoHS
-	2 x CPU pad 25x20x0.21mm
-	1 x Memory pad 59x23x2.0mm
1950016395T121	1 x DIN-rail bracket
1652004519	1 x 3-pin plug-in block for power in
1652007880-01	1 x 4-pin plug-in block for remote switch
36WSWPD0BD0211	Trellix, Acronis
36WSWPD0BUND11	WISE-PaaS/DeviceOn Client Bundle

## Embedded OS

Part Number	Description
207XXXXXXXXXX(TBD)	Ubuntu 24.04
207XXXXXXXXXX(TBD)	Win 11 24HL 64b 24H2 ENU

## Optional List

Part Number	Description
96PSA-A120W24T2-4	AC to DC adaptor, 24V/120W
1702002600	Power cable 3-pin 183cm, USA type
1702002605	Power cable 3-pin 183cm, EU type
1702031801	Power cable 3-pin 183cm, UK type
1700000237	Power cable 3-pin 183cm, PSE type
1700030518-01	CANBus Cable
1960103315N010	M.2 3052 Extend Bracket
AMK-W006	Wall mount kit
AMK-V023E	VESA mount kit
AMK-A0054	Thermal kit for Hailo AI /5G module
AMK-XXXXX	Thermal kit for POE module
AMK-A0055	ARK-1252 1 port CANBus Kit
AMK-A0056	ARK-1252 2 port CANBus Kit

Note:

- Please note that the AMK-V023E needs to be used in conjunction with the AMK-W006.
- 15W PoE can be supported by LAN1 and LAN2

## Optional PCM modules for iDoor

Part Number	Description
PCM-34D2R2-AE	2-Port Isolated RS-232 , M.2 B key (2242, USB), DB9 x 2
PCM-34D2R4-AE	2-Port Isolated RS-422/485 , M.2 B key (2242, USB), DB9 x 2
PCM-34D4R2-AE	4-Port Non-Isolated RS-232 , M.2 B key (2242, USB), DB37 x 1
PCM-34D4R4-AE	4-Port Non-Isolated RS-422/485 , M.2 B key (2242, USB), DB37 x 1
PCM-37D24DI-AE	24-Channel Isolated Digital I/O w/ counter, M.2 (3042, B key, USB), DB37

Note:

- Optional 1700030518-01 cannot coexist with iDoor module
- PCM M.2 2242/3042 iDoor main board need to assembled with expansion bracket
  1. 1x 1960110006N010 (expansion bracket)
  2. 1x 193B0305E2 (M3x5L screw)