

ARK-3440

Intel® Core™ i3/i5/i7 Processor with PCI/PCIe Expansion and Dual SATA HDDs

NEW



Features

- Intel® Core™ i3/i5/i7 fanless embedded IPC
- Multi-display and support for wide screen with high resolution
- Supports 2 GbE, eSATA, 6 USB 2.0, audio and 3 COM ports
- Two internal 2.5" SATA HDD drive bays
- Various expansion interfaces for diverse applications
- Easy integration, easy maintenance, and wide input voltage range
- IP40

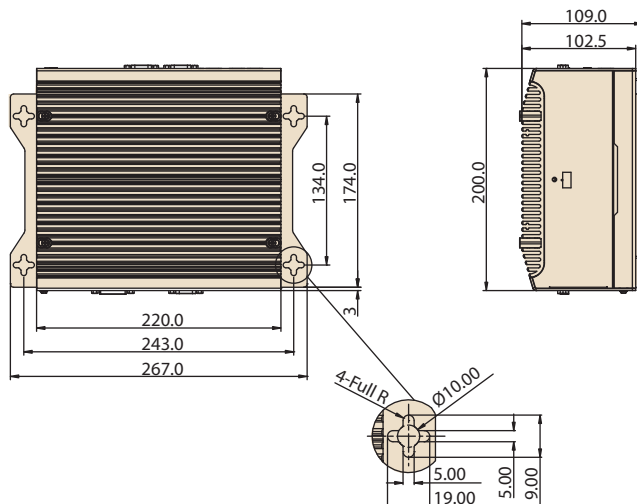


Specifications

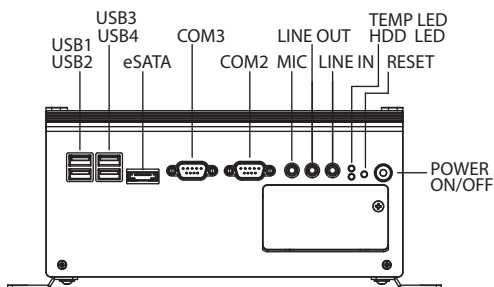
Processor System	CPU	Intel Core i7 SV up to 2.53 GHz	Intel Core i5 SV 2.4 GHz	Intel Core i3 SV up to 2.13 GHz
	System Chipset	Intel QM57 chipset		
	BIOS	AMI 64 MB SPI BIOS		
Memory	Technology	DDR3 1066/1333 MHz		
	Max. Capacity	4 GB		
	Socket	2 x 204-pin SODIMM		
Graphics	Chipset	Integrated graphics built in Intel QM57		
	Interface	CRT Interface (Optional by cable) DVI Interface, compliant with DVI 1.0 HDMI 1.3 24-bit LVDS interface(Optional)		
Ethernet	LAN 1	10/100/1000 Mbps Ethernet controller, support Wake On LAN		
	LAN 2	10/100/1000 Mbps Ethernet controller, support Wake On LAN		
Audio	Amplifier	Dual output 2.2 W amplifier		
	Interface	Spkr-out, Mic-in, Line-in		
IO interface	Serial Interface	2 x RS232, 1 x RS232/422/485 (w/ auto flow control)		
	USB Interface	6 x USB ports, compliant with USB 2.0		
	Parallel Port	Supports D-sub 25-pin connector (optional)		
	Digital I/O	Support 16-bit digital IO (optional)		
Other	Thermal alarm	Yellow LED lighting		
	Watchdog timer	255-level timer interval, setup by software		
Expansion	ISA/PCI/PCIe Slot	1 Slot PCI and 1 Slot PCIe x1 (default); 2 Slots PCIe x1 (optional); 2 Slots PCI (optional) ; 1 Slot PCI and 1 Slot PCIe x4 (optional) Supports maximum dimension of 167 mm (width) x 106 mm (length) for expansion PC board		
	Mini PCI/Mini PCIe	2 x Mini PCIe		
Storage	HDD	Supports drive bay space for 2 x SATA 2.5" HDD (9.5 mm height only)		
	SSD	Supports CompactFlash socket for type I/II CompactFlash disk		
Software Support	Microsoft Windows	Windows 7, XP Professional, XP Embedded		
	Linux	Fedora 14		
Power Requirement	Power Type	AT/ATX		
	Power Input Voltage	9 V _{DC} ~ 34 V _{DC}		
	Minimum Power Input	DC 9-34V @ 6.0-1.5A		
	Power Adapter	AC to DC, DC19V/7.89A, 150W (Optional)		
Power Consumption	Typical	38 W (with is Intel @ Core i7-610E at 2.53 GHz and w/o expansion)		
	Max.	47.94 W (with is Intel @ Core i7-610E at 2.53 GHz and w/o expansion)		
Mechanical	Construction	Aluminum housing		
	Mounting	Desk/wall-mounting		
	Dimensions (W x H x D)	220 mm x 102.5 mm x 200 mm (8.66" x 4.04" x 7.87")		
	Weight	4 kg (8.8 lb)		
Environment	Operating Temperature	With extend temperature peripherals CompactFlash disk: -20 to 50° C with extend temperature peripherals 2.5-inch hard disk -20 ~ 45°C, with air flow		
	Storage Temperature	-40 ~ 85° C (-40~185°F)		
	Relative Humidity	95% @ 40° C (non-condensing)		
	Vibration Loading During Operation	With CompactFlash disk: 5 Grms, IEC 60068-2-64, random, 5 ~ 500 Hz, 1 Oct./min, 1 hr/axis. With 2.5-inch hard disk: 1 Grms, IEC 60068-2-64, random, 5 ~ 500 Hz, 1 Oct./min, 1 hr/axis.		
	Shock During Operation	With CompactFlash disk: 50 G, IEC 60068-2-27, half sine, 11 ms duration With hard disk: 20 G, IEC 60068-2-27, half sine, 11 ms duration		
	EMC	CE/FCC Class A, CCC, BSMI		
	Safety Certifications	UL, CCC, BSMI		

Dimensions

Unit: mm (inch)

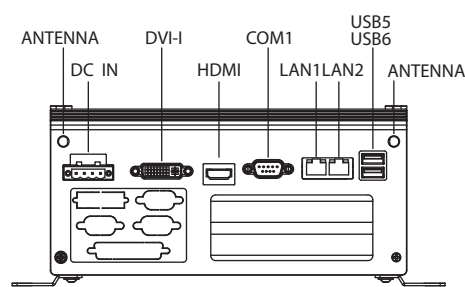


Front Panel External I/O Mechanical Layout/Drawing



ARK-3440F

Rear Panel External I/O Mechanical Layout/Drawing



ARK-3440F

Packing List

Part Number	Description
-	1 x ARK-3440 Unit
-	1 x Driver/Utility CD/Manual
1960014487T00C	2 x desk/wall mount plate
1652003234	1 x 4-pin Phoenix DC power connector
1654000446	1 x DVI-I to CRT connector

Optional Items

Part Number	Description
1757002161	AC-to-DC adapter, DC19 V/7.89A 150 W, with phoenix power plug, 0 ~ 40° C for home and office Use
1702002600	Power cable 3-pin 180 cm, USA type
1700004713	CABLE DVI-I to DVI-D and CRT
1700018187	LPT cable 2 x 130-2.0/D-SUB 25P(F) 20 cm for ARK-3440
1700009407	DIO cable 1*8P-2.54/2*10P-1.25 10 cm for ARK-3440
1700008871	COM Cable D-SUB 9P(M)/IDE#2 10P-2.0 20 cm
AMO-R010E	2 slot riser card, 1 x PCIe x1 + 1 x PCI
AMO-R009E	2 slot riser card, 2 x PCIe x1
AMO-R013E	2 slot riser card, 2 x PCI
AMO-R014E	2 slot riser card, 1 x PCI + 1 x PCIe x4 (customized BIOS required)

Ordering Information

Part Number	Description
ARK-3440F-U5A1E	Intel Core i7 compact embedded box IPC
ARK-3440F-U4A1E	Intel Core i5 compact embedded box IPC
ARK-3440F-U1A1E	Intel Core i3 compact embedded box IPC

Embedded OS

Part Number	Description
2070009811	WES2009 ARK-3440 ENG_FRE_GER_ITA_SPA
2070009812	WES2009 ARK-3440 ENG_CHT_CHS_JPN