

4 3 2 1

F

F

E

E

D

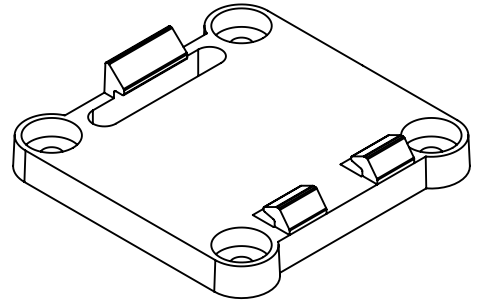
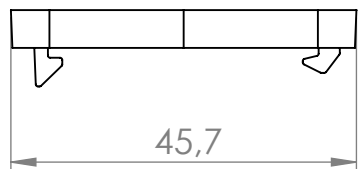
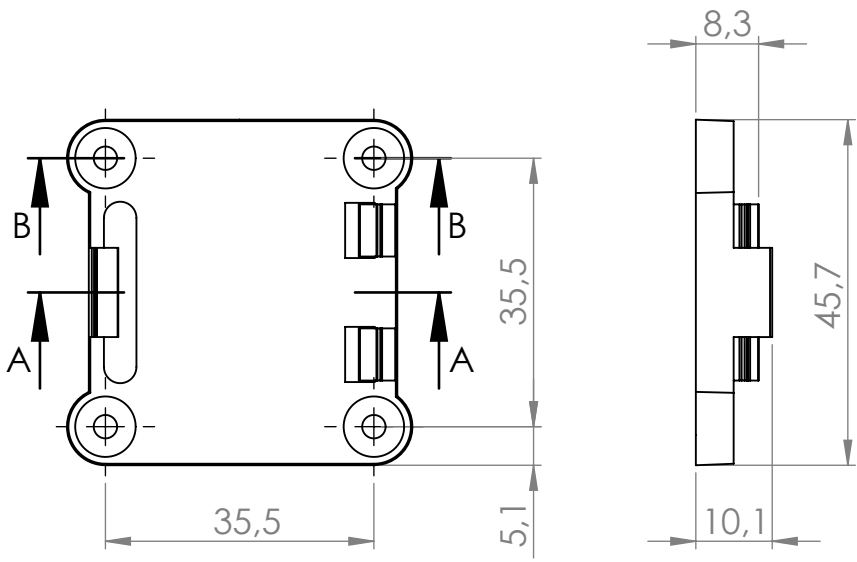
D

C

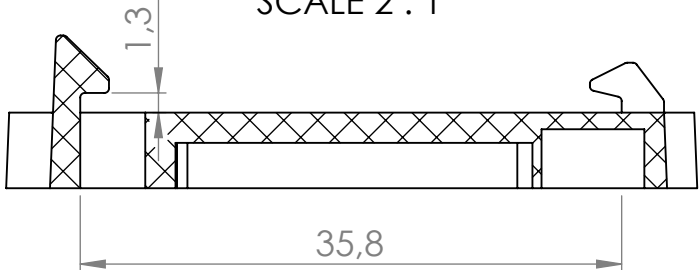
C

B

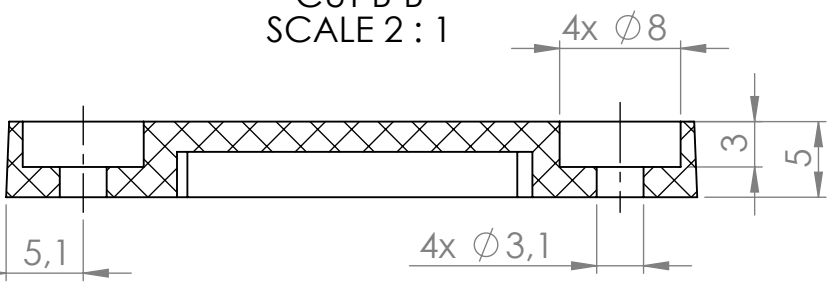
B




CUT A-A  
SCALE 2 : 1



CUT B-B  
SCALE 2 : 1



MATERIAL: SINKRAL PDF 332;  
ISOLIT BRAVO (DRAWING No. 21740-000).

0	INITIAL DESIGN	Petr Baňanka	02.03.2021					
Rev.	Description of changes	Created	Date	Verified	Date	Approved	Date	
Scale:	1:1	Weight:	g	 <b>Advantech Czech s.r.o.</b> Sokolská 71, Kerhartice 562 04 Ústí nad Orlicí phone/fax: 465 524 421 mobile: 603 872 287 E-mail: cellular.info@advantech.cz http://www.advantech.cz/				
Tolerance:	ISO 2768-mk	Material:						
Length units:	mm							
File name:	VD-2016-06-1_SmartFlex DIN - CPD3.slddrw							
Assembly drawing:								
Drawing name: SmartFlex DIN - CPD3		Drawing number: VD-2016-06-1			Sheet: 1		Total sheets: 1	
							A4	

This doc. is the intellectual property of Advantech Czech s.r.o. Usti n / O. Without the written consent of the comp.it isn't be handed over to a third party or otherwise misused.

4 3 2 1

A

A