

# Power Cable Kit

## – AC & DC Power Cables

Model BB-PCK-A

# ADVANTECH

www.advantech.com



### OVERVIEW

AC power cable and DC power cable bundled for use with industrial DIN rail mount power supply:

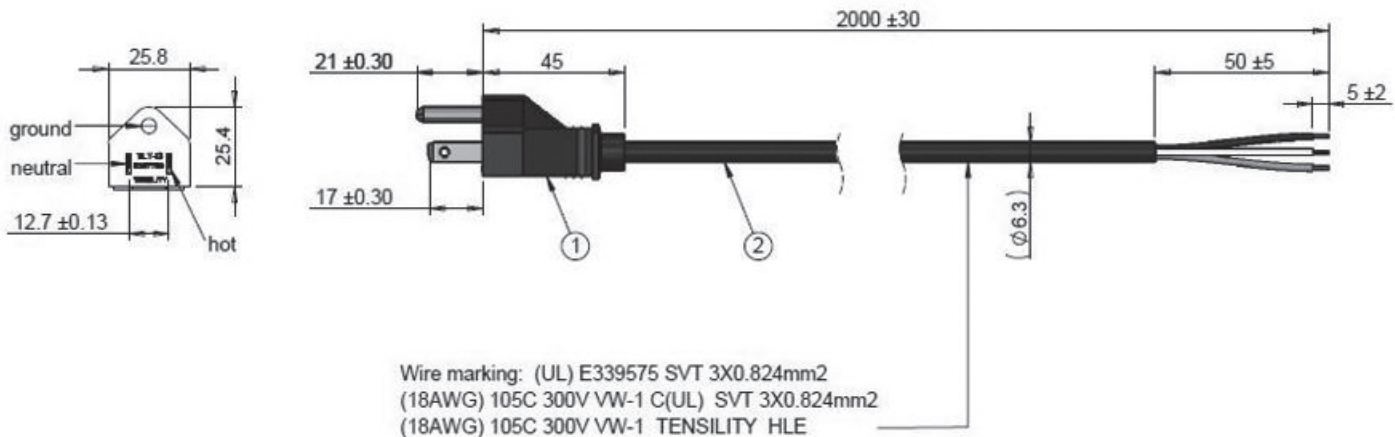
**AC Power Cable** – see details below.

**DC Power Cable** – red/black 2-conductor zip ribbon wire cable, 18-gauge 3/8", stripped and tinned both sides, 14". Wire UL2468 is +80 °C minimum temperature rating.

### ORDERING INFORMATION

MODEL NO.	DESCRIPTION
BB-PCK-A	AC Power Cable & DC Power Cable Kit

### MECHANICAL DRAWING - AC POWER CORD



- ① NEMA 5-15P plug, black overmold
- ② Wire, 3C, 18 AWG, 105C, 300V, VW-1, cUL, SVT wire, 6.3mm, PVC, TLY-13 to tinned

### WIRING DIAGRAM

TLY-13	WIRE COLOR
Hot	Black
Neutral	White
Ground	Green

### SPECIFICATIONS

AC POWER CABLE (U.S.)	
Length	2000 mm
Electrical Requirements	10A @ 125V AC
Function Test	No open, no short circuit, no intermittent
Regulatory	RoHS, REACH, NEMA

All product specifications are subject to change without notice.  
 BB-PCK-A\_Cable\_4018ds

# ADVANTECH

orders@advantech-bb.com | Headquarters: 707 Dayton Rd, PO Box 1040 Ottawa, IL 61350 USA (815)433-5100 or (800)346-3119/Toll Free Fax (815)433-5104  
 eSales@advantech-bb.com | European Office: Westlink Commercial Pk, Oranmore Co. Galway Ireland +353 91 792444 Fax +353 91 792445