

Ultra Compact Ethernet Serial Servers

BB-VESR901, BB-VESR902D

ADVANTECH

www.advantech.com



BB-VESR901

FEATURES

- Ethernet enable RS-232/422/485 serial devices
- Direct IP, virtual COM port or paired mode
- Industrial 10 to 48 VDC input power (power supply required, not included, sold separately)
- Wide operating temperature (-40 to +80 °C)
- UL Class 1/Division 2

Take control of your serial devices with Vlinx™ BB-VESR9xx Industrial Ethernet Serial Servers. If it has a serial port, it can be monitored and controlled from anywhere on your Ethernet LAN or WAN. Keep at maximum productivity without leaving your office. Configure devices, upgrade firmware monitor and troubleshoot from outside your LAN via the internet/web browser. The easy-to-use Vlinx™ Manager software puts access to your entire factory floor on your desk.

Heartbeat connectivity keeps the serial server online. If connectivity is lost, it attempts to reconnect every five seconds until connection is regained. A manual reboot is not needed when communications are restored.

ORDERING INFORMATION

MODEL NUMBER	SERIAL PORTS	SERIAL CONNECTORS	ETHERNET MEDIA	ETHERNET CONNECTORS
BB-VESR901	1	DB9 & TB	Category 5	RJ45
BB-VESR902D	2	DB9	Category 5	RJ45

ACCESSORIES – sold separately

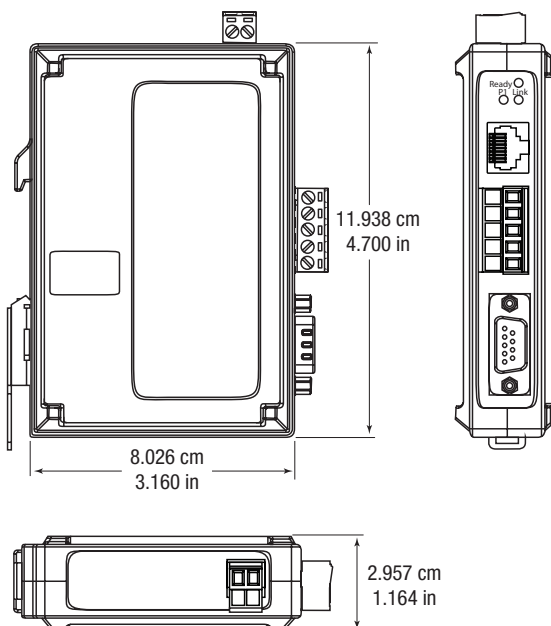
BB-MDR-40-24 - 24VDC Power Supply, 1.7 A Output Power, DIN Rail Mount

BB-DRPM25 - 35mm DIN Rail to Panel Mount Adapter Bracket

BB-TBKT1 - Replacement Terminal Block - 2-position, 5.08mm, 8A, 30

BB-TBKT2 - Replacement Terminal Block - 5-position, 5.08mm, 8A, 30

MECHANICAL DIAGRAM - BB-VESR901



All product specifications are subject to change without notice.
BB-VESR901_BB-VESR902D_1220ds

ADVANTECH

Advantech B+B SmartWorx, 707 Dayton Road, PO Box 1040 Ottawa, IL 61350 USA 1 (800)346-3119/Toll Free | orders@advantech-bb.com | support@advantech-bb.com

Ultra Compact Ethernet Serial Servers

BB-VESR901, BB-VESR902D

BB-VESR902D



SPECIFICATIONS

SERIAL TECHNOLOGY

RS-232	TD, RD, RTS, CTS, DTR, DSR, DTD, GND
RS-485 2-Wire	Data A(-), Data B(+), GND
RS-422/485 4-Wire	TDA(-), TDB(+), RDA(-), RDB(+), GND
Serial Connector	DB9M or Removable Terminal Blocks
Data Rate	Up to 230.4 Kbps

POWER

Source	External, required (not included, sold separately)
Input Voltage	10 to 48 VDC (58 VDC, maximum)
Connector	Removable Terminal Block (12 – 28 AWG)
Power Consumption	BB-VESR90x: 4.0 Watts, maximum

MECHANICAL

LED Indicators	Serial Port, Ethernet Link, Ready
Switches	Reset Button
Dimensions	BB-VESR90x: 11.94 x 8.03 x 2.96 cm
Enclosure	35mm DIN mount, Plastic, IP30
Weight	BB-VESR90x: 149.7gm

ENVIRONMENTAL

Operating Temperature	-40 to +80 °C
Operating Humidity	0 to 95%, non-condensing

MEANTIME BETWEEN FAILURES (MTBF)

MTBF	BB-VESR901: 873201 hours BB-VESR902D: 700618 hours
MTBF Calc. Method	MIL217F Parts Count Reliability Prediction

NETWORK

Serial Memory	8 KB per port
Network Memory	4 KB

NETWORK COMMUNICATIONS

LAN	10/100 Mbps auto-detecting, 10BaseT or 100BaseTX
-----	--

NETWORK PHYSICAL LAYER STANDARDS

Ethernet	IEEE 802.3 auto-detecting & MDI/MDX, 10BaseT & 100Base TX
----------	---

PROTOCOLS

Protocols	TCP, IPv4, UDP, ARP, HTTP 1.0, ICMP/PING, DHCP/BOOTP
IP Mode	Static, DHCP
TCP/UDP	User definable

OTHER

Connection Mode	Server, Client, VCOM, Paired
Client Connection	At power up or upon data arrival
Search	Serial direct COM and Ethernet Auto Search or specific IP
Diagnostics	Display PC IP, Ping, test VCOM, save test config (text readable)
Firmware Upgrade	Vlinx Manager

ETHERNET PASS-THROUGH PORT (BB-VESR922T)

Standards	IEEE 802.3, 802.3u, 802.3x
Processing Type	Store and Forward with 802.3x full duplex, non-locking flow control
Flow Control	IEEE 802.3x flow control, back pressure flow control
MAC Address Table	2K

CONFIGURATION SOFTWARE

Vlinx Manager OS	Windows 2000, XP (32/64 bit), 2003 Server (32/64 bit), Vista (32/64 bit), 2008 Server (32/64 bit), 7 (32/64 bit), 8 (32/64 bit), 10 (32/64 bit)
------------------	---

APPROVALS, DIRECTIVES, STANDARDS

Approvals	FCC, CE UL Listed, UL Class 1/Division 2 A, B, C, D
CE - Directives	2014/30/EU - Electromagnetic Compatibility 2011/65/EU amended by (EU) 2015/863 Reduction of Hazardous Substances Directive (RoHS) 2012/19/EU - Waste Electrical and Electronic Equipment (WEEE)
CE - Standards (EMC)	EN 55032 Class B - Electromagnetic Compatibility of Multimedia Equipment - Emission Requirements EN 55024 - Information Technology Equipment - Immunity Characteristics - Limits and Methods of Measurement