

CAM-2210-G

5 Mega Pixel, GMSL
Industrial Camera



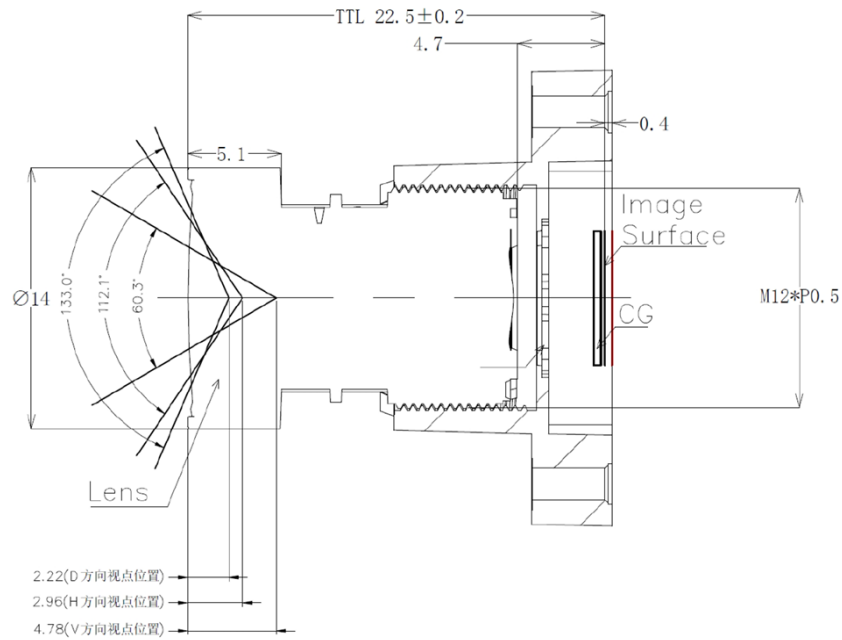
Features

- GMSL2 camera interface
- 5M pixel (2560 x 1920) @ 30fps
- Support DOL HDR
- SONY IMX335 CMOS sensor
- Rolling shutter
- Low power consumption, high sensitivity, low dark current, and no smear

Specifications

General Specification	Dimension	29mm (W) x 39.5mm (H) x 54.3mm (D)
	Weight	81.83g
	Cable type/length	Fakra cable 10cm
	Sensor/Module Interface	SerDes
	Control Interface	I2C over SerDes
	Output format	YCbCr (External ISP)
	Output format (frame rate)	2560 x 1920 x 30fps
	Operation temperature	-20°C ~ 65°C
	High Dynamic Range	HDR (2T)
	Power consumption	Mode: 2560 x 1920@30fps Idle:0.96 W Work Max: 1.92 W Voltage: 12 V
Sensor Specification	Sensor	SONY IMX335
	Shutter	Rolling shutter
	Sensor type	CMOS
	Mono/Color	Color
	Sensor size	1/2.8"
	Unit cell size	2µm (H) x 2µm (W)
	Active pixel	2560px (H) x 1920px (V)
	Pixel bit depth	12bits / 10 bits
Sensor op temperature	-30°C ~ 85 °C	
Certifications	EMC/Safety	Compliance: CE/FCC Class A, RoHS

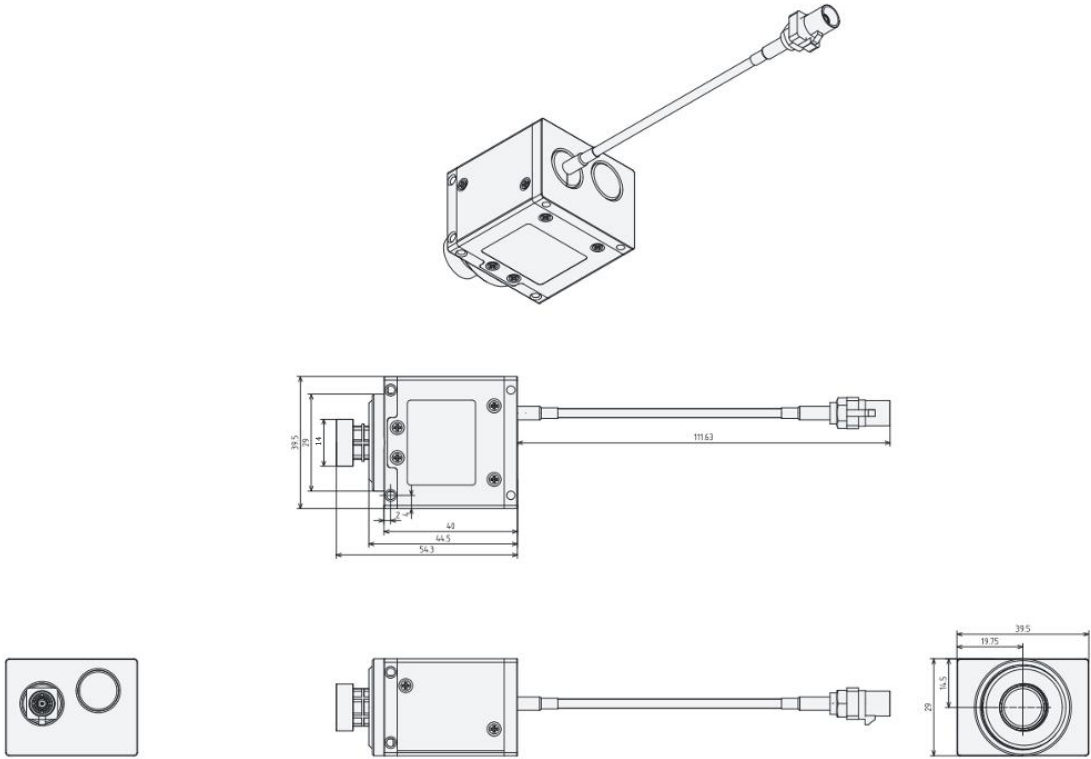
Lens Specification



Lens Specification	Lens Mount	M12 (M12 x P0.5)
	View angle	130.7° (D) x 100° (H) x 73.4° (V)
	F-number	1.6
	TV-distortion	$<-33.5\%$
	Construction	2G4P + IR
	Max image circle	$\varnothing 6.9$ mm
	EFL	3.1mm
	Mechanical BFL	4.7 ± 0.2 mm
	TTL	22.5 ± 0.2 mm
	Cut frequency at 50%	650 ± 10 nm
Depth of view	Focus @1.6m from 0.78m (Near) to Infinity (Far)	

Dimensions

Unit: mm



Front View



Rear View



Ordering Information

Part No.	Model Name	Description	Operation Temperature
96ICAM-298	CAM-2210-G	IMX335 with ISP / MAX9295, M12/F1.6/130.7'(D) x 100'(H) x 73.4'(V), 5MP/30Fps, rolling shutter	-20°C ~ 65°C

Optional Item

Part No.	Description
1751000759-01	Cable Ant. FAKRA-Z/F FAKRA-Z/F RG174 BLK Length 1M
1751000804-01	Cable Ant. FAKRA-Z/F FAKRA-Z/F KS302 BLK Length 3M
1751000805-01	Cable Ant. FAKRA-Z/F FAKRA-Z/F KS302 BLK Length 15M