

# CAM-2210-U

5 Mega Pixel, USB  
Industrial Camera



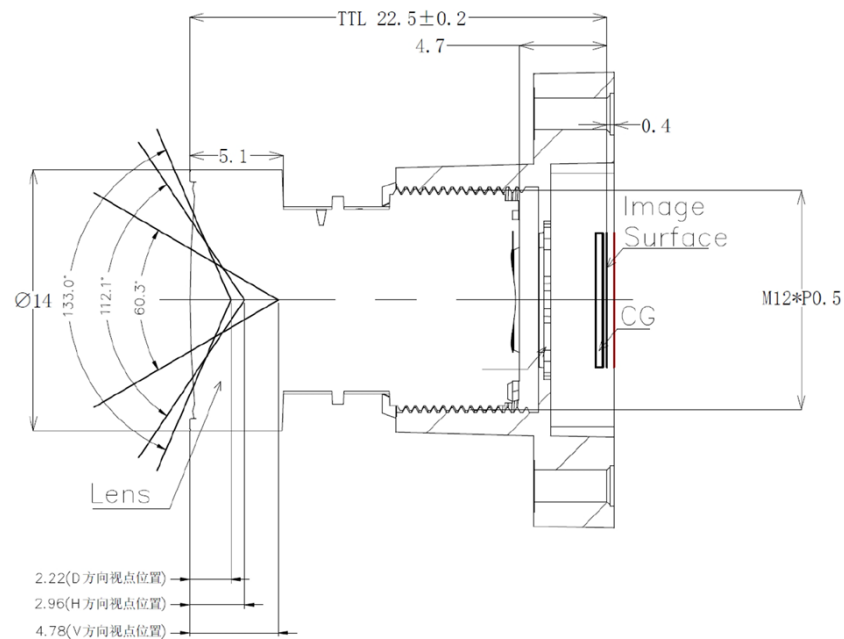
## Features

- USB3 (UVC) camera interface
- 5M pixel (2560 x 1920) @ 30fps
- SONY IMX335 CMOS sensor
- Rolling shutter
- Low power consumption, high sensitivity, low dark current, and no smear

## Specifications

General Specification	Dimension	29mm (W) x 39.5mm (H) x 51.2mm (D)
	Weight	85.46g
	Cable type/length	USB3 Type A to Type C / 2M (option)
	Sensor/Module Interface	MIPI / USB3
	Control Interface	UVC / XU command
	Output format	UVC (YUY2, NV12, MJPG, H264) YUY2 / NV12 / MJPG / H264
	Output format (frame rate)	- 2560 x 1920 x 30 fps - 1920 x 1080 x 30 fps
	Chipset/Platform	All Jetson and Intel platforms
	Operation temperature	-20°C ~ 65°C
	High Dynamic Range	HDR (2T)
Sensor Specification	Sensor	SONY IMX335
	Shutter	Rolling shutter
	Sensor type	CMOS
	Mono/Color	Color
	Sensor size	1/2.8"
	Unit cell size	2µm (H) x 2µm (W)
	Active pixel	2560px (H) x 1920px (V) 5M
	Pixel bit depth	12bits / 10 bits
Sensor op temperature	-30°C ~ 85 °C	
Certifications	EMC/Safety	Compliance: CE/FCC Class A, RoHS

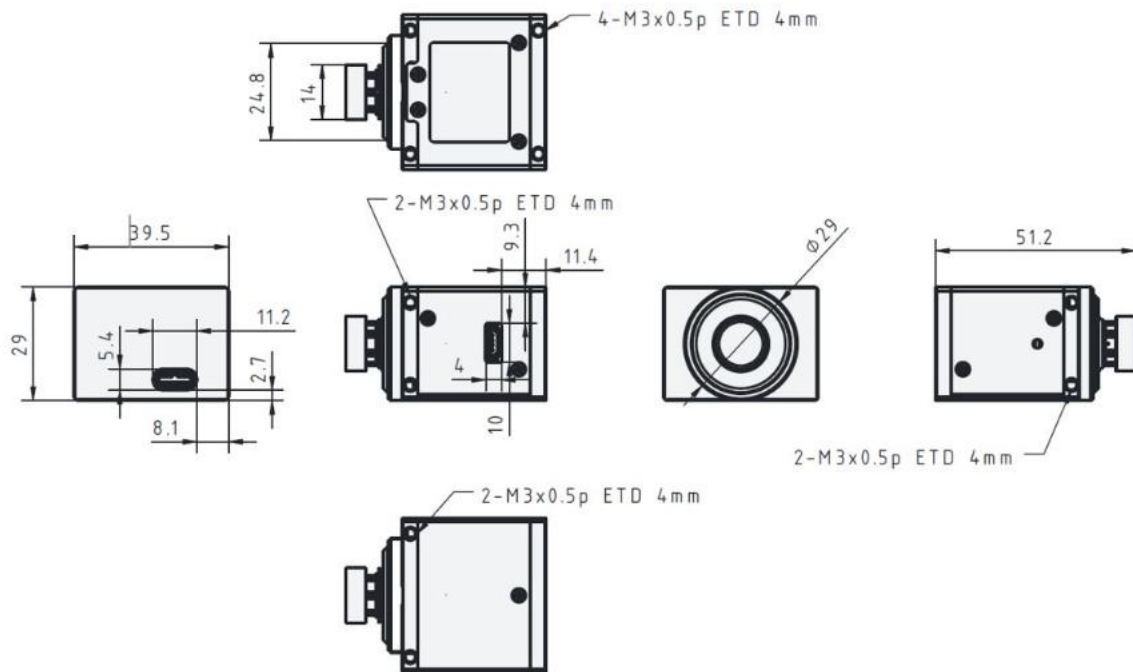
## Lens Specification



Lens Specification	Lens Mount	M12
	View angle	$130.7^\circ$ (D) x $100^\circ$ (H) x $73.4^\circ$ (V),
	F-number	1.6
	TV-distortion	-33.5%
	Construction	2G4P + IR
	Max image circle	$\varnothing 6.9$ mm
	EFL	$3.1$ mm $\pm 5\%$ mm
	Mechanical BFL	$4.7 \pm 0.2$ mm
	TTL	$22.5 \pm 0.2$ mm
	Cut frequency at 50%	$650 \pm 10$ nm
Depth of view	Focus @1.6m from 0.783m (Near) to Infinity (Far)	

## Dimensions

Unit: mm



## Front View



## Rear View



## Ordering Information

Part No.	Model Name	Description	Operation Temperature
96ICAM-285	CAM-2210-U	IMX335 with ISP / MAX9295, M12/F1.6/130.7 (D) x 100 (H) x 73.4 (V), 5MP/30Fps, rolling shutter	-20°C ~ 65°C

## Optional Item

Part No.	Description
1751000759-01	Cable Ant. FAKRA-Z/F FAKRA-Z/F RG174 BLK Length 1M
1751000804-01	Cable Ant. FAKRA-Z/F FAKRA-Z/F KS302 BLK Length 3M
1751000805-01	Cable Ant. FAKRA-Z/F FAKRA-Z/F KS302 BLK Length 15M