

CAM-2220-G

2.3 Mega Pixel, GMSL
Industrial Camera



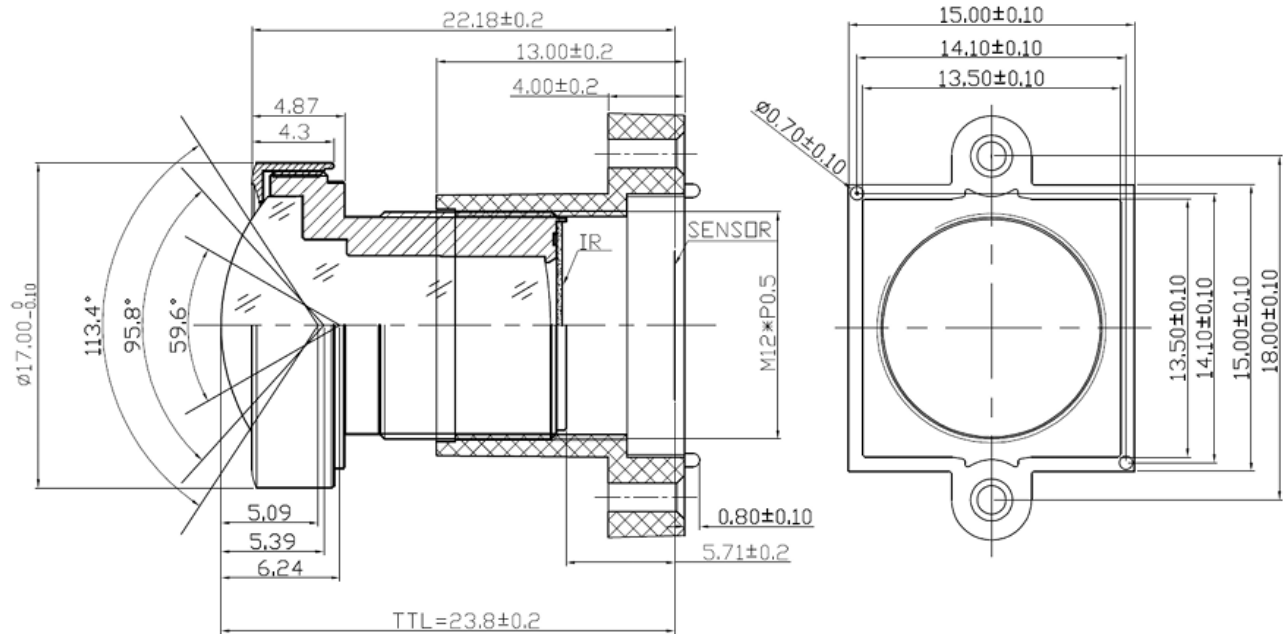
Features

- GMSL2 camera interface
- 2.3M pixel (1920 x 1200) @ 60fps
- ONSEMI AR0234 CMOS sensor
- Global shutter

Specifications

General Specification	Dimension	29mm (W) x 39.5mm (H) x 55.7mm (D)	
	Weight	86.78g	
	Cable type/length	Fakra cable 10cm	
	Sensor/Module Interface	SerDes	
	Control Interface	I2C over SerDes	
	Output format	YCbCr (External ISP)	
	Output format (frame rate)		1920 x 1200 x 30fps
			1920 x 1080 x 60fps
			1920 x 1080 x 30fps
	Operation temperature	-20°C ~ 65°C	
High Dynamic Range	HDR (2T)		
		Mode: 1920 x 1080 @60fps	
Power consumption		Idle: 0.16 W	
		Work Max: 1.92 W	
		Voltage: 12 V	
Sensor Specification	Sensor	ONSEMI AR0234	
	Shutter	Global shutter	
	Sensor type	CMOS	
	Mono/Color	Color	
	Sensor size	1/2.6"	
	Unit cell size	3 μm (H) x 3 μm (W)	
	Active pixel	1920px (H) x 1200px (V) 2.3M	
	Pixel bit depth	10bits	
Sensor op temperature	-40°C ~ 85 °C		
Certifications	EMC/Safety	Compliance: CE/FCC Class A, RoHS	

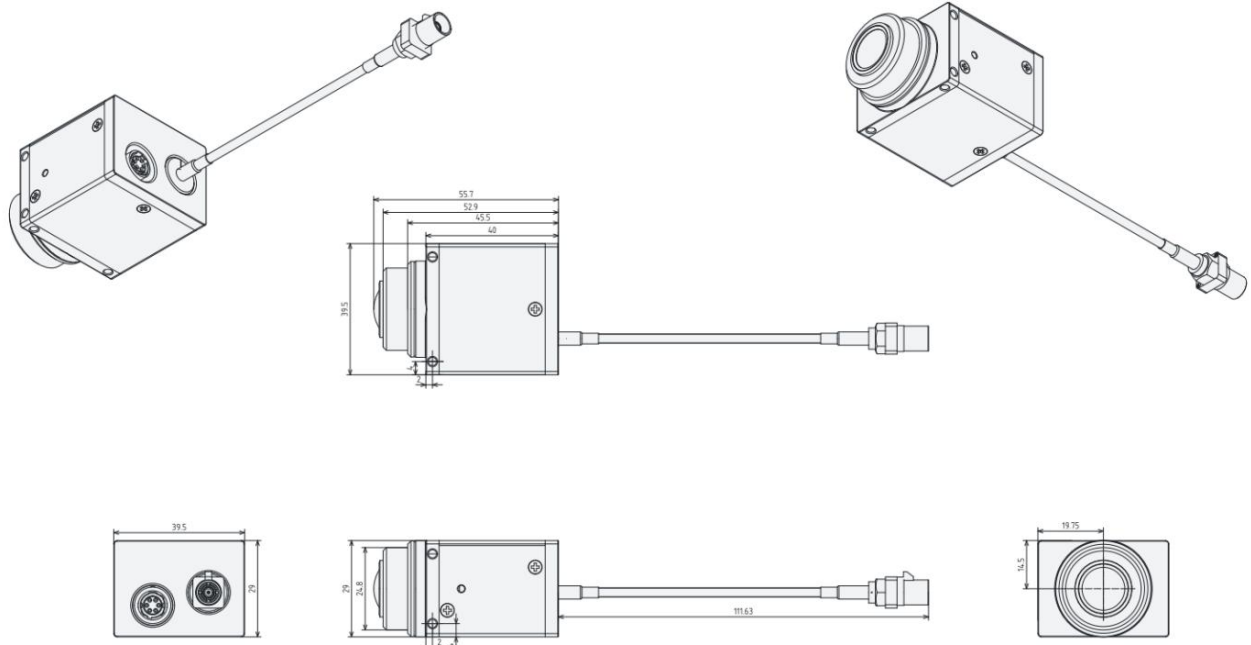
Lens Specification



Lens Specification	Lens Mount	M12
	View angle	113.4° (D) x 95.8° (H) x 59.6° (V)
	F-number	1.8
	TV-distortion	<-10.4%
	Construction	7G + IR
	Max image circle	$\phi 7.62$ mm
	EFL	3.48mm
	Mechanical BFL	5.71 ± 0.2 mm
	TTL	23.8 ± 0.2 mm
	Cut frequency at 50%	635 ± 10 nm
Depth of view	Focus @1.2m from 0.581m(Near) to Infinity (Far)	

Dimensions

Unit: mm



Front View



Rear View



Ordering Information

Part No.	Model Name	Description	Operation Temperature
96ICAM-290	CAM-2220-G	AR0234 with ISP / MAX9295, M12/F1.8/113.4°(D) x 95.8°(H) x 59.6°(V), 2.3MP/60Fps, global shutter	-20°C ~ 65°C

Optional Item

Part No.	Description
1751000759-01	Cable Ant. FAKRA-Z/F FAKRA-Z/F RG174 BLK Length 1M
1751000804-01	Cable Ant. FAKRA-Z/F FAKRA-Z/F KS302 BLK Length 3M
1751000805-01	Cable Ant. FAKRA-Z/F FAKRA-Z/F KS302 BLK Length15M