

# CAM-2310-G

4K GMSL  
Industrial Camera



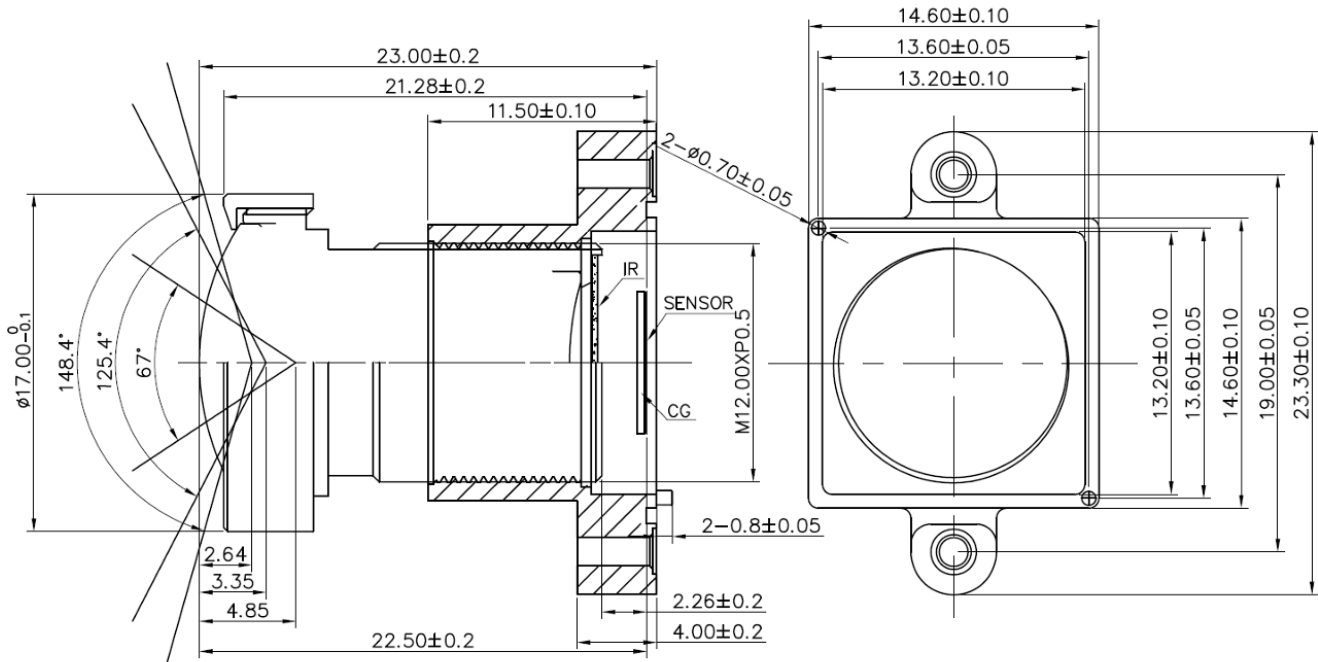
## Features

- GMSL2 camera interface
- 8M pixel (3840 x 2160) @ 30fps
- SONY IMX415 STARVIS CMOS sensor
- Rolling shutter

## Specifications

General Specification	Dimension	29mm (W) x 39.5mm (H) x 54.4mm (D)
	Weight	86.75g
	Cable type/length	Fakra cable 10cm
	Sensor/Module Interface	SerDes
	Control Interface	I2C over SerDes
	Output format	YCbCr (External ISP)
	Output format (frame rate)	3840 x 2160 x 30fps
	Operation temperature	-20°C ~ 65°C
	High Dynamic Range	HDR (2T)
	Power consumption	Mode: 3840 x 2160@30fps Idle: 0.22 W Work Max: 2.64 W Voltage: 12 V
Sensor Specification	Sensor	SONY IMX415
	Shutter	Rolling shutter
	Sensor type	CMOS
	Mono/Color	Color
	Sensor size	1/2.8"
	Unit cell size	1.45µm (H) x 1.45µm (W)
	Active pixel	3840px (H) x 2160px (V) 4K2K
	Pixel bit depth	12bits
Sensor op temperature	-30°C ~ 85 °C	
Certifications	EMC/Safety	Compliance: CE/FCC Class A, RoHS

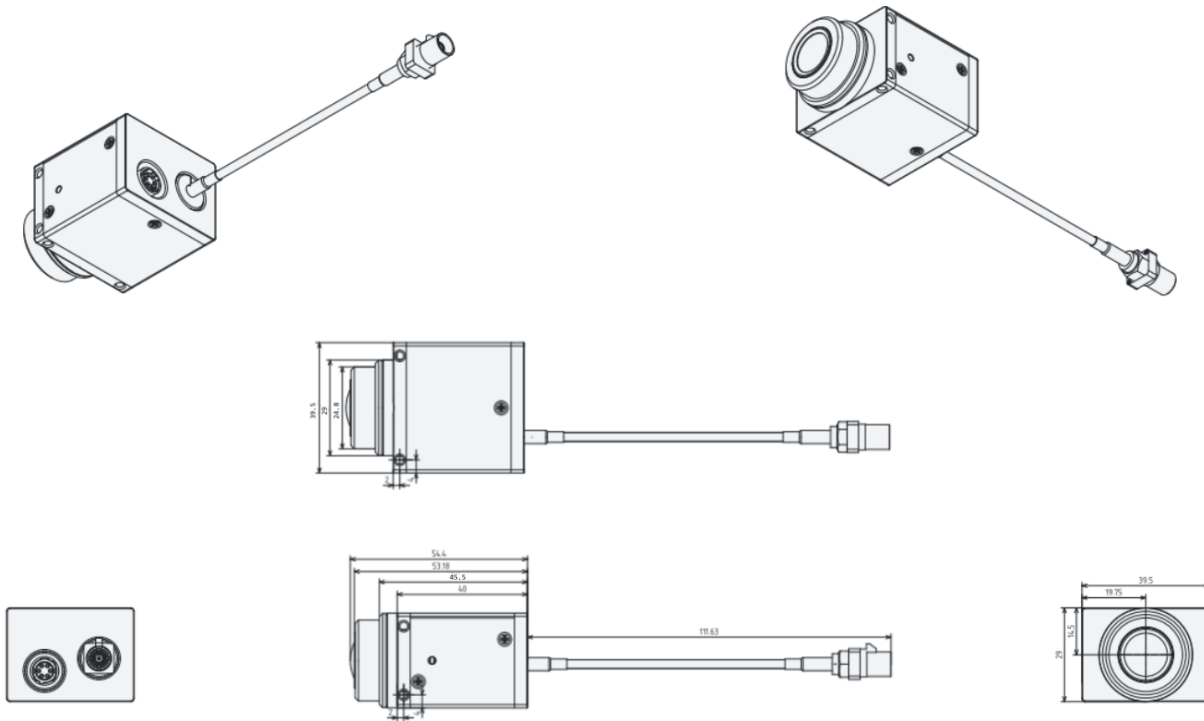
## Lens Specification



Lens Specification	Lens Mount	M12 (M12 x P0.5)
	View angle	148.4° (D) x 125.4° (H) x 67° (V)
	F-number	1.8
	TV-distortion	<-20.8%
	Construction	7G + IR
	Max image circle	Ø 7.62mm
	EFL	2.74mm
	Mechanical BFL	2.26mm
	TTL	22.5mm
	Cut frequency at 50%	650 ± 10nm
Depth of view	Focus @1.5m from 0.736m (Near) to Infinity (Far)	

## Dimensions

Unit: mm



## Front View



## Rear View



## Ordering Information

Part No.	Model Name	Description	Operation Temperature
96ICAM-300	CAM-2310-G	IMX415 with ISP / MAX9295, M12 / F1.8 / 148.4'(D) x 125.4'(H) x 67'(V), 8MP/30fps, rolling shutter	-20°C ~ 65°C

## Optional Item

Part No.	Description
1751000759-01	Cable Ant. FAKRA-Z/F FAKRA-Z/F RG174 BLK Length 1M
1751000804-01	Cable Ant. FAKRA-Z/F FAKRA-Z/F KS302 BLK Length 3M
1751000805-01	Cable Ant. FAKRA-Z/F FAKRA-Z/F KS302 BLK Length15M