

CAM-2320-G

4K GMSL
Industrial Camera



Features

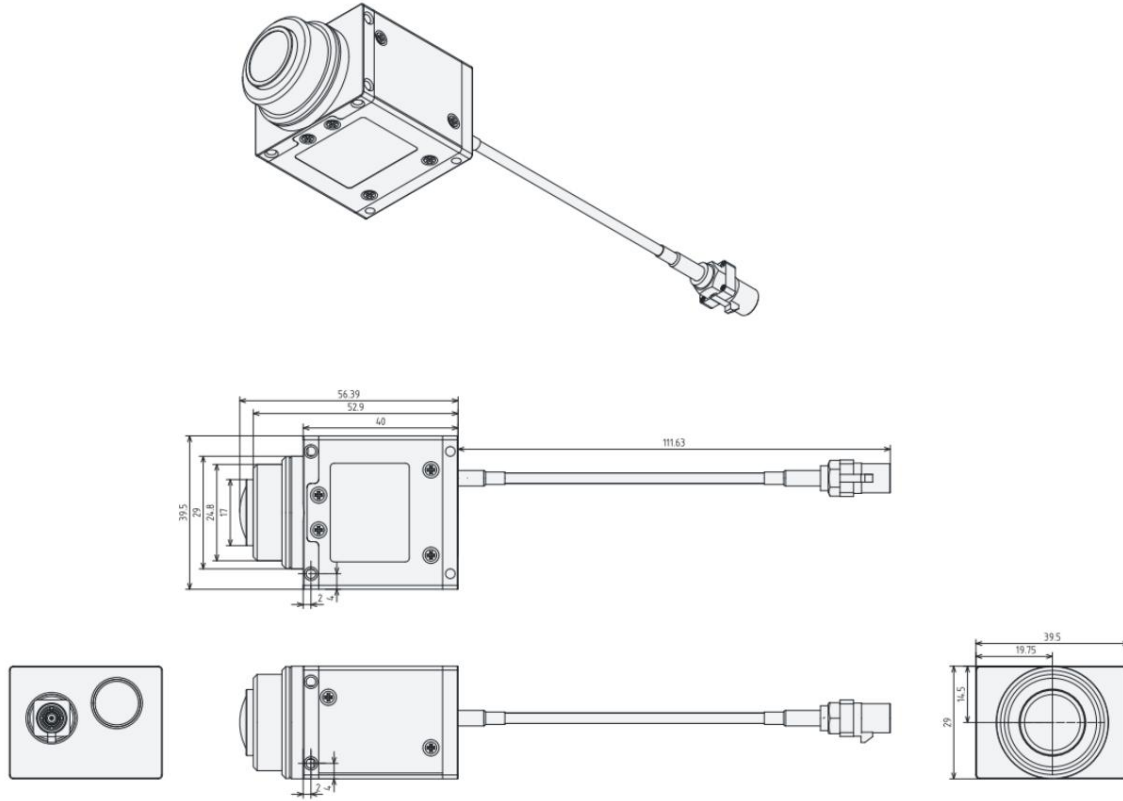
- GMSL2 camera interface
- 8M pixel (3840 x 2160) @ 30fps (4 lane)
- ONSEMI AR0822 CMOS sensor
- Rolling shutter

Specifications

General Specification	Dimension	29mm (W) x 39.5mm (H) x 56.4mm (D)
	Weight	87.38g
	Cable type/length	Fakra cable 10cm
	Sensor/Module Interface	SerDes
	Control Interface	I2C over SerDes
	Output format	YCbCr (External ISP)
	Output format (frame rate)	3840 x 2160 x 30fps / 1920 x 1080 x 30fps
	Operation temperature	-20°C ~ 65°C
	High Dynamic Range	HDR (2T)
	Power consumption	Mode: 3840 x 2160@30fps Idle: 0.19 W Work Max: 2.28 W Voltage: 12 V
Sensor Specification	Sensor	ONSEMI AR0822
	Shutter	Rolling shutter
	Sensor type	CMOS
	Mono/Color	Color
	Sensor size	1/1.8"
	Unit cell size	2.0µm (H) x 2.0µm (W)
	Active pixel	3840px (H) x 2160px (V) 4K2K
	Pixel bit depth	12bits
Sensor op temperature	-30°C ~ 85 °C	
Certifications	EMC/Safety	Compliance: CE/FCC Class A, RoHS

Dimensions

Unit: mm



Front View



Rear View



Ordering Information

Part No.	Model Name	Description	Operation Temperature
96ICAM-301	CAM-2320-G	AR0822 with ISP / MAX9295, M12/F1.8/130'(D) x 112'(H) x 62'(V), 8MP/30Fps 1/2.8" rolling shutter	-20°C ~ 65°C

Optional Item

Part No.	Description
1751000759-01	Cable Ant. FAKRA-Z/F FAKRA-Z/F RG174 BLK Length 1M
1751000804-01	Cable Ant. FAKRA-Z/F FAKRA-Z/F KS302 BLK Length 3M
1751000805-01	Cable Ant. FAKRA-Z/F FAKRA-Z/F KS302 BLK Length15M