

DLT-V7210 K

DLT-V7210 KD

Rugged, X86-Based Vehicle-Mounted Terminal with Integrated Keyboard



Features

- 10.1" widescreen WXGA color TFT display with 1280 x 800 resolution and 500 cd/m² brightness
- Intel® Atom® E3845 quad-core, 1.91 GHz, with 4 GB RAM
- Optional PCT defroster, ideal for cold chain and cold storage applications
- IK08-certified touchscreen for impact tolerance and abrasion resistance
- Full IP65 rating for protection from water and dust ingress
- 5M3 certification for shock and vibration tolerance
- Wide operating temperature range (-30 ~ 50 °C/-22 ~ 122 °F) to withstand extreme environments
- Integrated keyboard for convenient operation
- Optional uninterruptible power supply
- Supports Windows, Linux, and Android OS
- Certified with SOTI and Navis N4 software
- Equipped with DeviceOn/iService software for remote device management

DeviceOn/iService

Introduction

DLT-V7210 K series is a rugged vehicle-mounted terminal with integrated keyboard designed for logistics applications and to provide maximum system uptime. Powered by an Intel® Atom® E3845 quad-core, 1.91 GHz, processor with 4 GB RAM, DLT-V7210 K series supports a wide operating temperature range (-30 ~ 50 °C/-22 ~ 122 °F) to withstand operation in extreme industrial environments. DLT-V7210 KD also offers PCT defroster, which is ideal for cold chain and cold storage applications. The low-profile antenna offers excellent transmission capabilities in a compact form factor. Furthermore, the integrated user-friendly keyboard offers convenient operation and efficient data input. Meanwhile, the 10.1" widescreen WXGA color TFT display with touch control allows easy input and configurable touch sensitivity ensures easy operation with gloves.

Moreover, DLT-V7210 K series is equipped with Advantech's DeviceOn/iService software, which is a next-generation unified device management solution based on the WISE-DeviceOn platform. With support for batch operations and multi-device control, DeviceOn/iService enables easy device configuration and deployment for convenient remote device management.

Specifications

| | | |
|--------------------------|--|---|
| System | CPU | Intel® Atom® E3845 quad-core, 1.91 GHz, with 4 GB RAM |
| | Storage | 16 GB - 256 GB CFast |
| Dimensions (W x H x D) | 297.3 x 264.7 x 80 mm (11.7 x 10.42 x 3.15 in) | |
| Weight | 3.7 kg (8.2 lb) without battery pack/accessories | |
| Housing | Coated aluminum with completely sealed, fanless design | |
| Display | 10.1" widescreen WXGA color TFT display with 1280 x 800 resolution and 500 cd/m ² brightness | |
| Touchscreen | Type | Sunlight-readable PCT multi touchscreen with optional defroster function (touch sensitivity configurable for glove operation) |
| | Control Buttons/Keyboard | 12 x control buttons (6 of which are programmable) |
| Control Buttons/Keyboard | Front Panel | Full-size keyboard (55 keys) with number pad, illuminated keys, and changeable silicon mat; Supports on-site replacement |
| | Keyboard | Keyboard versions: DLT-V7210K(QWERTY,QWERTZ,AZERTY); DLT-V7210KD(QWERTY) |
| Software | Operating System | Windows 10 IoT Enterprise, Windows 7 Pro, WES7, Debian-based Linux, IGEL Linux, Android 9 |
| | Emulations (Third-Party) | VT100, VT220, IBM 5250, TN 3270, Citrix Client® |
| Communication | WLAN | WLAN IEEE 802.11 a/b/g/n/ac (optional) |
| | WWAN | WWAN (LTE, UMTS, HSPA+, GSM, GPRS, EDGE) (optional) |
| | LAN | Ethernet 10/100/1000 Mbit/s |
| | WPAN | Bluetooth 5.0 (optional) |
| I/O Interfaces | Serial | 2 x RS-232, COM1 with switchable 5 V _{DC} /RI |
| | USB | 4 x USB 2.0 (Hi-Speed™) bootable, 1 x service USB 3.0 (Super-Speed™) |
| | External Antennas | 1 x RSMA for WLAN, 1 x SMA for WWAN (optional) |
| Sensors | Accelerometer, Gyro (optional) | |
| Audio | 1 x integrated speaker | |
| Power Supply (Internal) | 12/24/48 V _{DC} nominal voltage with automatic Power On/Off function via vehicle ignition and optional uninterruptible power supply (20 minutes typical); battery life may vary according to load | |
| Environmental | IP Rating | IP65 rating for the entire system |
| | Operating Temperature | -30 ~ 50 °C (-22 ~ 122 °F) |
| | Relative Humidity | 10 to 90% at 40 °C (104 °F), non-condensing |
| | Shock/Vibration | 5M3 (EN 60721-3-5) and MIL-STD 810F (US highway truck vibration exposure) |
| Certification | Touchscreen Durability | IK 08 |
| | CE Immunity Class A, Emission Class B/FCC Class B (for EU and USA), CCC (for China) | |

Specifications Cont.

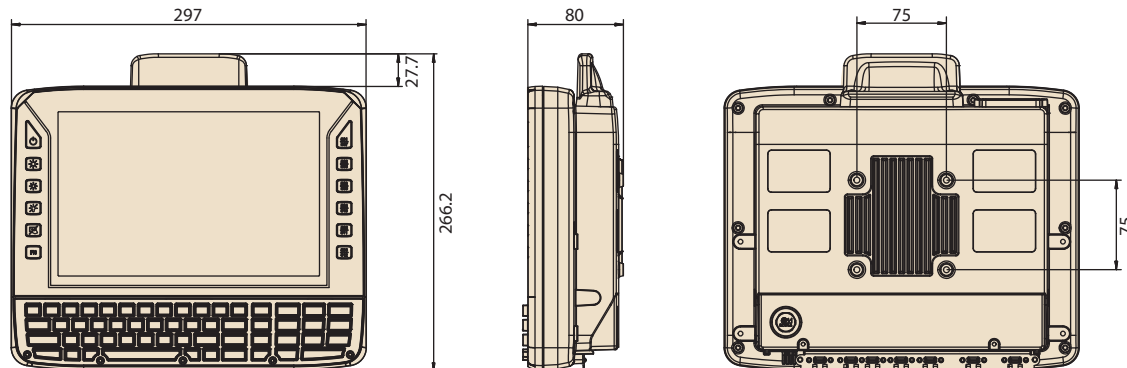
| | | | |
|--|------------------------------------|------------|------------|
| DeviceOn/iService Remote Device Management | Operating System | Windows 10 | Android 9 |
| | Common Controls (Reboot, Shutdown) | ✓ | ✓ |
| | Remote desktop | ✓ (VNC) | ✓ (VNC) |
| | Device-Specific Audio Control | ✓ | ✓ |
| | Connection Status | ✓ | ✓ |
| | Hardware Status | ✓* | ✓* |
| | Hard Disk Status | ✓* | ✓* |
| | Batch Operation Support | ✓ | ✓ |
| | OTA Storage Management | FTP | Local blob |
| | OTA Software Application Update | ✓ | ✓ |
| | Software Watchlist | ✓ | ✓ |
| | Software Start/Stop | ✓* | ✓ |
| | Kiosk Mode | ✓ | ✓ |
| | Peripherals Watchlist | ✓* | ✓* |

*Dependant on device model

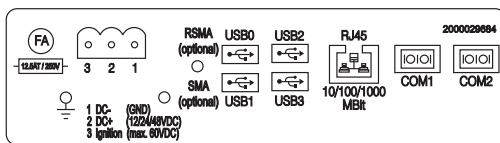
Note: DeviceOn/iService software must be downloaded from the Advantech website at <https://www.advantech.com/search/?q=DeviceOn%2FiService&st=support&sst=Utility>

Dimensions

Unit: mm



I/O Connectors

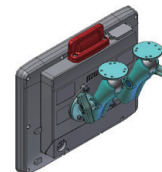


Mount Kit Options

RAM-Mount Set (one arm)



RAM-Mount Set (two arms)



Mobile Mounting Bracket



Ordering Information

For US Model

| Ordering PN | Description |
|--------------------|--|
| DLV7210-7XM410WFC0 | DLT-V72 Series, Embedded Keyboard, 10" Display, Projective Capacitive Touch, 4GB RAM, 64GB Storage, Windows 10 IoT, Wi-Fi, 12/24/48 V _{DC} , Uninterrupted Power Supply |
| DLV7210-7XM4A0WFC0 | DLT-V72 Series, Embedded Keyboard, 10" Display, Projective Capacitive Touch, 4GB RAM, 64GB Storage, Android 9, Wi-Fi, 12/24/48 V _{DC} , Uninterrupted Power Supply |

Further configurations on request

Optional Accessories

| Part Number | Description |
|-------------|---|
| DL-MTKT009 | Mounting bracket mobile |
| DL-MTRM004 | RAM-Mount Set, one arm, arm length 130mm |
| DL-MTRM003 | RAM-Mount Set, one arm, arm length 215mm |
| DL-MTRM001 | RAM-Mount Set, two arms, arm length 150mm |

Further configurations on request

DeviceOn/iService

Unified Remote Device Management Software



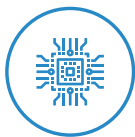
Features

- Supports Advantech devices equipped with Windows, Android, and Linux OS
- Flexible device, location, user, and permissions management
- Enables remote monitoring and control of hardware, software, and peripherals
- Supports over-the-air (OTA) firmware and software updates
- Ensures quick, easy, and secure device onboarding
- RESTful APIs for third-party system integration

Introduction

Advantech's DeviceOn/iService is a next-generation unified device management solution based on the WISE-DeviceOn platform. Designed to enable centralized monitoring and remote management, DeviceOn/iService supports Advantech devices equipped with Windows, Linux, or Android operating systems. The software also supports the management of applications and integrated peripherals, such as a barcode scanner, card reader, camera, and printer. Users can remotely access and control connected devices, take screenshots, rollout OTA upgrades, and use remote desktop capabilities for troubleshooting from any location at any time. Moreover, DeviceOn/iService supports batch operations to facilitate the management of multiple devices simultaneously for easy and convenient device configuration and deployment.

Total Management



Devices & Hardware

- Windows, Linux, Android
- Hardware, storage, battery



Software & Peripherals

- Software monitoring & access
- Screens, USB devices, printers



Open for Expansion

- Peripheral integration
- Open APIs for integration

Remote Access



Real-Time Monitoring

- Connection/hardware status
- Software/peripheral status
- Failure notifications



Remote Controls

- Power controls
- Audio, backlight controls
- Software controls



Troubleshooting

- Screenshots
- Remote desktop support

Operational Efficiency



OTA updates

- System/software updates
- File repository management
- App store



Batch Controls

- 1-to-many batch reboot, etc.
- Time-saving tasks



Setup Booster

- Software/peripheral watchlist
- Roles, rule templates

Note: Some functions may vary according to the product

System Architecture

