

DLT-V73A Series

Rugged RISC-Based Vehicle-Mounted Terminal



Features

- 10.4"/12.1" color TFT XGA display
- Qualcomm® Snapdragon™ 660 octa-core 2.2GHz CPU SC66
- IK08-certified touchscreen for impact tolerance and abrasion resistance
- Full IP66 rating for protection from water and dust ingress
- 5M3 shock and vibration resistance verified
- Wide operating temperature range (-30 ~ 50 °C / -22 ~ 122 °F) to withstand extreme environments
- Optional uninterruptible power supply via backup battery (up to 20 minutes of operation)
- Supports Android 12 with Google GMS & AER
- Certified with SOTI
- Supports Advantech DeviceOn software for remote device management

Introduction

Advantech's DLT-V73A series is a RISC-based industrial grade vehicle-mounted terminal (VMT), designed for the most demanding applications to provide maximum system uptime. The slim and compact design allows it to fit into the smallest of vehicle cabinets. The compact design not only saves in-vehicle installation space, but it also minimizes obstructions to road visibility, thereby improving driving safety. The DLT-V73A is designed to withstand operation in extreme industrial environments, whether it is hot and humid, or cold and dry. Moreover, DLT-V73A supports the Android 12 operating system with Google GMS and AER, making it an ideal VMT for a wide range of smart applications, such as warehouse management, port management, heavy-duty operations, and industrial manufacturing. The integrated WLAN Kit offers excellent wireless connectivity for uninterrupted data transmission. Meanwhile, the scratch-resistant touchscreen ensures easy input and enhanced gloved operation. To sum up, Advantech's DLT-V73A offers a rugged VMT solution, which supports Android 12 with GMS and enterprise features and ensures easy and cost-effective system migration and device management. This makes it easy for businesses to keep up with their existing needs and remain scalable for future upgrades.

Specifications

System	CPU	Qualcomm® Snapdragon™ 660 octa-core 2.2GHz CPU SC66, 4 GB LPDDR4X	
	Storage	64 GB eMMC internal, expandable 128 GB or 256 GB SD card	
Dimensions	DLT-V7310AP	268 x 267 x 57 mm (10.6 x 10.5 x 2.2 inch)	
	DLT-V7312AP	298 x 290 x 67 mm (11.7 x 11.4 x 2.6 inch)	
	DLT-V7312AP+	298 x 270 x 67 mm (11.7 x 10.6 x 2.6 inch)	
Weight	DLT-V7310AP	3.8 kg (8.4 lb)	
	DLT-V7312AP	4.6 kg (10.1 lb)	
	DLT-V7312AP+	4.4 kg (9.7 lb)	
Housing		Completely sealed, fanless design made of coated aluminum	
Display	DLT-V7310AP	10.4" XGA color TFT with 1024 x 768 resolution and 500 cd/m ² brightness, Aspect Ratio: 4:3	
	DLT-V7312AP / DLT-V7312AP+	12.1" XGA color TFT with 1024 x 768 resolution and 600 cd/m ² brightness, Aspect Ratio: 4:3	
Touchscreen	PCT Projective capacitive touchscreen	DLT-V7310AP with 10" XGA display, 12 keys DLT-V7312AP with 12" XGA display, 12 keys DLT-V7312AP+ with 12" XGA display, 3 keys	
Control Buttons	Front Panel 10" & 12"	12 x control buttons	
	Front Panel 12" P+	3 x control buttons	
OS	Operating System	Android 12 AOSP and Android 12 with Google GMS & AER**	
Communication	WLAN	WLAN diversity; IEEE 802.11 a/b/g/n/ac (Wi-Fi 5)	
	WWAN, GPS	WWAN (LTE, UMTS, HSPA+, GPS) (optional)	
	LAN	2 x LAN (10/100/1000 Mbit/s)	
	WPAN	Bluetooth 5.0	
	NFC	NFCIP-1 and NFCIP-2, ISO/IEC 14443, ISO/IEC 15693, MIFARE	
Interfaces	Serial	1 x COM RS-232: 5 V _{DC} / 12 V _{DC} / RI (switchable)	
	USB	2 x USB-A 3.2 Gen 1, 1 x USB-C 3.2 Gen 1, 1 x Service USB-C 3.2 Gen 1	
	External Antenna	1 x RSMA for WLAN, 1 x SMA for WWAN (optional), 1x SMA for GPS (optional)	
	AddOn Module (optional)		Available options (only one module at a time):
			1 x USB to Serial COM RS-232
			1 x USB to Serial COM RS-485
			1 x USB to Serial COM RS-422
		1 x USB-A 3.2 (Gen1)	
		1 x LAN (10/100/1000 Mbit)	
		1 x Digital I/O*	
		1 x CAN bus (CAN2.0/J1939/CAN FD)*	

* Feature under development

**End date of Android security updates support: December 2025, Frequency of security updates: Every 90 days

DLT-V73A Series

Sensors		1 x ambient light sensor for automatic brightness control 1 x Accelerometer 1 x Gyroscope
Audio		2 x integrated Stereo-Loudspeaker (2 x 2.5 W)
Power Supply		12/24/48 V _{DC} nominally Automatic Power On/Off function via vehicle ignition with optional UPS (20 minutes typical); battery life may vary according to load
Environmental	IP Rating	IP66 rating for the entire system
	Operating Temperature	-30 ~ 50 °C (-22 to 122 °F) for DLT-V73A system 0 ~ 40 °C (32 to 104 °F) for UPS functionality
	Storage Temperature	-30 ~ 65 °C (-22 ~ 149 °F) for DLT-V73A system -20 ~ 50 °C (-4 ~ 122 °F) for UPS
	Relative Humidity	10 to 90% at 40 °C (104 °F), non-condensing
	Shock/Vibration	5M3 (EN 60721-3-5) MIL-STD 810F (US highway truck vibration exposure)
	Touchscreen Durability	IK08
Certifications		CE Immunity Class A, Emission Class B/FCC Class B (for EU and USA), CCC (for China), UKCA, BIS & WPC (for India)
Software	Certified 3rd Party Software	SOTI, StayLinked
	Advantech Device Management Software	DeviceOn MDevice
	DLT M-suite pre-installed software package <ul style="list-style-type: none"> ▪ Free of charge ▪ Features may vary by model and OS 	MTouch MBlank MWedge MFocus Kiosk Mode Advantech Launcher

* Feature under development

Ordering Information

For Worldwide Models

PN	Model Name	OS	Display	Front Keys	Touch System	System
DLV7310-9PH1A0W000	DLT-V7310AP	Android 12 AOSP	10.4" XGA	12 keys	Capacitive Touch	Qualcomm® Snapdragon™ 660 octa-core 2.2GHz SC66, with 4G RAM LPDDR4X, 64GB eMMC, Wi-Fi 5, BT5.0 integrated antenna, RSMA plug for external antenna connection, and integrated power supply.
DLV7312-9PH1A0W000	DLT-V7312AP	Android 12 AOSP	12.1" XGA	12 keys	Capacitive Touch	Qualcomm® Snapdragon™ 660 octa-core 2.2GHz SC66, with 4G RAM LPDDR4X, 64GB eMMC, Wi-Fi 5, BT5.0 integrated antenna, RSMA plug for external antenna connection, and integrated power supply.
DLV7312-9QH1A0W000	DLT-V7312AP+	Android 12 AOSP	12.1" XGA	3 keys	Capacitive Touch	Qualcomm® Snapdragon™ 660 octa-core 2.2GHz SC66, with 4G RAM LPDDR4X, 64GB eMMC, Wi-Fi 5, BT5.0 integrated antenna, RSMA plug for external antenna connection, and integrated power supply.
DLV7310-9PH1G0W000	DLT-V7310AP	Android 12 GMS	10.4" XGA	12 keys	Capacitive Touch	Qualcomm® Snapdragon™ 660 octa-core 2.2GHz SC66, with 4G RAM LPDDR4X, 64GB eMMC, Wi-Fi 5, BT5.0, integrated antenna, RSMA plug for external antenna connection, and integrated power supply.
DLV7312-9PH1G0W000	DLT-V7312AP	Android 12 GMS	12.1" XGA	12 keys	Capacitive Touch	Qualcomm® Snapdragon™ 660 octa-core 2.2GHz SC66, with 4G RAM LPDDR4X, 64GB eMMC, Wi-Fi 5, BT5.0, integrated antenna, RSMA plug for external antenna connection, and integrated power supply.
DLV7312-9QH1G0W000	DLT-V7312AP+	Android 12 GMS	12.1" XGA	3 keys	Capacitive Touch	Qualcomm® Snapdragon™ 660 octa-core 2.2GHz SC66, with 4G RAM LPDDR4X, 64GB eMMC, Wi-Fi 5, BT5.0, integrated antenna, RSMA plug for external antenna connection, and integrated power supply.

For US Models

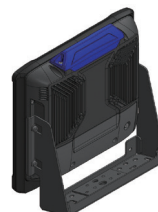
PN	Model Name	OS	Display	Front Keys	Touch System	System
DLV7310-9PH4G0W0C0	DLT-V7310AP	Android 12 GMS	10.4" XGA	12 keys	Capacitive Touch	Qualcomm® Snapdragon™ 660 octa-core 2.2GHz SC66, with 4G RAM LPDDR4X, 64GB eMMC, Wi-Fi 5, BT5.0, integrated antenna, RSMA plug for external antenna connection, integrated power supply, and additional UPS and quick-connect cable.
DLV7312-9PH4G0W0C0	DLT-V7312AP	Android 12 GMS	12.1" XGA	12 keys	Capacitive Touch	Qualcomm® Snapdragon™ 660 octa-core 2.2GHz SC66, with 4G RAM LPDDR4X, 64GB eMMC, Wi-Fi 5, BT5.0, integrated antenna, RSMA plug for external antenna connection, integrated power supply, and additional UPS and quick-connect cable.
DLV7312-9QH4G0W0C0	DLT-V7312AP+	Android 12 GMS	12.1" XGA	3 keys	Capacitive Touch	Qualcomm® Snapdragon™ 660 octa-core 2.2GHz SC66, with 4G RAM LPDDR4X, 64GB eMMC, Wi-Fi 5, BT5.0, integrated antenna, RSMA plug for external antenna connection, integrated power supply, and additional UPS and quick-connect cable.

Optional Accessories

Part Number	Description
DL-MTKT013	Mounting bracket mobile 15 grade fixed For V73
DL-MTRM004	RAM-Mount Set, one arm, arm length 130mm
DL-MTRM001	RAM-Mount Set, two arms, arm length 150mm
9768MDKT035	USB3.1 Type-C to USB3.0 Type-A female OTG 15cm cable

Mount Kit Options

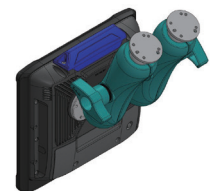
DL-MTKT013



DL-MTRM004



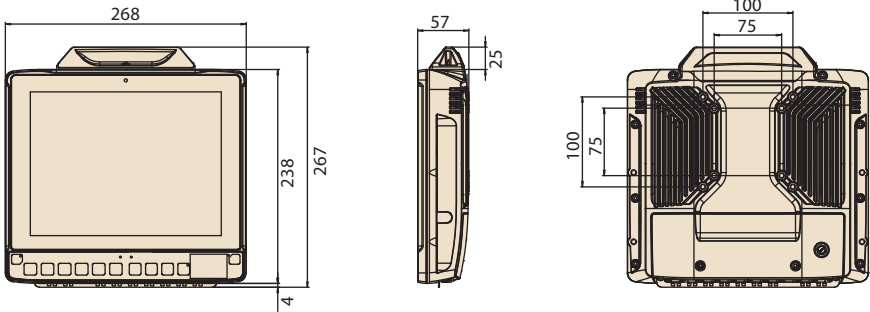
DL-MTRM001



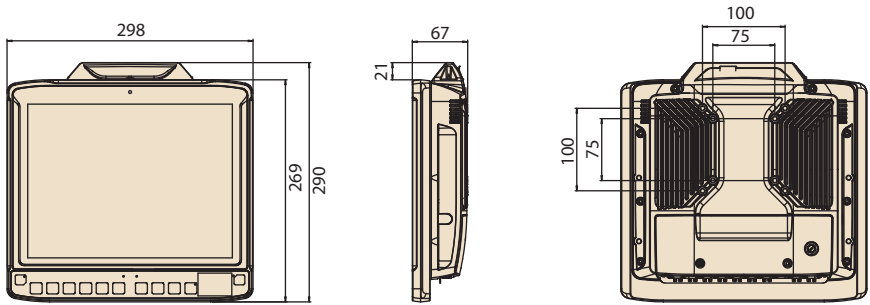
Dimensions

Unit: mm

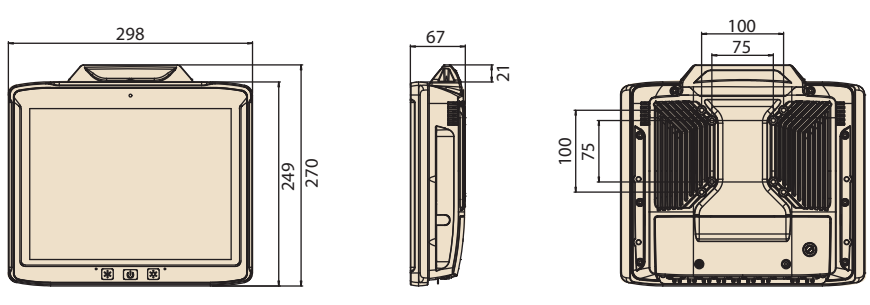
DLT-V7310AP



DLT-V7312AP



DLT-V7312AP+



I/O Connectors

