

DLT-V73A Series

Rugged RISC-Based Vehicle-Mounted Terminal



Features

- 10.4"/12.1" color TFT XGA display
- Qualcomm® Snapdragon™ 660 octa-core 2.2GHz CPU SC66
- IK08-certified touchscreen for impact tolerance and abrasion resistance
- Full IP66 rating for protection from water and dust ingress
- 5M3 shock and vibration resistance verified
- Wide operating temperature range (-30 ~ 50 °C / -22 ~ 122 °F) to withstand extreme environments
- Optional uninterruptible power supply via backup battery (up to 20 minutes of operation)
- Supports Android 12 with Google GMS & AER
- Certified with SOTI
- Equipped with DeviceOn software for remote device management

Introduction

Advantech's DLT-V73A series is a RISC-based industrial grade vehicle-mounted terminal (VMT), designed for the most demanding applications to provide maximum system uptime. The slim and compact design allows it to fit into the smallest of vehicle cabinets. The compact design not only saves in-vehicle installation space, but it also minimizes obstructions to road visibility, thereby improving driving safety. The DLT-V73A is designed to withstand operation in extreme industrial environments, whether it is hot and humid, or cold and dry. Moreover, DLT-V73A supports the Android 12 operating system with Google GMS and AER, making it an ideal VMT for a wide range of smart applications, such as warehouse management, port management, heavy-duty operations, and industrial manufacturing. The integrated WLAN Kit offers excellent wireless connectivity for uninterrupted data transmission. Meanwhile, the scratch-resistant touchscreen ensures easy input and enhanced gloved operation. To sum up, Advantech's DLT-V73A offers a rugged VMT solution, which supports Android 12 with GMS and enterprise features and ensures easy and cost-effective system migration and device management. This makes it easy for businesses to keep up with their existing needs and remain scalable for future upgrades.

Specifications

| | | | |
|-----------------|---------------------------------------|---|--|
| System | CPU | Qualcomm® Snapdragon™ 660 octa-core 2.2GHz CPU SC66, 4 GB LPDDR4X | |
| | Storage | 64 GB eMMC internal, expandable 128 GB or 256 GB SD card | |
| Dimensions | DLT-V7310AP | 268 x 267 x 57 mm (10.6 x 10.5 x 2.2 inch) | |
| | DLT-V7312AP | 298 x 290 x 67 mm (11.7 x 11.4 x 2.6 inch) | |
| | DLT-V7312AP+ | 298 x 270 x 67 mm (11.7 x 10.6 x 2.6 inch) | |
| Weight | DLT-V7310AP | 3.8 kg (8.4 lb) | |
| | DLT-V7312AP | 4.6 kg (10.1 lb) | |
| | DLT-V7312AP+ | 4.4 kg (9.7 lb) | |
| Housing | | Completely sealed, fanless design made of coated aluminum | |
| Display | DLT-V7310AP | 10.4" XGA color TFT with 1024 x 768 resolution and 500 cd/m ² brightness, Aspect Ratio: 4:3 | |
| | DLT-V7312AP / DLT-V7312AP+ | 12.1" XGA color TFT with 1024 x 768 resolution and 600 cd/m ² brightness, Aspect Ratio: 4:3 | |
| Touchscreen | PCT Projective capacitive touchscreen | DLT-V7310AP with 10" XGA display, 12 keys DLT-V7312AP with 12" XGA display, 12 keys DLT-V7312AP+ with 12" XGA display, 3 keys | |
| Control Buttons | Front Panel 10" & 12" | 12 x control buttons | |
| | Front Panel 12" P+ | 3 x control buttons | |
| OS | Operating System | Android 12 AOSP and Android 12 with Google GMS & AER** | |
| Communication | WLAN | WLAN diversity; IEEE 802.11 a/b/g/n/ac (Wi-Fi 5) | |
| | WWAN, GPS* | WWAN (LTE, UMTS, HSPA+, GPS) (optional) | |
| | LAN | 2 x LAN (10/100/1000 Mbit/s) | |
| | WPAN | Bluetooth 5.0 | |
| | NFC | NFCIP-1 and NFCIP-2, ISO/IEC 14443, ISO/IEC 15693, MIFARE | |
| Interfaces | Serial | 1 x COM RS-232: 5 V _{DC} / 12 V _{DC} / RI (switchable) | |
| | USB | 2 x USB-A 3.2 Gen 1, 1 x USB-C 3.2 Gen 1, 1 x Service USB-C 3.2 Gen 1 | |
| | External Antenna | 1 x RSMA for WLAN, 1 x SMA for WWAN (optional), 1x SMA for GPS (optional) | |
| | AddOn Module (optional) | | Available options (only one module at a time): |
| | | | 1 x USB to Serial COM RS-232 |
| | | | 1 x USB to Serial COM RS-485 |
| | | | 1 x USB to Serial COM RS-422 |
| | | 1 x USB-A 3.2 (Gen1) | |
| | | 1 x LAN (10/100/1000 Mbit) | |
| | | 1 x Digital I/O* | |
| | | 1 x CAN bus (CAN2.0/J1939/CAN FD)* | |

* Feature under development

**End date of Android security updates support: December 2025, Frequency of security updates: Every 90 days

DLT-V73A Series

| | | |
|----------------|---|---|
| Sensors | | 1 x ambient light sensor for automatic brightness control 1 x Accelerometer* 1 x Gyroscope* |
| Audio | | 2 x integrated Stereo-Loudspeaker (2 x 2.5 W) |
| Power Supply | | 12/24/48 V _{DC} nominally Automatic Power On/Off function via vehicle ignition with optional UPS (20 minutes typical); battery life may vary according to load |
| Environmental | IP Rating | IP66 rating for the entire system |
| | Operating Temperature | -30 ~ 50 °C (-22 to 122 °F) for DLT-V73A system 0 ~ 40 °C (32 to 104 °F) for UPS functionality |
| | Storage Temperature | -30 ~ 65 °C (-22 ~ 149 °F) for DLT-V73A system -20 ~ 50 °C (-4 ~ 122 °F) for UPS |
| | Relative Humidity | 10 to 90% at 40 °C (104 °F), non-condensing |
| | Shock/Vibration | 5M3 (EN 60721-3-5) MIL-STD 810F (US highway truck vibration exposure) |
| | Touchscreen Durability | IK08 |
| Certifications | | CE Immunity Class A, Emission Class B/FCC Class B (for EU and USA), CCC (for China), UKCA, BIS & WPC (for India) |
| Software | Certified 3rd Party Software | SOTI, Staylinked* |
| | Advantech Device Management Software | DeviceOn MDevice |
| | DLT M-suite pre-installed software package | MTouch MBlank MWedge |
| | <ul style="list-style-type: none"> ▪ Free of charge ▪ Features may vary by model and OS | MFocus Kiosk Mode** Advantech Launcher** |

* Feature under development

** Feature to be released in MR4 (Maintenance release of Q4)

Ordering Information

For Worldwide Models

| PN | Model Name | OS | Display | Front Keys | Touch System | System |
|--------------------|--------------|-----------------|-----------|------------|------------------|--|
| DLV7310-9PH1A0W000 | DLT-V7310AP | Android 12 AOSP | 10.4" XGA | 12 keys | Capacitive Touch | Qualcomm® Snapdragon™ 660 octa-core 2.2GHz SC66, with 4G RAM LPDDR4X, 64GB eMMC, Wi-Fi 5, BT5.0 integrated antenna, RSMA plug for external antenna connection, and integrated power supply. |
| DLV7312-9PH1A0W000 | DLT-V7312AP | Android 12 AOSP | 12.1" XGA | 12 keys | Capacitive Touch | Qualcomm® Snapdragon™ 660 octa-core 2.2GHz SC66, with 4G RAM LPDDR4X, 64GB eMMC, Wi-Fi 5, BT5.0 integrated antenna, RSMA plug for external antenna connection, and integrated power supply. |
| DLV7312-9QH1A0W000 | DLT-V7312AP+ | Android 12 AOSP | 12.1" XGA | 3 keys | Capacitive Touch | Qualcomm® Snapdragon™ 660 octa-core 2.2GHz SC66, with 4G RAM LPDDR4X, 64GB eMMC, Wi-Fi 5, BT5.0 integrated antenna, RSMA plug for external antenna connection, and integrated power supply. |
| DLV7310-9PH1G0W000 | DLT-V7310AP | Android 12 GMS | 10.4" XGA | 12 keys | Capacitive Touch | Qualcomm® Snapdragon™ 660 octa-core 2.2GHz SC66, with 4G RAM LPDDR4X, 64GB eMMC, Wi-Fi 5, BT5.0, integrated antenna, RSMA plug for external antenna connection, and integrated power supply. |
| DLV7312-9PH1G0W000 | DLT-V7312AP | Android 12 GMS | 12.1" XGA | 12 keys | Capacitive Touch | Qualcomm® Snapdragon™ 660 octa-core 2.2GHz SC66, with 4G RAM LPDDR4X, 64GB eMMC, Wi-Fi 5, BT5.0, integrated antenna, RSMA plug for external antenna connection, and integrated power supply. |
| DLV7312-9QH1G0W000 | DLT-V7312AP+ | Android 12 GMS | 12.1" XGA | 3 keys | Capacitive Touch | Qualcomm® Snapdragon™ 660 octa-core 2.2GHz SC66, with 4G RAM LPDDR4X, 64GB eMMC, Wi-Fi 5, BT5.0, integrated antenna, RSMA plug for external antenna connection, and integrated power supply. |

For US Models

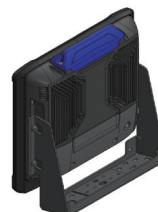
| PN | Model Name | OS | Display | Front Keys | Touch System | System |
|--------------------|--------------|----------------|-----------|------------|------------------|--|
| DLV7310-9PH4G0W0C0 | DLT-V7310AP | Android 12 GMS | 10.4" XGA | 12 keys | Capacitive Touch | Qualcomm® Snapdragon™ 660 octa-core 2.2GHz SC66, with 4G RAM LPDDR4X, 64GB eMMC, Wi-Fi 5, BT5.0, integrated antenna, RSMA plug for external antenna connection, integrated power supply, and additional UPS and quick-connect cable. |
| DLV7312-9PH4G0W0C0 | DLT-V7312AP | Android 12 GMS | 12.1" XGA | 12 keys | Capacitive Touch | Qualcomm® Snapdragon™ 660 octa-core 2.2GHz SC66, with 4G RAM LPDDR4X, 64GB eMMC, Wi-Fi 5, BT5.0, integrated antenna, RSMA plug for external antenna connection, integrated power supply, and additional UPS and quick-connect cable. |
| DLV7312-9QH4G0W0C0 | DLT-V7312AP+ | Android 12 GMS | 12.1" XGA | 3 keys | Capacitive Touch | Qualcomm® Snapdragon™ 660 octa-core 2.2GHz SC66, with 4G RAM LPDDR4X, 64GB eMMC, Wi-Fi 5, BT5.0, integrated antenna, RSMA plug for external antenna connection, integrated power supply, and additional UPS and quick-connect cable. |

Optional Accessories

| Part Number | Description |
|-------------|--|
| DL-MTKT013 | Mounting bracket mobile 15 grade fixed For V73 |
| DL-MTRM004 | RAM-Mount Set, one arm, arm length 130mm |
| DL-MTRM001 | RAM-Mount Set, two arms, arm length 150mm |
| 9768MDKT035 | USB3.1 Type-C to USB3.0 Type-A female OTG 15cm cable |

Mount Kit Options

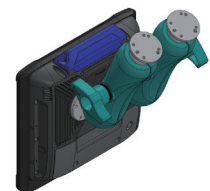
DL-MTKT013



DL-MTRM004



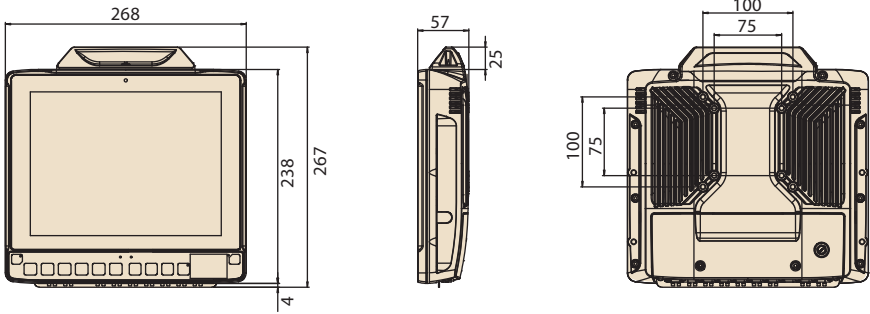
DL-MTRM001



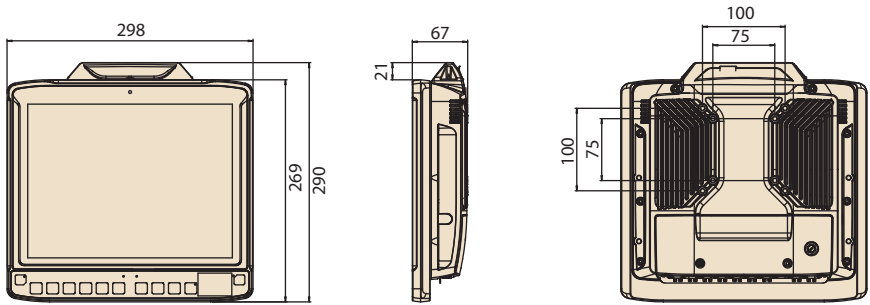
Dimensions

Unit: mm

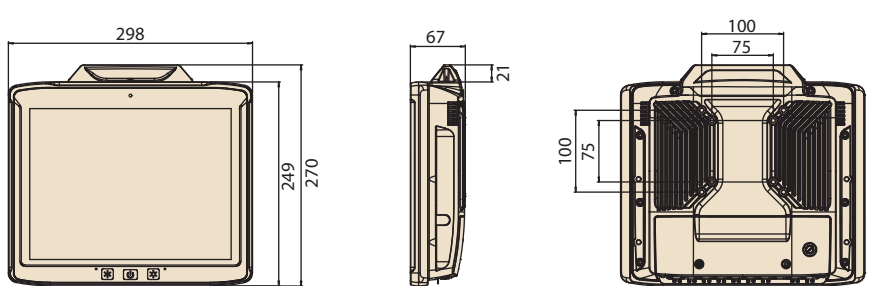
DLT-V7310AP



DLT-V7312AP



DLT-V7312AP+



I/O Connectors

