

DS-410

Palm-sized DS Player and mini-PC



Introduction

DS-410 is a palm-sized mini PC that is suitable for hospitality and signage applications. Equipped with a small thermal footprint & thin design. It is able to be installed in narrow spaces. Designed with a robust aluminum case, providing excellent thermal dissipation & rugged applications.

Specifications

		DS-410GB-U0A1E	DS-410GB-U1A1E
Processor	Chipset	Intel Elkhart Lake, 4 Cores J6412, 2.0 Ghz	
	BIOS	AMI uEFI 256 Mbit	
Memory	Technology	LPDDR4 3733Mhz	
	Max. Capacity	4GB on Board	8GB on Board
	Socket	On Board Memory	
CPU TDP		8W	8W
Thermal Solution		Fanless	
Display	Graphics Engine	Intel UHD graphics	
	Output	1 x HDMI 2.0 (4K) (CEC BOM option); 1 x VGA	
	HDMI Resolution	3840 x 2160 @ 60Hz	
Ethernet	Controller	Realtek RTL8119I	
	Interface	Gigabit LAN Controller	
	Connector	2 x RJ-45	
I/O Interfaces	Audio	via HDMI	
	LAN (RJ-45)	2	
	USB	2 x USB 3.0	
	Serial Port (RS-232)	2 x RS232 (in RJ11 Conn.)	
	Remote Switch	Power on/off pins (in RJ11 Conn.)	
	LED Indicators	1 x Power, 1 x HDD Access	
Storage	M.2	2242 M Key (SATA)	
WiFi & BT	M.2	2230 E Key	
Power Requirement	Power Management	ACPI 3.0	
	Input Voltage	19 V DC-in (ATX/AT mode)	
Watchdog Timer	Output	Interrupt, system reset	
	Interval	255-level timer interval, setup by software	
Physical Characteristics	Mounting	Wall Mount (Optional); Din Rail (Optional)	
	Dimensions (W x D x H)	124 x 116 x 26 mm	
	Weight	0.41 kg	
Environment	Operating Temperature	0~40°C (with 0.7m/s air flow); 0~35°C (without air flow)	
	Out Case Temperature	60 °C (Full loading at room temperature)	
	Relative Humidity	95% @ 40 °C (non-condensing), operating	
Operating System	Operating System	Win10 x64	
	Linux	supported by project	
Certifications	EMC	CE/FCC Class B, BSMI, UKCA, CE-RED	
	Safety	UL, CB, BSMI	

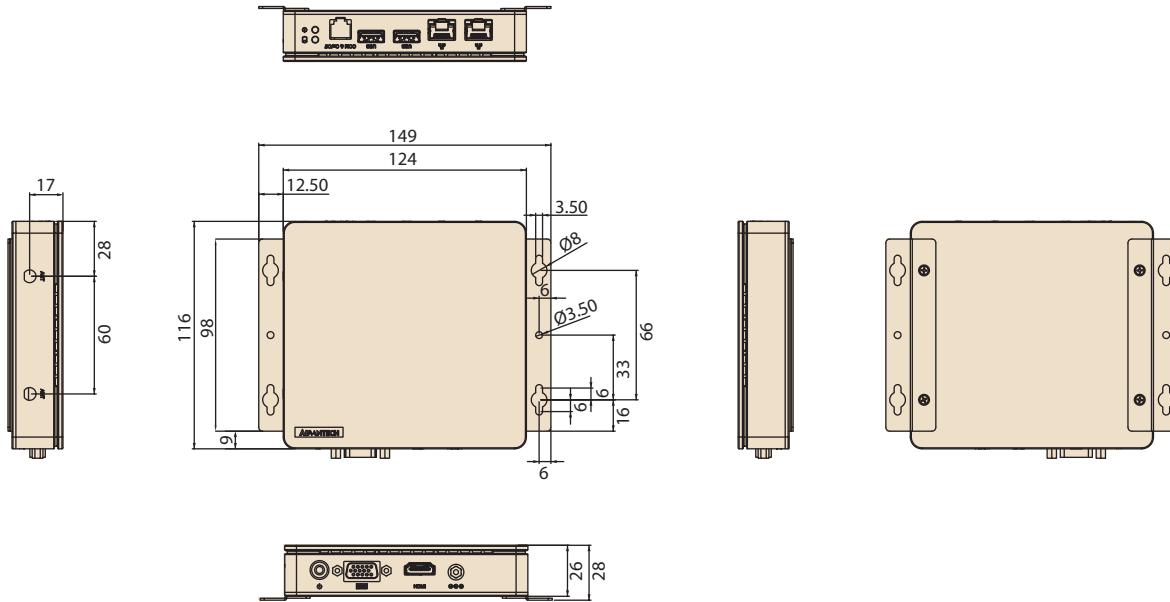
Features

- Power by New Intel Elkhart Lake J6412 CPU
- Gorgeous Design by Aluminum Die-casting Process
- Support HDMI 2.0 up to 4K(3840 x 2160), and Legacy VGA display
- 2 x Gb LAN Ports, 2 x RS232 in RJ11 Ports
- Power Off / Restart system easily through DeviceOn Dashboard
- Realtime and Smart System Alert Monitoring, and Watchdog Support

McAfee Acronis WISE-PaaS/SignageCMS WISE-DeviceOn

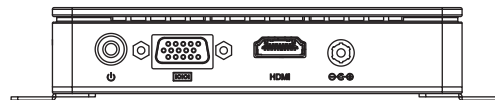
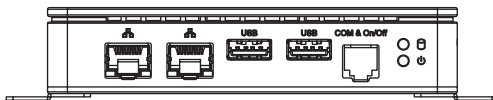
Dimensions

Unit: mm



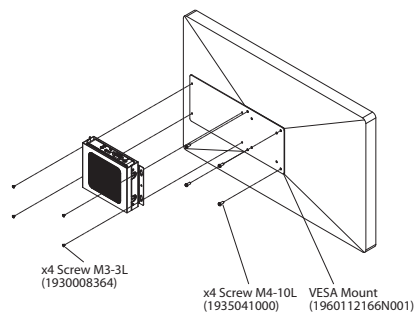
Front View

Rear View

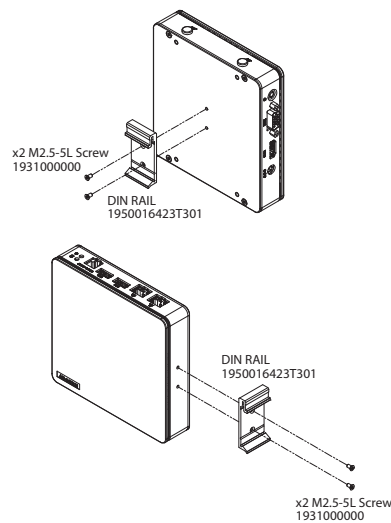


Installation Scenarios

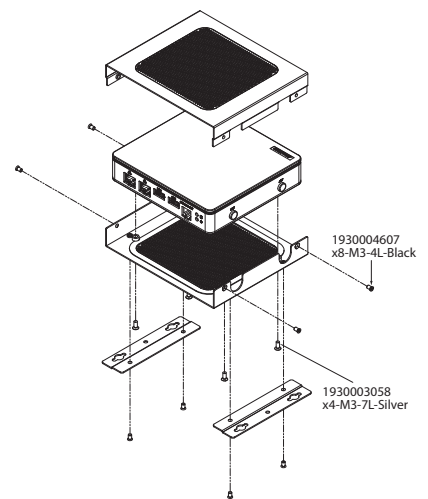
VESA Mount



Din Rail



Protection Kit



Ordering Information

Part Number	Description
DS-410GB-U0A1E	DS-410, J6412, Barebones, 4GB LPDDR4
DS-410GB-U1A1E	DS-410, J6412, Barebones, 8GB LPDDR4
DS-410GB-U2A1E	DS-410, J6412, 8GB LPDDR4, 64GB SSD, WIFI6, WIN 10
DS-410GB-U0A1U	DS-410, J6412, Barebones, 4GB LPDDR4, for US
DS-410GB-U1A1U	DS-410, J6412, Barebones, 8GB LPDDR4, for US
DS-410GB-U2A1U	DS-410, J6412, 8GB LPDDR4, 64GB SSD, WIFI6, WIN 10, for US

Packing List

Part Number	Description
-	1 x DS-410
96PSA-A65W19V1-3	1 x 19V Power adapter
-	1 x China RoHS
-	4 x Rubber foot and screws
1960108401N001	2 x Mount racket
1930001241	4 x screws for mount racket

Storage

Part Number	Description
SQF-S4BV1-64GDSDC	Storage M.2 2242 SQ TLC 64G
SQF-S4BV1-128GDSDC	Storage M.2 2242 SQ TLC 128G
SQF-S4BV1-256GDSDC	Storage M.2 2242 SQ TLC 256G
SQF-S4BV2-512GDSDC	Storage M.2 2242 SQ TLC 512G

Embedded OS

Part Number	Description
20706WX1ES0021	Win10 2021 EN, 64b Entry
20706WLE1S0001	Win11 IoT LTSC EN, 64b, Entry
20706WXE1S0006	Win11 IoT GAC EN, 64b Entry
20706U22DS0010	Ubuntu 22.04 EN, 64b
Y4P0410000-96	Chrome Flex v-110 EN, 64b

Power Cord

Part Number	Description
1700001524	3-pin power cord (US)
170203183C	3-pin power cord (EU)
170203180A-01	3-pin power cord (UK)
1700008921	3-pin power cord with PSE (Japan)
1700019146	3-pin power cord (CCC)
1700018553	3-pin power cord (AU)
1700024849-01	3-pin power cord (TW)

Optional Items

Part Number	Description
1700034193-01	RJ11 cable with RS232 x2 and Power On/off, 2 Meter for testing
1960112166N001	DS-410 VESA bracket, use with AMK-V034E
AMK-V033E	DS-410 Wall mount with Din Rail
AMK-V034E	DS-410 Top mesh Protection kit