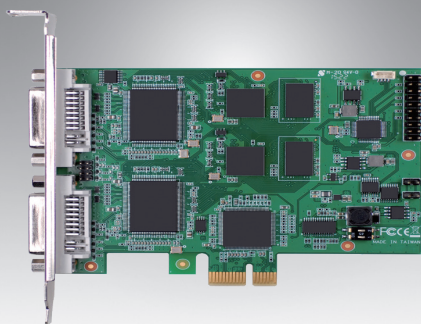


DVP-7021HE

2-ch Full HD H.264/MPEG4 PCIe Video Capture Card with SDK

NEW



Features

- 2-channel HDMI/DVI/VGA/S-Video/YPbPr video inputs with H.264/MPEG4 software compression
- 60/50 fps (NTSC/PAL) at up to 1920 x 1080p resolution for recording and display for each channel
- PCIe x1 host interface
- Supports Watchdog function
- Windows/Linux OS supported

FCC CE RoHS

Introduction

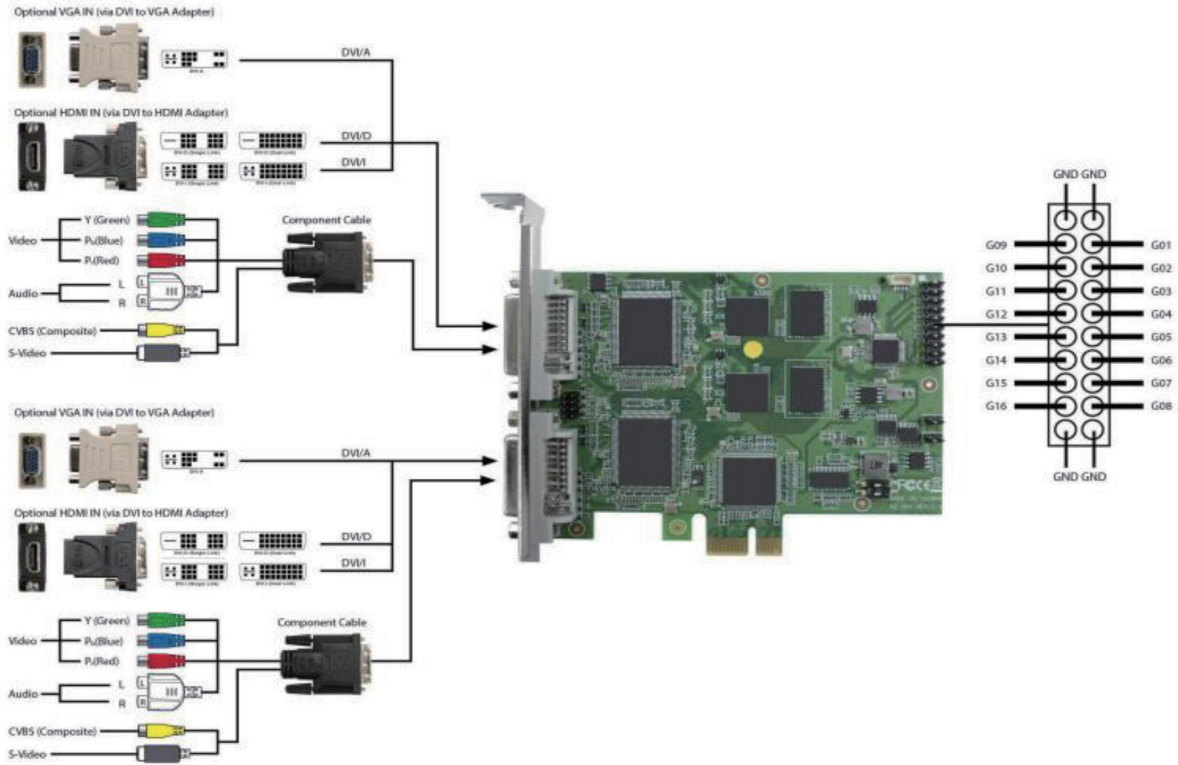
DVP-7021HE is a PCIe-bus, software compression video capture card with 2ch HDMI/DVI/VGA/S-Video/YPbPr video and 2ch audio inputs. DVP-7021HE supports H.264/MPEG4 compression format at up to Full HD 1080p for each channel. With an easy-to-use software development kit (SDK) and the flexibility to stack multiple cards, DVP-7021HE is an ideal solution for various video capture applications.

Specifications

Video	Video Standard	HDMI/DVI/VGA/S-Video/YPbPr
	Video Input	2 x HDMI/DVI/VGA/S-Video/YPbPr
	Compression	S/W H.264 / MPEG4
	Max. Display Rate	60/50 fps (NTSC/PAL) @ 1920 x 1080p/ch
	Max. Recording Rate	60/50 fps (NTSC/PAL) @ 1920 x 1080p/ch
Audio	Audio Input	2 x HDMI/ 2 x RCA
	Format	Stereo, 16-bit, 32 ~ 48 kHz
System Requirements	CPU (Display)	Intel® Core™ 2 Duo E2200 2.2 GHz
	CPU (Recording)*	Intel® Core™ 2 Quad Q9400 2.6 GHz
	Memory	2 GB
	VGA	1024 x 768, DirectX 9.0c
	Operating System	Windows XP/XPe/Vista/7/8/8.1/10; Linux 2.6.14 or higher
Physical Characteristics	Host Interface	PCIe x1
	Operating Temperature	-20 ~ 70 °C (-4 ~ 158 °F)
	Storage Temperature	-40 ~ 85 °C (-40 ~ 185 °F)
	Dimension (L x H)	108 x 85 mm (4.2" x 3.3")
	Safety	CE/FCC

*For high quality full HD video recording at max. recording rate, Intel Sandy Bridge processor or above and Win7 OS are recommended.

Connection Diagram



Ordering Information

Part Number	Description
DVP-7021HE	2-ch Full HD H.264/MPEG4 PCIe Video Capture Card with SDK

Packing List

Item	Amount
DVP-7021HE Capture Card	1 (piece)
DVI to YPbPr / AV / S-video cable	2 (piece)