

EAI-3101

PCIe x16 Intel Arc A380E Embedded GPU Card with 4x DP1.4a

NEW



Features

- Intel Arc A380E with 8 Xe-cores, support up to PCI Express 4.0 x8
- PCIe x16 GPU Card Design easy to fit diverse AI applications
- GPU Clock 2000 MHz Base Clock, GDDR6 6GB 96 bit Memory
- High Resolution 8K DP1.4a x4
- Smart Fan Control by GPU Temperature Automatically
- 0-55°C Working Temperature support
- Advantech Edge AI SDK and Intel OpenVINO support
- AV1, DirectX12, OpenGL 4.6, OpenCL 3.0, H.264/H.265 (HEVC) hardware encode/decode support

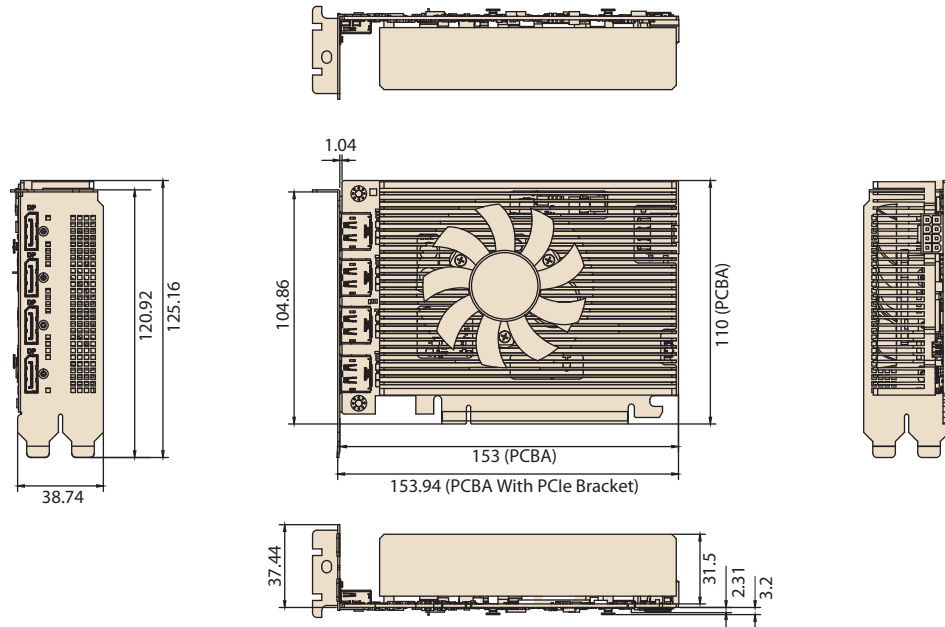


Specification

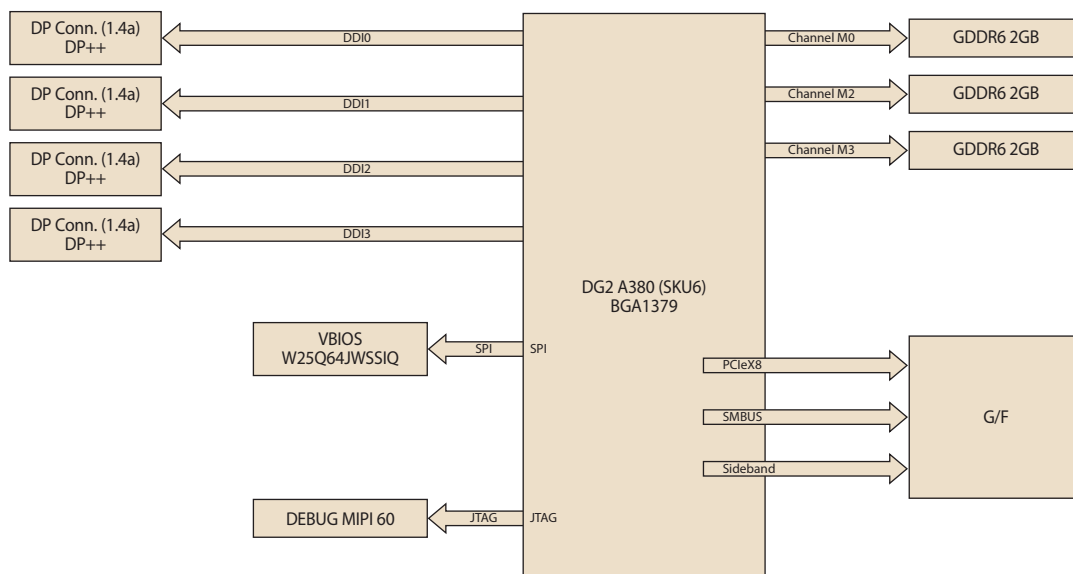
| | | EAI-3101-41A1 |
|-----------------------|------------------------|---|
| Processor System | GPU | Intel Arc A380E |
| | Microarchitecture | Xe HPG |
| | Xe-cores | 8 |
| | Intel XMX Engines | 128 |
| | Graphics Clock | 2000 MHz |
| | FP32 Performance | 5.018 TFLOPS |
| Memory | Size | 6 GB |
| | Type | GDDR6 |
| | Interface | 96 bit |
| | Bandwidth | 186 GB/s |
| | Speed | 15.5 Gbps |
| Graphics | DP | 4x DisplayPort1.4a |
| | DP Max Resolution | 7680 x 4320@60Hz |
| | Quad Display | Yes, 4x DP |
| | Graphics Engine | DirectX12, OpenGL 4.6, OpenCL 3.0 HW Encode: H.264/H.265(HEVC)/AV1 HW Decode: H.264/H.265(HEVC)/AV1/VP9 |
| Signal Interface | PCI Express | PCI Express 4.0 x16 (PCIe x8 signal) |
| Power | Max Power Consumption | 85W |
| Operating Environment | Temperature | 0 - 60°C (depends on GPU and cooler solution) |
| | Humidity | 40 °C @ 95% relative humidity (non-condensing) |
| Thermal Solution | Cooling | Active Fan 12V,4 pin PH 1.25mm connector |
| Physical | Dimensions (L x H x W) | 152 x 110 x 34.8 mm (Dual Slot) |
| | Form Factor | PCI Express 4.0 x16 |
| | Power Connector | 8-pin Power input |
| | Power Range | DC 12V input |
| OS | Linux | Ubuntu 22.04 LTS |
| | Windows | Windows 11, 10 64bit |

Dimensions

Unit: mm



Block Diagram



Ordering Information

| Part Number | Description |
|---------------|--|
| EAI-3101-41A1 | Intel Arc Desktop A380E GPU card, PCIe x16 |