

EAI-3101

PCIe x16 Intel Arc A380E Embedded GPU Card with 4x DP1.4a

NEW



Features

- Intel Arc A380E with 8 Xe-cores, support up to PCI Express 4.0 x8
- PCIe x16 GPU Card Design easy to fit diverse AI applications
- GPU Clock 2000 MHz Base Clock, GDDR6 6GB 96 bit Memory
- High Resolution 8K DP1.4a x4
- Smart Fan Control by GPU Temperature Automatically
- 0-60°C Working Temperature support
- Advantech Edge AI SDK and Intel OpenVINO support
- AV1, DirectX12, OpenGL 4.6, OpenCL 3.0, H.264/H.265 (HEVC) hardware encode/decode support

EdgeAI
SDK

OpenVINO



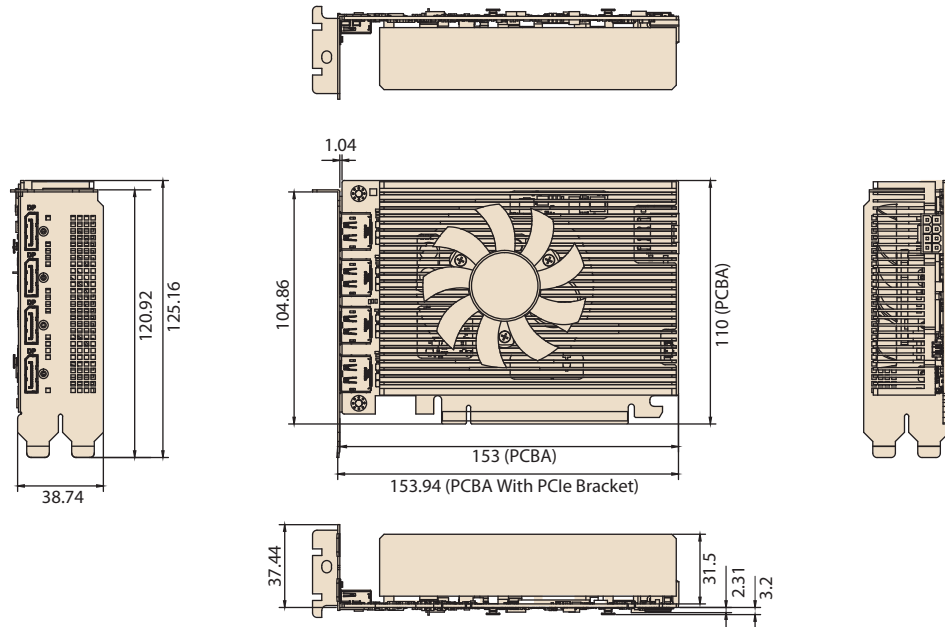
FC CE

Specification

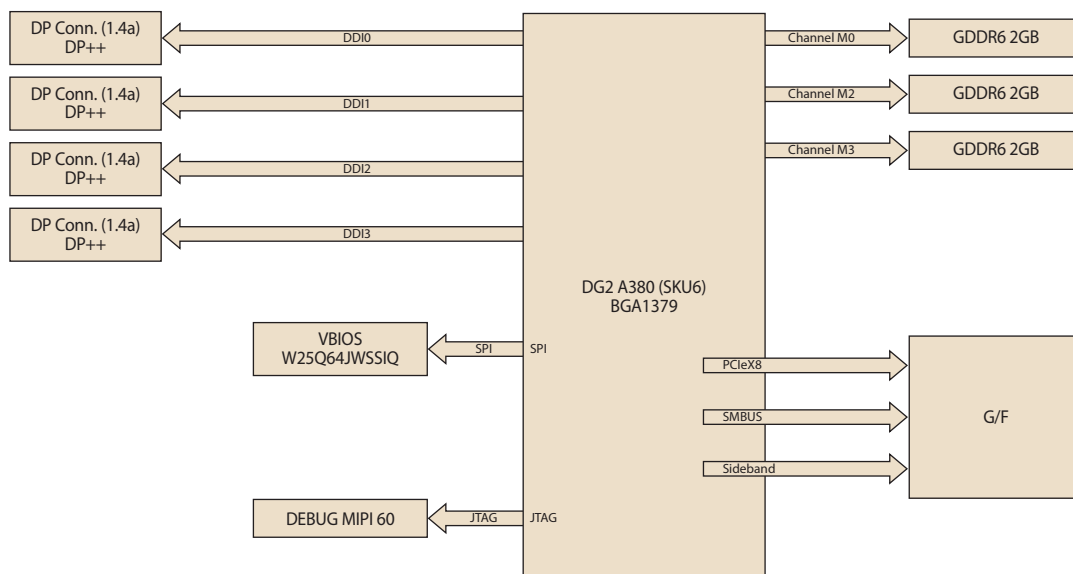
		EAI-3101-41A1
Processor System	GPU	Intel Arc A380E
	Microarchitecture	Xe HPG
	Xe-cores	8
	Intel XMX Engines	128
	Graphics Clock	2000 MHz
	FP32 Performance	5.018 TFLOPS
Memory	Size	6 GB
	Type	GDDR6
	Interface	96 bit
	Bandwidth	186 GB/s
	Speed	15.5 Gbps
Graphics	DP	4x DisplayPort1.4a
	DP Max Resolution	7680 x 4320@60Hz
	Quad Display	Yes, 4x DP
	Graphics Engine	DirectX12, OpenGL 4.6, OpenCL 3.0 HW Encode: H.264/H.265(HEVC)/AV1 HW Decode: H.264/H.265(HEVC)/AV1/VP9
Signal Interface	PCI Express	PCI Express 4.0 x16 (PCIe x8 signal)
Power	Max Power Consumption	85W
	Typical Power Consumption	75W
Operating	Temperature	0 - 60°C
Environment	Humidity	40 °C @ 95% relative humidity (non-condensing)
Thermal Solution	Cooling	Active Fan 12V,4 pin PH 1.25mm connector
Physical	Dimensions (L x H x W)	152 x 110 x 34.8 mm (Dual Slot)
	Form Factor	PCI Express 4.0 x16
	Power Connector	8-pin Power input (required)
	Power Range	DC 12V input
OS	Linux	Ubuntu 22.04 LTS
	Windows	Windows 11, 10 64bit

Dimensions

Unit: mm



Block Diagram



Ordering Information

Part Number	Description
EAI-3101-41A1	Intel Arc Desktop A380E GPU card, PCIe x16