

# EAI-3931

## Intel ARC PRO B60 PCIe GPU Card

NEW



### Features

- 197 TOPS (INT8) driven by Intel ARC PRO B60
- Equipped with 24 GB GDDR6 memory
- Supports up to 8K high-resolution output
- Features 4x DisplayPort 2.1 ports
- Supports VULKAN™ 1.3, DirectX® 12, OpenGL™ 4.6, OpenCL™ 3.0
- PCIe x16 form factor easy to fit diverse AI applications



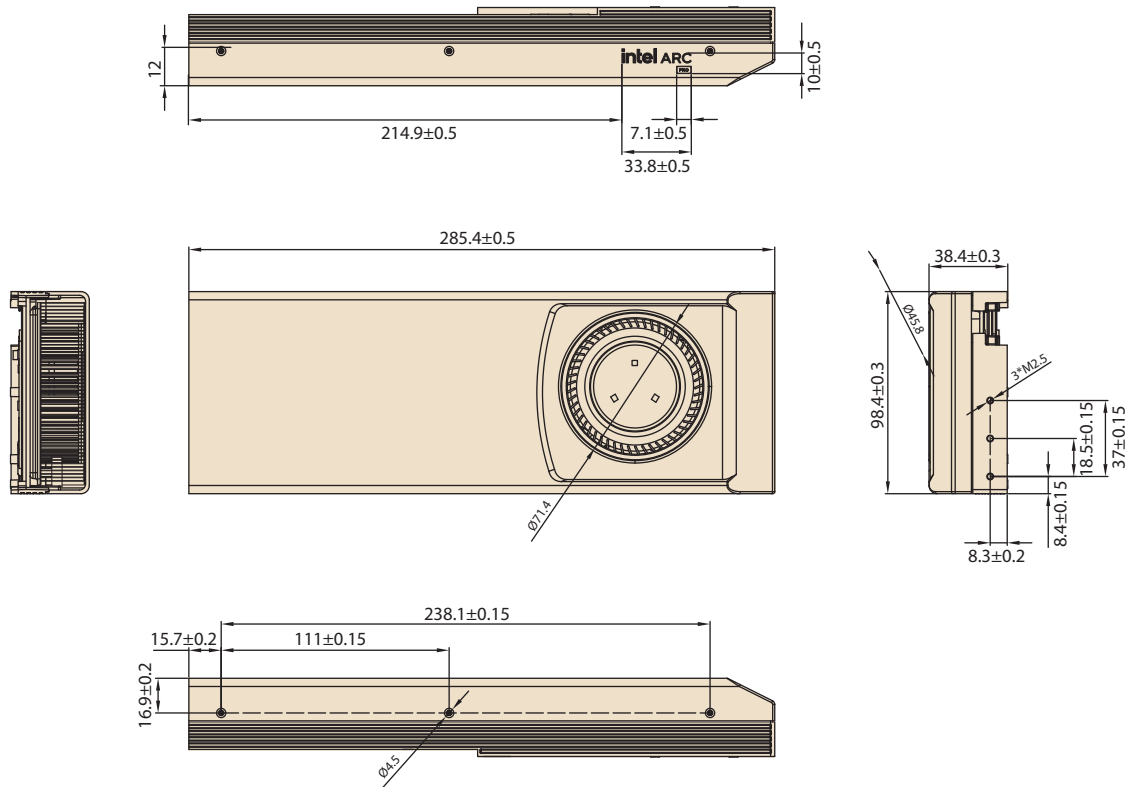
FC CE

### Specification

		EAI-3931-71D1U
Processor	GPU	Intel® ARC PRO B60
	GPU Clock	2400 MHz
	Intel® XMX Engines	160
	Peak Performance	INT8: 197 TOPS FP32: 12.28 TFLOPS
Memory	Size	24 GB
	Type	GDDR6
	Bandwidth	456 GB/s
Graphics	Display Interface	4x DisplayPort 2.1
	Max. Resolution	7680 x 4320
	API	VULKAN™ 1.3, DirectX® 12, OpenGL™ 4.6, OpenCL™ 3.0
	Codec	AV1, VP9, H.265 (HEVC), H.264 (AVC)
Signal Interface	PCI Express	PCIe Gen5 x8
Power	Power Consumption	200W
Operating	Temperature	0 - 45°C
Thermal Solution	Cooling	Active, 1x blower fan
Physical	Form Factor	PCIe x16
	Dimensions	112 x 289 x 42 mm (dual slots)
	Power Connector	PCIe 8-pin (required)
Software Support	Windows	Windows 11, 10 64bit
	Linux	Ubuntu 22.04 LT

## Dimensions

Unit: mm



## Ordering Information

Part Number	Description
EAI-3931-71D1U	Intel® PCIe x16, ARC PRO B60 GPU Card