

ECU-1051

Cloud enabled Intelligent Communication Gateway for IIOT application

NEW



Features

- TI Cortex A8 processor
- 2 x RS-232/485 serial ports
- 2 x 10/100 Ethernet ports
- 1 x Mini-PCle for WIFI/Cellular/4G
- Support web service for remotely on-line monitoring
- Supports SD cards and OTA firmware updates
- EdgeLink IoT software for data acquisition and cloud communication
- Wide Operating temperature: -40 ~ 70°C



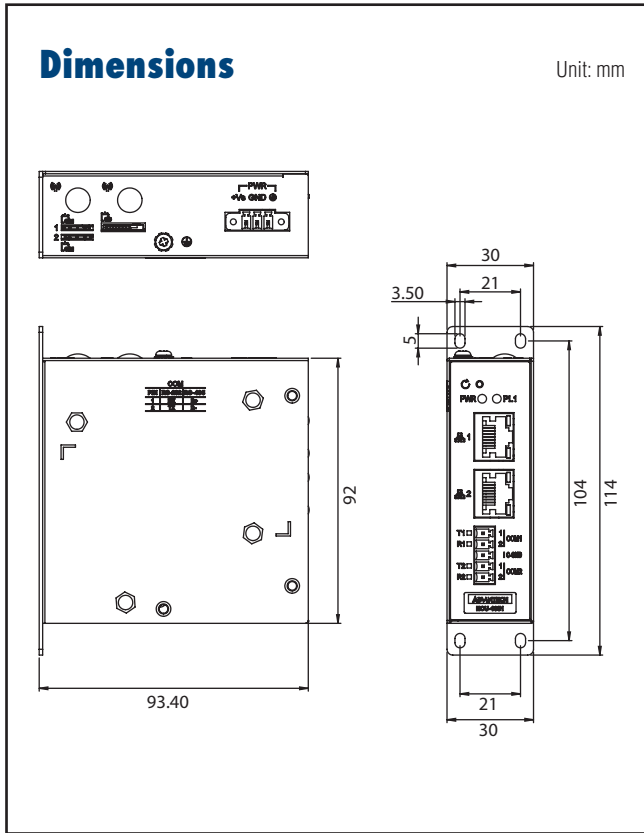
Introduction

For facility monitoring, distributed solar power, smart factory sector, especially cloud based applications which require a total wireless and Ethernet communication solutions, Advantech has released the ECU-1051 RISC-based industrial communication gateway. ECU-1051 has an open platform design with Cortex A8 processor, two 10/100 Ethernet ports and operating temperature range of -40~70°C. With Linux operating system and EdgeLink IoT software, ECU-1051 enable system integrators to develop applications which precisely fit their need.

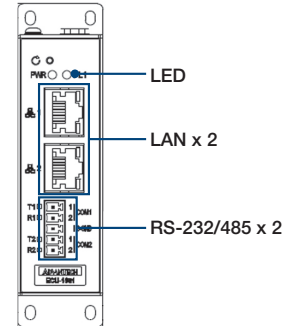
Specifications

	ECU-1051TL-R10AAE	ECU-1051TL-R10AB	ECU-1051TL-R10ABU	ECU-1051E-R10AAE	
System	CPU	TI Cortex A8, 600MHz		TI Cortex A8, 300MHz	
	RAM	DDR3L 256MB		DDR3L 128MB	
	Storage	512MB NAND			
	SD Slot	1 x Micro-SD			
	SIM Slot	2 x Nano SIM		1 x Nano SIM	
	LED Indicators	Power, LAN (LINK, ACT), Programmable			
	Real Time Clock	Yes			
	Watchdog Timer	Yes			
TPM	NA				
I/O Interfaces	Serial Ports	2 x RS-232/485 (isolation optional), 5-Pin Terminal Block, 50 - 115.2kbps	2 x RS-232/485 (isolation 3000V _{ac}) 5-Pin Terminal Block, 50 - 115.2kbps	2 x RS-232/485 (isolation optional) 5-Pin Terminal Block, 50 - 115.2kbps	
	LAN Ports	2 x 10/100 Base-T Ethernet (RJ45)			
	USB Ports	NA	1 x USB 2.0	NA	
	Displays	NA			
	Mini-PCIE	1x Mini-PCle (Full-size) for Wireless Module Signal: USB 2.0			
EdgeLink	Protocol Support	SouthBound	NorthBound		
		IEC 61850 MMS Client*	IEC 61850 MMS Server*		
		IEC 61850 GOOSE Client*	IEC 61850 GOOSE Server*		
		IEC 60870-5-101	Modbus Server		
		IEC 60870-5-103	IEC 60870-104 Server		
		IEC 60870-5-104	WASCADA (WebAccess)		
		DL/T 645-2007	BACnet Server		
		DL/T 645-1997	OPC UA Server		
		IEC 62056-21	Data Transfer		
		ODBC			
		JDBC			
		OPCUA Client			
		BACnet IP			
		BACnet MS/TP			
	SNMP				
Modbus Client					
PLC driver support	200+ PLC drivers ABB/Advantech/Allen-Bradley/BECKHOFF/ DELTA/FATEK/GE/Honeywell/Keyence/Mitsubishi/Omron/Panasonic/Schneider/Sharp/Siemens/Toyopuc/Wago 750/Yaskawa/Yokogawa				
Programming Support	IEC 61131-3, Linux C, Python				
Configuration Tool	EdgeLink Studio				
Data Monitoring	2000 Tags MAX.		500 Tags MAX.		
Cloud Connectivity(MQTT)	EdgeHub, IoTSuite, Azure, AWS, Google Cloud IoT Core and more				
Database Transmission	SQL Server, MySQL, ORACLE, FTP Server				
VPN	Open VPN				
General	Certification	CE, FCC, UKCA			
	Dimensions (W x D x H)	93.7 x 92 x 30mm			
	Form Factor	Small Size			
	Enclosure	SGCC			
	Mounting	Wall-Mount/DIN-Rail			
	Weight(Net)	0.6kg			
	Power Requirement	10 - 30 V _{dc}			
	Power Consumption	1.2W @ 24V _{dc}			
	Power Connector	1 x 3-Pin Terminal Block			
	Operating Temperature	-40~70°C			
Environment	Storage Temperature	-40~85°C			
	Relative Humidity	95% (non-condensing)			
	Ingress Protection	IP30			
	Vibration Protection	2Grms, Random/Sine, 5 - 500Hz			

* Please refer to the EdgeLink specification for further details. Activation of the IEC-61850 protocol requires an additional fee.

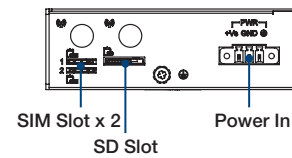


Front View

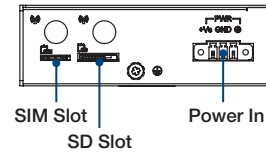


Top View

ECU-1051



ECU-1051E



Ordering Information

Part Number	CPU	RAM	NAND	OS	IoT Software	TPM 2.0	LAN	COM	USB	Console	Country of Origin
ECU-1051TL-R10AAE	TI Cortex A8, 600MHz	DDR3L 256MB	512MB	Yocto	EdgeLink	N/A	2	2	0	3pin COM on board	China
ECU-1051TL-R10AB									1		China
ECU-1051TL-R10ABU									1		Taiwan
ECU-1051E-R10AAE	TI Cortex A8, 300MHz	DDR3L 128MB						0		China	

Optional Accessory

Cellular Module and Antenna

- 96PD-EC25EFA LTE Module Cat. 4, Mini-PCIe for EU,TW,IN,KR,SEA
- 96PD-EC25JFA LTE Module Cat. 4, Mini-PCIe for JP
- 96PD-EG25GGB LTE Module Cat. 4, Mini-PCIe for Global
- 1750006264 SMA(F) Cable, 15 cm
- 1750005865 Dipole Antenna, 11 cm
- 96PD-MDG200AU0 AMIC 4G.Cat4 Socket Modem(US)
- 1750006264 SMA(F) Cable, 15 cm
- 1750008303-01 Antenna, 13cm

Wifi Module and Antenna

WiFi

- 96PD-RYWU131A1 WiFi 4 2.4GHz mPCIe with Antenna and cable

WiFi+BT:

- EWM-W172H01E 802.11ac/a/b/g/n 2T2R Wi-fi + Bluetooth 4.2 Half
- 1750008717-01 WiFi 2.4GHz+5GHz dipole antenna
- 1750006043 SMA(M) Coaxial Cable, 150 mm
- 9656EWMG00E Half-size miniPCIe to miniPCIe bracket set

Micro SD Card

- 96FMMSDI-4G-ET-AT1 ATP 4G MICRO SD CARD I-GRD SLC(G)
- 96FMMSDI-8G-ET-AT1 ATP 8G MICRO SD CARD I-GRD SLC(G)

DIN-Rail Power Supply

- 96PSD-A20W24-MM A/D 100-240V 20W 24V Power Supply
- PSD-A40W24 DIN RAIL A/D 100-240V 40W 24V Power Supply

Adapters and Power Cables

- 96PSA-A60W24T2-3 AC100-240V to DC24V, 60W Adapter, C14 CORD END 2PIN
- 1702002600 Power cable (US) 1.8 M
- 1702002605 Power cable (EU) 1.8 M
- 1702031801 Power cable (UK) 1.8 M
- 1700000596 Power cable (China/Australia) 1.8 M