

EKI-6333BE-4GD

Industrial Wi-Fi 7 Access Point

Preliminary



Features

- Supports 802.11be MU-MIMO 2x2x2 (Backward compatible with 802.11a/b/g/n/ac/ax)
- Enjoy smooth streaming and roaming with speeds of 5.8 Gbps on 6 GHz, 2.9 Gbps on 5 GHz, and 700 Mbps on 2.4 GHz
- Supports secure access with WEP, 802.1x, WPA/WPA2/WPA3-Personal, WPA/WPA2/WPA3-Enterprise
- 4 ultra-fast 2.5GBASE-T RJ45 Ethernet ports, IEEE 802.3bz compliant
- -40 to 75 °C Wide temperature design

Introduction

The EKI-6333BE-4GD is an industrial-grade wireless access point featuring Wi-Fi 7 with 2x2x2 MU-MIMO for high-speed and reliable connectivity. It supports Multi-Link Operation (MLO), enabling data transmission across multiple frequency bands simultaneously, improving throughput and reducing latency, which is crucial for real-time applications.

With its DIN-rail mount and wide temperature range (-40°C to 75°C), the EKI-6333BE-4GD is designed for harsh industrial environments. The redundant dual power inputs provide continuous operation, ensuring reliable performance even during power failures.

The EKI-6333BE-4GD also supports protocols like STP, WMM, making it ideal for high-traffic environments. WPA3 encryption ensures advanced security, protecting sensitive data from breaches.

With its MLO capabilities, robust design, and high performance, the EKI-6333BE-4GD is the perfect choice for demanding industrial applications such as automation, monitoring, and surveillance.

Specifications

Ethernet Communications

- **Port Type** RJ45
- **No. of Ports** 4
- **Speed** 100/1000/2500 Mbps

Wireless LAN Communications

- **Compatibility** 2.4GHz: IEEE 802.11 b/g/n/ax/be
5GHz: IEEE 802.11 a/n/ac/ax/be
6GHz: IEEE 802.11 be
- **Speed** 2.4GHz: 700Mbps
5GHz: 2900Mbps
6GHz: 5800Mbps
- **Network Mode** Infrastructure
- **Free Space Range** Open space 100 m
- **Wireless Security** WEP, WPA/WPA2/WPA3-Personal, WPA/WPA2/WPA3-Enterprise

Software

- **Management** Telnet, FTP, SNMP, Web UI, SSH
- **Wireless** Radio on/off, WMM, output power control, beacon interval, RTS/CTS threshold, DTIM interval
- **Operation Modes** Access point mode, client, repeater
- **Configuration** Web browser
- **Protocol** ARP, ICMP, IPv4, IPv6, TCP, UDP, DHCP client, DHCP server, Auto IP, Telnet, DNS, SNMP, HTTP, DMZ, PPPoE, VPN passthrough, Telnet server, SSH server, FTP server, QoS

Antenna

- Default with 6 x external omni antenna
- 6 x Reverse SMA connectors for SMA antenna

General

- **LED Indicators** Power: On/Off
2.4G: Link/Active
5G: Link/Active
6G: Link/Active

Data Rates

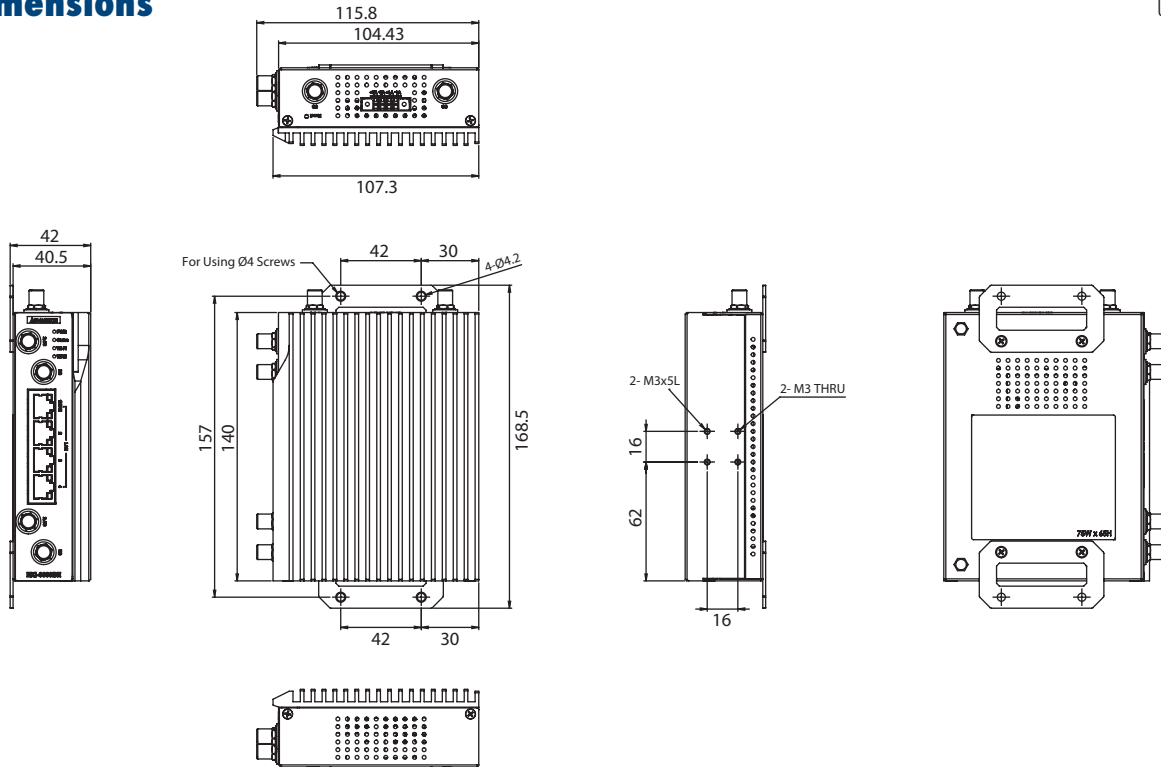
- **802.11b** 11M, 5.5M, 2M, 1Mbps
- **802.11a/g** 54M, 48M, 36M, 18M, 12M, 9M, 6Mbps
- **802.11n** HT20 MCS0-15 / HT40 MCS0-15
- **802.11ac** VHT80 MCS0-9
- **802.11ax** 2.4 GHz: 9 to 1,148 (MCS0 to MCS11, NSS = 1 to 4)
5 GHz: 18 to 2,400 (MCS0 to MSC11, NSS = 1 to 4)
6 GHz: 18 to 4,800 (MCS0 to MSC13, NSS = 1 to 4)
- **802.11be** 2.4 GHz: Max 700 (MCS0 to MCS11, NSS = 1 to 4)
5 GHz: Max 2,900 (MCS0 to MSC11, NSS = 1 to 4)
6 GHz: Max 5,800 (MCS0 to MSC13, NSS = 1 to 4)

Mechanics

- **Enclosure** Metal shell with solid mounting kits
- **Mounting** DIN-rail, Wall
- **Dimensions (W x H x D)** 140 x 107.3 x 42 mm
- **Weight** 1.2kg
- **IP rating** IP30

Dimensions

Unit: mm



Power Requirements

- **Power Input** 12 ~ 48 V_{DC}, redundant dual inputs
- **Power Connector** Terminal block
- **Power Consumption** 18W

Environment

- **Operating Temperature** -40 ~ 75 °C (-40~167°F)
- **Storage Temperature** -40 ~ 85°C (-40 ~ 185°F)
- **Operating Humidity** 10 ~ 95% RH

Regulatory Approvals

- **EMC** CE, FCC part 15 subpart B

Ordering Information

- **EKI-6333BE-4GD-A*** 802.11 a/b/g/n/ac/ax/be Wireless AP/Client
* Package includes 6 x antenna and 1 x Wall mount, 1 x din-rail kit.
- **RPS-ICR4-WR2-M** Wall mount Power supply, 12 V/1.5 A, EU, UK, US, AUS plugs