

EPC-B5505

Embedded System with 4 PCIe Expansion Slots



Features

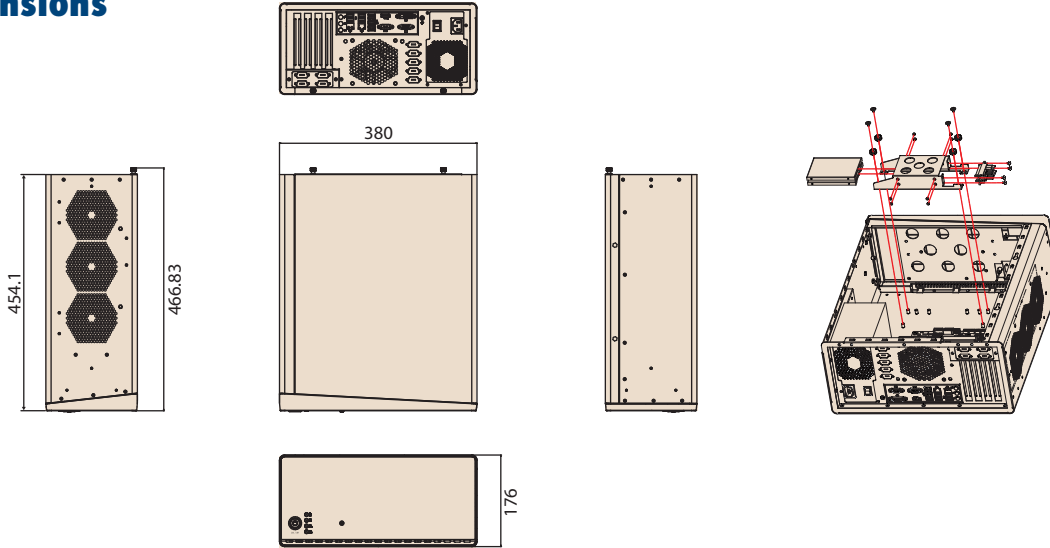
- 4U Embedded System for Micro-ATX motherboard
- Up to 4 PCIe Expansion Slots
- 2 Shock Resistant 2.5" drive bays
- To accommodate 300W PSU for different applications
- Plentiful IO Ports for Various Applications

Specifications

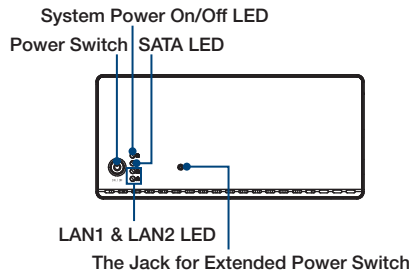
| | | |
|--------------------------|----------------------------------|---|
| Model Name | EPC-B5505 | |
| Motherboard | AIMB-505G2-00A1E | |
| Dimensions (W x H x D) | Dimensions (W x H x D) | 380 x 176 x 454.1 mm |
| System Thermal Design | CPU Cooler | CPU cooler |
| | PSU | 300W |
| | System Fan | One |
| Environmental Conditions | Operating Temperature | 0 ~ 40 °C |
| | Non-operating Temperature | -20 ~ 60 °C |
| | Humidity | 10 ~ 95% @ 40 °C, non-condensing |
| | Vibration (5 ~5 00Hz) | 3Grms (w/o Expansion Cards) |
| CPU | CPU | i7-7700/ i7-7700T i7-6700 i7-6700TE i5-7500/ i5-7500T i5-6500 i5-6500TE i3-7101/ i3-7101TE i3-6100 i3-6100TE Pentium G4400/ G4400TE Celeron G3900/ G3900TE |
| Chipset | Chipset | H110 |
| Storage | Storage Bay | 2 x 2.5" HDD/SSD |
| Front IO | Power switch | 1 |
| | LED | 1 Power LED 1 HDD LED 2 LAN LED |
| | Power remote Jack | 1 2.5Φ Jack |
| Rear IO (By Motherboard) | Display ports | VGA x1, DVI x1, DP x1 (Only Two Independent Displays) |
| | USB | 4 USB3.2 Gen2 x1 4 USB2.0 |
| | Serial port | 1 COM |
| | LAN | 2 RJ45 GbE |
| | Audio | 1 Mic-in, 1 Line-out |
| Certification | EMC / Safety / Certifications | CE & FCC (ClassB EMC) / CCC |
| Power Requirements | 300W ATX / AT mode | |
| Weight | Weight | 15.5 |
| PCIe Expansions for 300W | 1 PCIe x16 2 PCIe x1 1 PCI | |

Dimensions

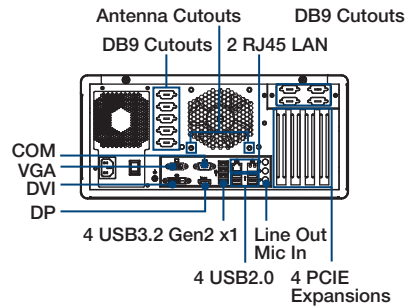
Unit: mm



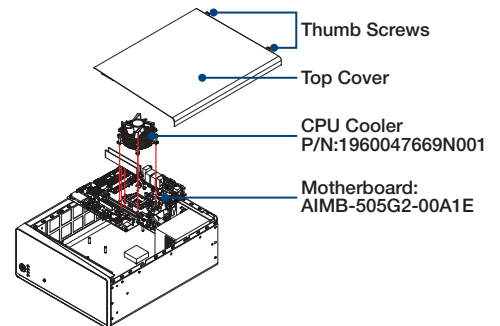
Front View



Rear View



Inside



Ordering Information

| Model | PSU | Chipset | UDIMM 288-Pin Slot | 2.5" SATA Bay | Rear IO | | | | | | | Expansion | | |
|-----------------------------|------|---------|--------------------|---------------|--------------|-----|-----|-----|----------------|--------|-----|-----------|---------|----------|
| | | | | | Display Port | DVI | VGA | GbE | USB3.2 Gen2 x1 | USB2.0 | COM | PCI | PCIe x1 | PCIe x16 |
| EPC-B5505-AB00000 Bare-bone | 300W | H110 | 2 | 2 | 1 | 1 | 1 | 2 | 4 | 4 | 1 | 1 | 2 | 1 |

Remarks
Bare-bone, NO CPU, NO RAM, NO Storages

Packing List

| Item | Part Number | Quantity |
|-------------------------------------|----------------|----------|
| CPU Cooler | 1960047669N001 | 1 |
| 2.5" Storage Metal Tray | 1960106298N000 | 1 |
| SATA2 Cable | 1700032173-01 | 1 |
| SATA1 Cable | 1700032174-01 | 1 |
| Screw M3x4 To Fix SATA Cable | 193B030430 | 4 |
| Screw M3x6 To Fix 2.5" Storage Tray | 1930004828 | 4 |
| Rubber for 2.5" Storage Tray | 1990001365 | 4 |
| Screw M3*4 To Fix 2.5" Storage | 1930005836-01 | 8 |
| Adhesive backed mount | 1990025684S000 | 1 |
| CABLE TIE (P.G. GT-160M) | 1992822010 | 4 |

Optional Accessory

| Item | Part Number | Description |
|-------------|-----------------|---|
| Power Cable | 1700000596-11 | Power cable 3-pin 183cm, China type |
| | 1702031801 | Power cable 3-pin 183cm, UK type |
| | 1702002600 | Power cable 3-pin 183cm, USA type |
| | 1702002605 | Power cable 3-pin 183cm, Europe type |
| | 1700000237-01 | Power cable 3-pin 183cm, Japan type |
| Bracket | EPC-BRKB5-CARD | Metal Brackets for PCIe Expansion Cards |
| | EPC-BRKB5-RACK | EPC-B5000 Rack Mount Bracket |
| COM Cable | EPC-CABB5-COM05 | EPC-B5505 COM cable peripheral (1 1to1 DB-9 cable, 1 1to4 DB-9 cable) |

Embedded OS/API

| OS/API | Part Number | Description |
|--------|-------------------------|-------------|
| WES7E | 2070014651 | Image WES7E |
| WE8.1 | 2070014658 | Image WE8.1 |
| Win 10 | 2070015047 / 2070015048 | image W10 |